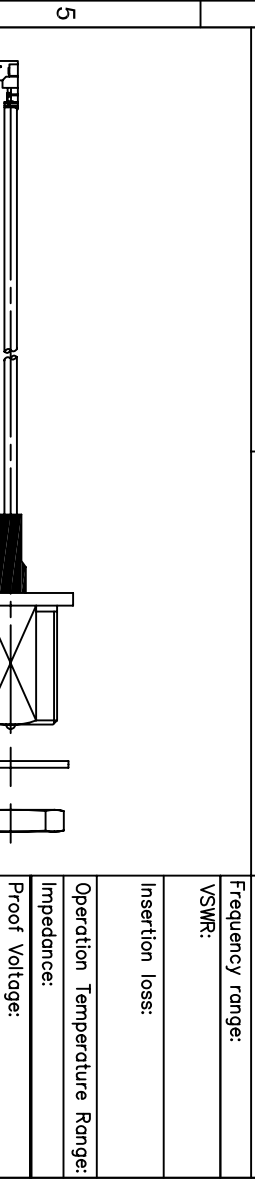


Pos.	pcs	Description	Type-No./Contents	Remark
①	1	I-PEX MHF Plug	20278-112R-32	
②	1	FME bulkhead Plug	6682.72.1310.049	
③	1	1.32-MIT single shield coaxial cable		Color: Gray
④				
⑤	1	Heat shrink		
⑥				
⑦				
⑧				

No. of cable	Pos.

Stripping dimension	Stripping dimension	Remarks
POS. ①	POS. ②	Pos. 1 Outer: Inner: Pos. 2 Outer: Inner:
		Frequency range:
		VSWR:
		Insertion loss:
		Operation Temperature Range:
		Impedance:
		Proof Voltage:

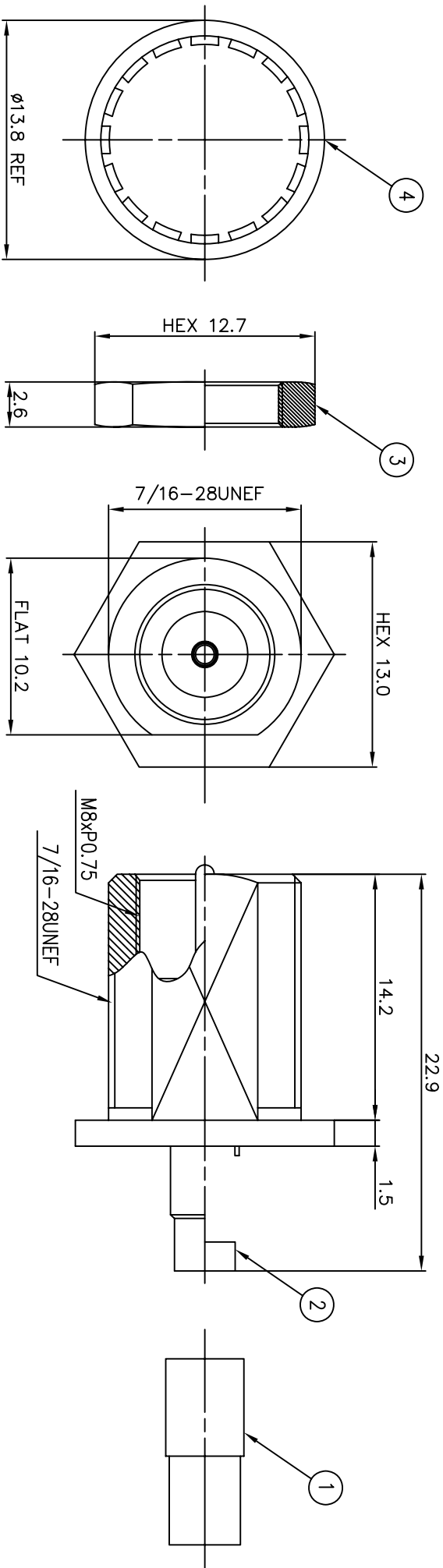


Pos.	pcs	Cable -No	customer part-no.	Cable-tyr	cable color	Total length (L)
③	1	K-6422		OD=Ø1.32	Gray	L=200±5mm
	1					
	1					

		General Tolerance AA-CS-12		scale:	
Customer:		Customer drawing no:		Customer:	
RF Cable Assembly		Customer drawing no:		Customer:	
AA-CS-12		date 02.04.09		name Dony, MI	
generated		checked		norm	
date		date		date	
rev.		alteration		date	
nr.		alteration		date	
Rev. A		K-6422		Rev. A	

preliminary

Note: the orientation on drawing is for reference only.



RECOMMENDED MOUNTING HOLE

preliminary

NO	Part	Material	Surface
1	ferrule	brass	nickel
	insulator	TEFLON	none
2	body	brass	nickel
	pin	brass	gold
3	nut	brass	nickel
4	washer	brass	nickel

scale: 4:1

Assembly instruction:
Stripping dimension:

FME Straight Bulkhead Plug Crimp

6682.72.1310.049'

Rev.
A

1.6	fixed at galv	YES	NO	X
	packing	No. :		
working piece edges: DIN-6784	Quantity:	No. :		
() design dimension	critical dimension to be checked at acceptance: DIN-406			

IMBS CONNECTOR
SYSTEMS

General Tolerance
ISO2768 mH

generde	date	name
checked	02.04.09	Dony Ni
Norm		

nr.	rev.	alteration	date	name