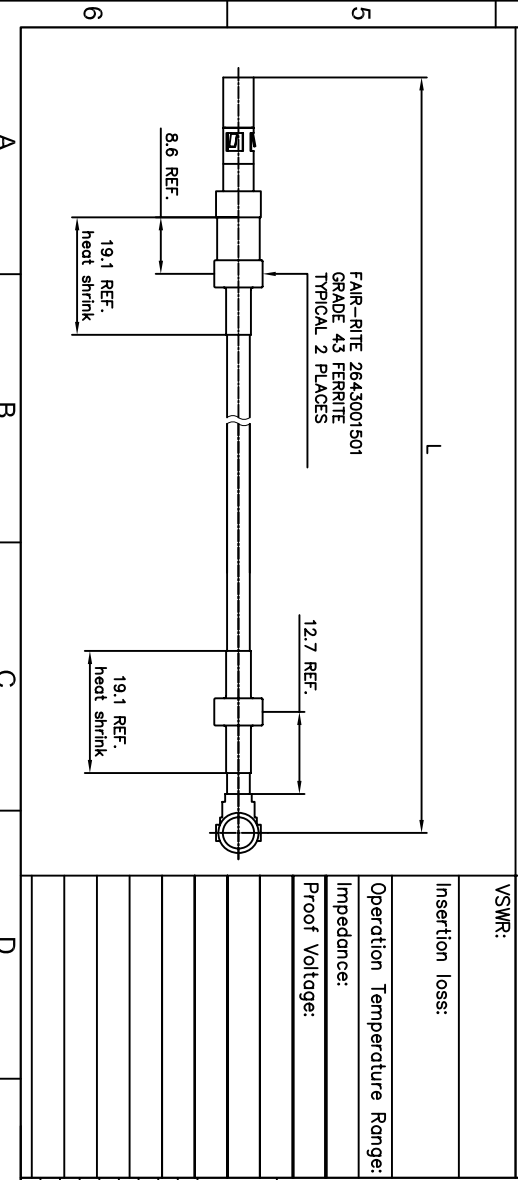
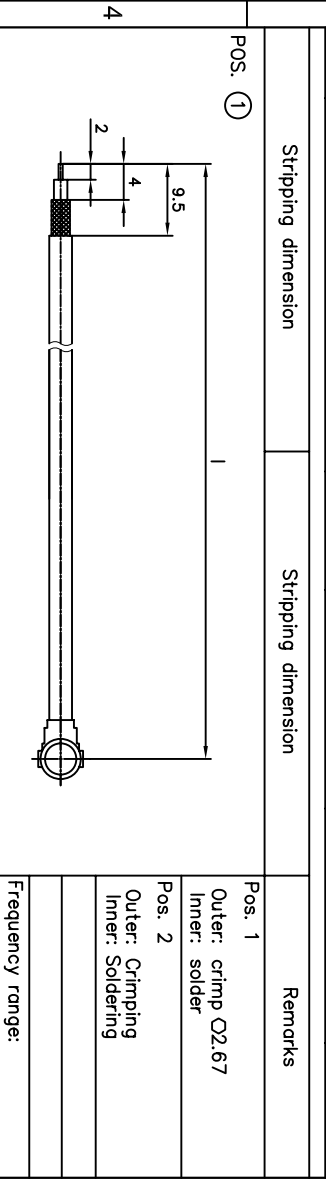


Pos.	pcs	Description	Type-No./Contents	Remark
①	1	Cable mount jack	2643.MC.2310.043	
②	1	Connector		I-PEX number: 20351-112R-37
③	1	Cable		look at table (right)
④	1	Heat shrink	φ3.2, Black (1135563) ②	L=19.1mm
⑤	1	Heat shrink	φ3.2, Black (1135563) ②	L=19.1mm
⑥				
⑦	1	Fair-Rite	2643001501	
⑧	1	Fair-Rite	2643001501	

No. of cable	Pos.



Pos.	pcs	Cable -No	customer part-no.	Cable-tyr	cable color	Cut length (l)	Total length (L)
③	1	K-6412-01	6559	OD=φ1.37	black	l=98 <sup>+1</sup> mm	L=108 <sup>+1</sup> mm
	1						
	1						

Pos. 1	Remarks
Pos. 1	Outer: crimp Q2.67 Inner: solder
Pos. 2	Outer: Crimping Inner: Soldering
	Frequency range:
	VSWR:
	Insertion loss:
	Operation Temperature Range:
	Impedance:
	Proof Voltage:

		General Tolerance AA-CS-12		scale:	
design	rev.	update	date	name	Customer drawing no:
B		heat shrink	05.07.10	Dony, NI	RF Cable Assembly
					K-6412-XX
					Rev. B