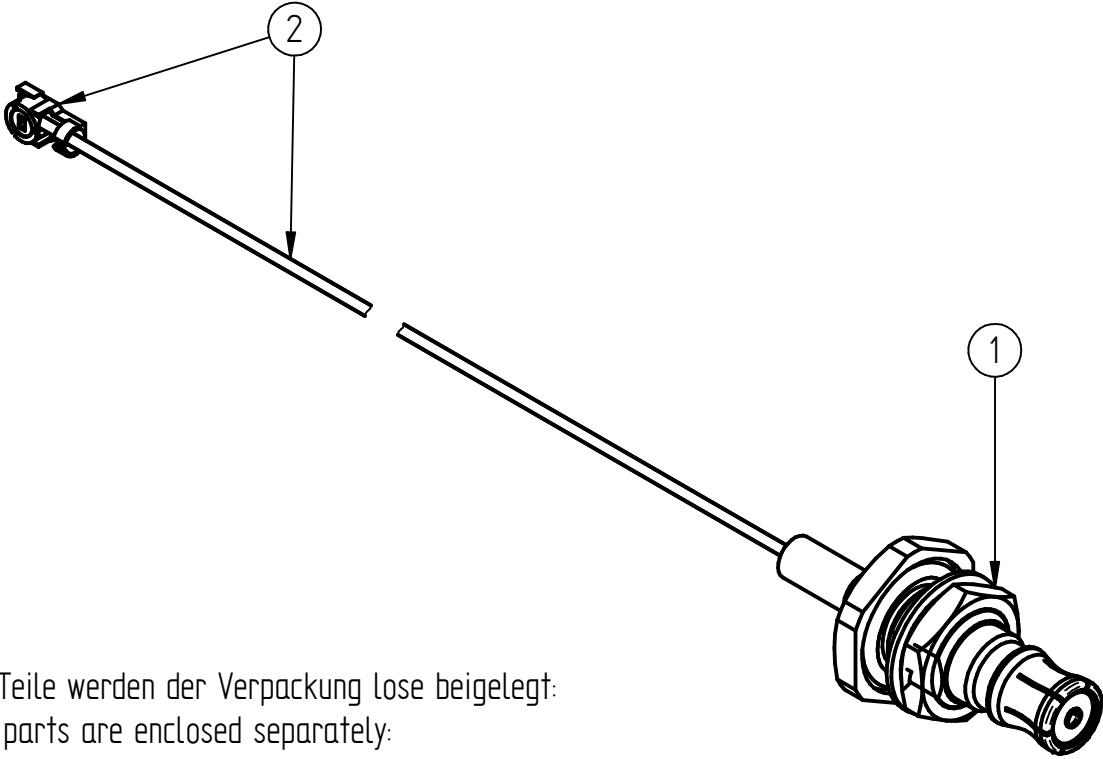
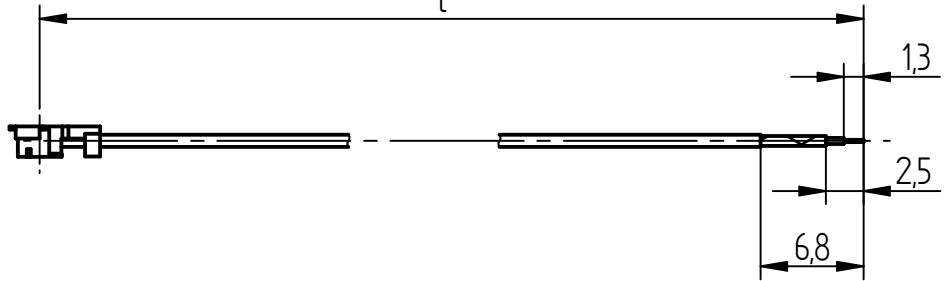
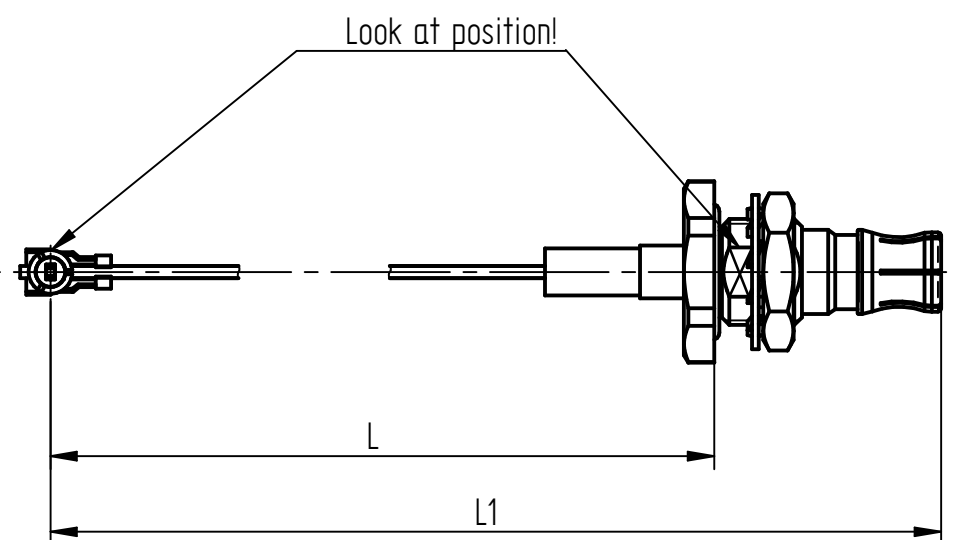
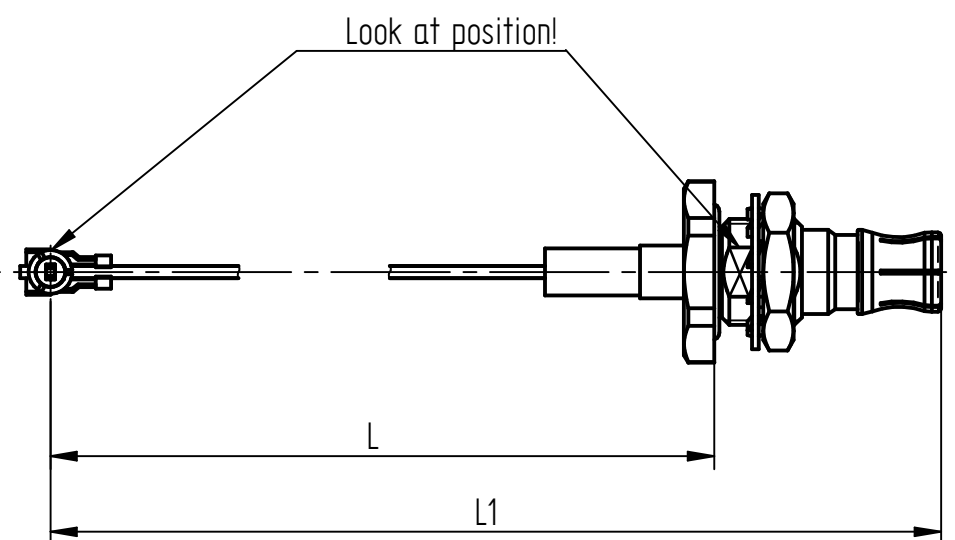
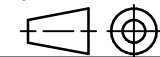



ISO 16016  
All copyrights reserved. This drawing can neither be copied nor made available to third parties or competitor companies without our written permission.

1	2	3	4	5	6	7	8																																																																																		
<table border="1" style="width: 100%; border-collapse: collapse;"> <thead> <tr> <th style="width: 5%;">Pos.</th> <th style="width: 5%;">Pcs.</th> <th style="width: 30%;">Description</th> <th style="width: 20%;">Type-No.</th> <th style="width: 40%;">Remark</th> </tr> </thead> <tbody> <tr> <td>①</td> <td>1</td> <td>QLS(f)-Kabelbuchse QLS(f)-cable mount jack</td> <td>5709.QLS.2312.045 (1080582)</td> <td></td> </tr> <tr> <td>②</td> <td>1</td> <td>Cable</td> <td>See chart on the right side!</td> <td></td> </tr> <tr> <td>③</td> <td></td> <td></td> <td></td> <td></td> </tr> <tr> <td>④</td> <td></td> <td></td> <td></td> <td></td> </tr> <tr> <td>⑤</td> <td></td> <td></td> <td></td> <td></td> </tr> <tr> <td>⑥</td> <td></td> <td></td> <td></td> <td></td> </tr> <tr> <td>⑦</td> <td></td> <td></td> <td></td> <td></td> </tr> </tbody> </table>				Pos.	Pcs.	Description	Type-No.	Remark	①	1	QLS(f)-Kabelbuchse QLS(f)-cable mount jack	5709.QLS.2312.045 (1080582)		②	1	Cable	See chart on the right side!		③					④					⑤					⑥					⑦					<table border="1" style="width: 100%; border-collapse: collapse;"> <thead> <tr> <th style="width: 5%;">③ Pcs.</th> <th style="width: 15%;">Cable</th> <th style="width: 15%;">Cable-type</th> <th style="width: 10%;">Part No. IMS</th> <th style="width: 10%;">Cable-length L</th> <th style="width: 10%;">Length L</th> <th style="width: 10%;">Length L1</th> </tr> </thead> <tbody> <tr> <td>1</td> <td>K-3246-01</td> <td>IPEX MHF4 - 200 mm</td> <td>(1129415)</td> <td>97,45±2</td> <td>100±5</td> <td>115±5</td> </tr> <tr> <td>1</td> <td>K-3246-02</td> <td>IPEX MHF4 - 600 mm</td> <td>(1128793)</td> <td>297,45±2</td> <td>300±5</td> <td>315±5</td> </tr> <tr> <td>1</td> <td>K-3246-03</td> <td>IPEX MHF4 - 200 mm</td> <td>(1129415)</td> <td>47,45±2</td> <td>50±5</td> <td>65±5</td> </tr> <tr> <td>1</td> <td>K-3246-04</td> <td>IPEX MHF4 - 200 mm</td> <td>(1129415)</td> <td>92,45±2</td> <td>75±5</td> <td>90±5</td> </tr> <tr> <td>1</td> <td>K-3246-05</td> <td>IPEX MHF4 - 200 mm</td> <td>(1129415)</td> <td>87,45±2</td> <td>90±5</td> <td>105±5</td> </tr> </tbody> </table>				③ Pcs.	Cable	Cable-type	Part No. IMS	Cable-length L	Length L	Length L1	1	K-3246-01	IPEX MHF4 - 200 mm	(1129415)	97,45±2	100±5	115±5	1	K-3246-02	IPEX MHF4 - 600 mm	(1128793)	297,45±2	300±5	315±5	1	K-3246-03	IPEX MHF4 - 200 mm	(1129415)	47,45±2	50±5	65±5	1	K-3246-04	IPEX MHF4 - 200 mm	(1129415)	92,45±2	75±5	90±5	1	K-3246-05	IPEX MHF4 - 200 mm	(1129415)	87,45±2	90±5	105±5
				Pos.	Pcs.	Description	Type-No.	Remark																																																																																	
				①	1	QLS(f)-Kabelbuchse QLS(f)-cable mount jack	5709.QLS.2312.045 (1080582)																																																																																		
				②	1	Cable	See chart on the right side!																																																																																		
				③																																																																																					
				④																																																																																					
				⑤																																																																																					
				⑥																																																																																					
⑦																																																																																									
③ Pcs.	Cable	Cable-type	Part No. IMS	Cable-length L	Length L	Length L1																																																																																			
1	K-3246-01	IPEX MHF4 - 200 mm	(1129415)	97,45±2	100±5	115±5																																																																																			
1	K-3246-02	IPEX MHF4 - 600 mm	(1128793)	297,45±2	300±5	315±5																																																																																			
1	K-3246-03	IPEX MHF4 - 200 mm	(1129415)	47,45±2	50±5	65±5																																																																																			
1	K-3246-04	IPEX MHF4 - 200 mm	(1129415)	92,45±2	75±5	90±5																																																																																			
1	K-3246-05	IPEX MHF4 - 200 mm	(1129415)	87,45±2	90±5	105±5																																																																																			
<table border="1" style="width: 100%; border-collapse: collapse;"> <thead> <tr> <th style="width: 50%;">No. of cable</th> <th style="width: 50%;">Pcs</th> </tr> </thead> <tbody> <tr> <td> </td> <td> </td> </tr> </tbody> </table>				No. of cable	Pcs																																																																																				
No. of cable	Pcs																																																																																								
Stripping dimension		Stripping dimension		Remarks																																																																																					
Pos. ①	Pos. ②	Pos.1 Outer: crimp OSW 2,67 / L=4mm ( AGK-4694 ) Inner: AGK-4694																																																																																							
																																																																																									
				Test-voltage: 500 Veff/50Hz																																																																																					
				Folgende Teile werden der Verpackung lose beigelegt: Following parts are enclosed separately:  Fächerscheibe/ Fan disk Befestigungsmutter/ Coupling nut Dichtring / Gasket																																																																																					
				<table border="1" style="width: 100%; border-collapse: collapse;"> <thead> <tr> <th style="width: 15%;">Change ID</th> <th style="width: 10%;">Rev.</th> <th style="width: 45%;">Alteration</th> <th style="width: 15%;">Date</th> <th style="width: 15%;">Name</th> </tr> </thead> <tbody> <tr> <td colspan="5" style="text-align: center;">Revision history</td> </tr> </tbody> </table>				Change ID	Rev.	Alteration	Date	Name	Revision history																																																																												
Change ID	Rev.	Alteration	Date	Name																																																																																					
Revision history																																																																																									
Projection - ISO 5456		Unit system - Metric		General tolerance		Stripping tolerance		Document type																																																																																	
		All dim. in [mm]		ISO 2768 mH		AA-CS-12 <i>HyperLink</i>		Cable assembly drawing																																																																																	
Created by bgréczi		Approved by Pölz / 22.06.21		Title RF-flexible Cable Assembly		Drawing number K-3246-XX		Scale 2:1																																																																																	
				Supplementary title HF-Leitung Flexibel		Rev.		Date of issue 13.05.2021																																																																																	
				Lang. EN		Sheet 1/1																																																																																			