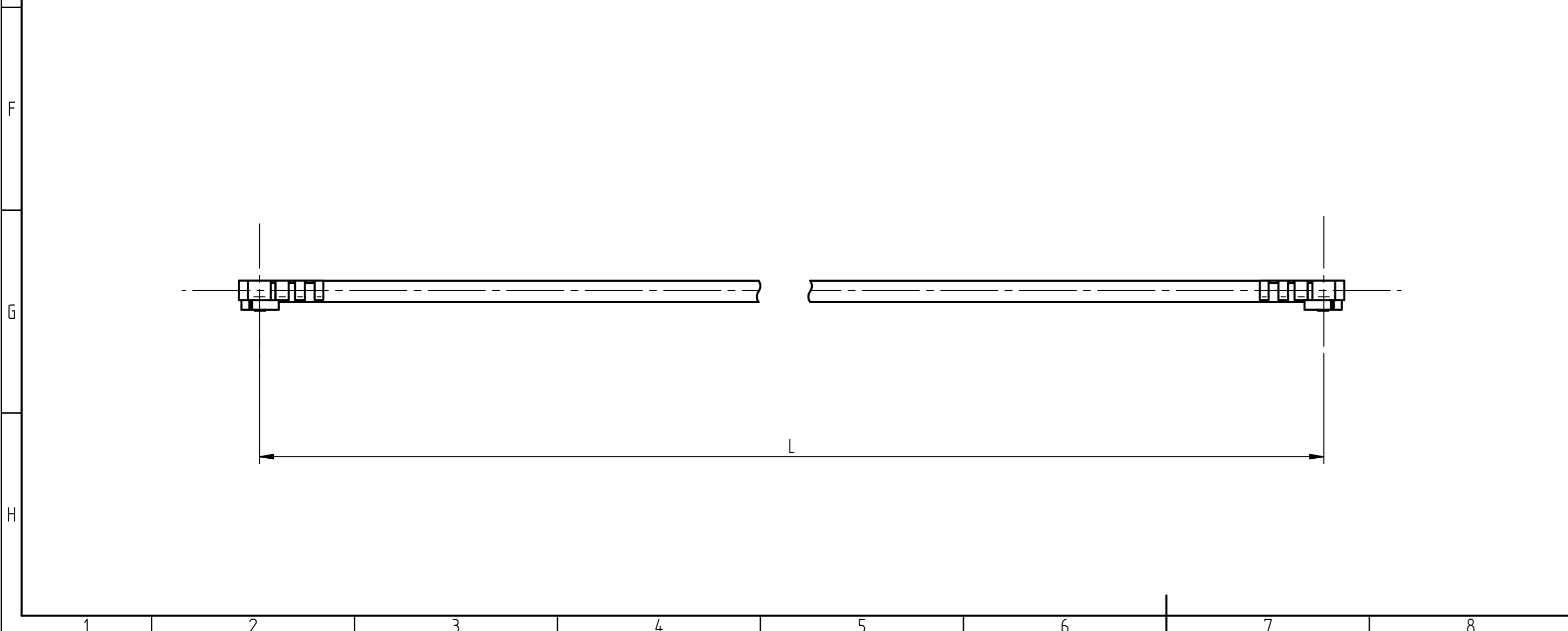
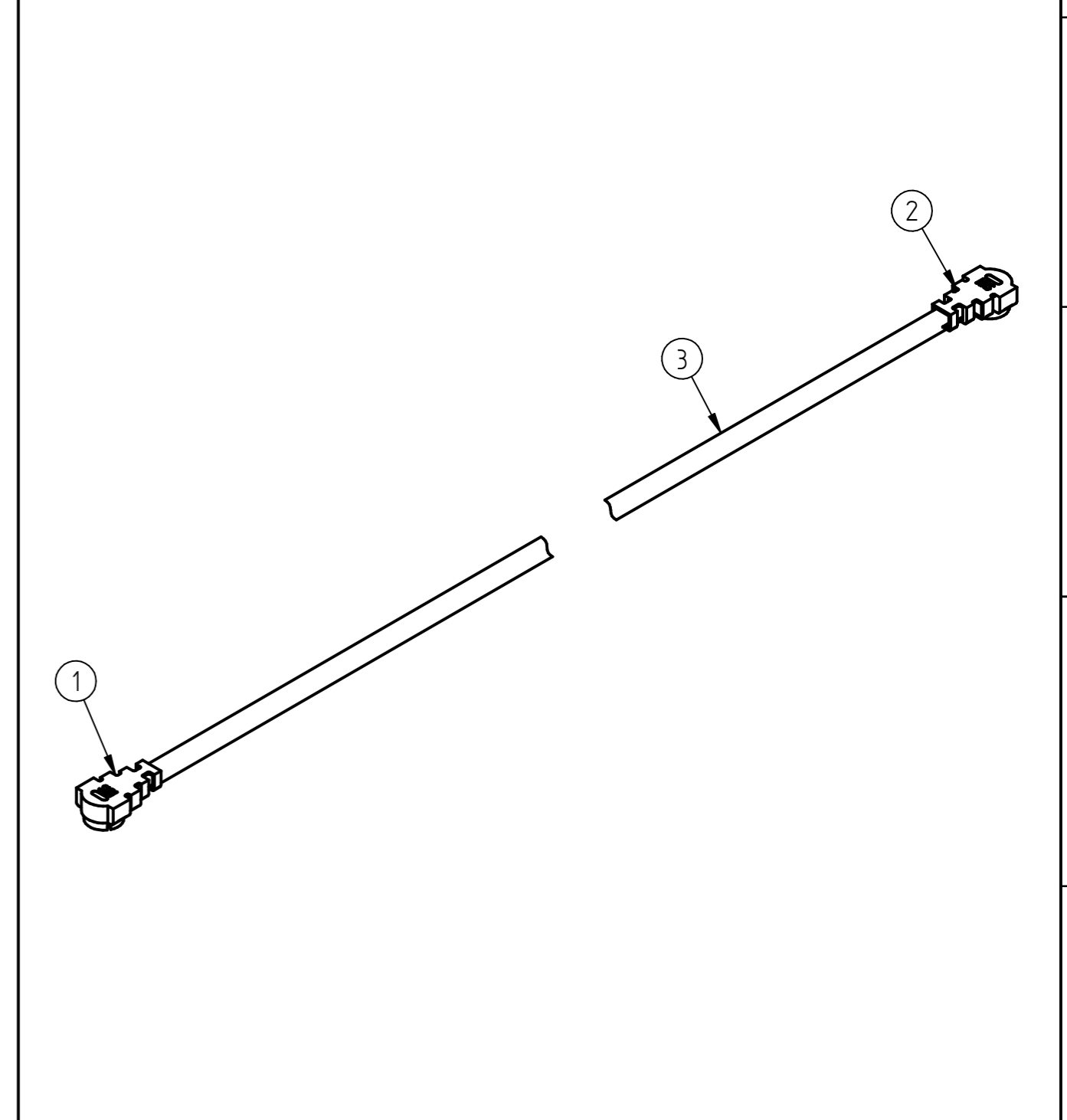


	1	2	3	4	5	6	7	8
	Pcs.	Cable	Cable-type	Part No. IMS	Cable- colour	Lenght L		
A	③	1	K-2743-01	Hirose UFL- 2LPHF6-066N1-A-50	1074037	grau/grey	50±4	
	1	K-2743-02	Hirose UFL- 2LPHF6-066N1-A-70	1074057	grau/grey	70±4		
	1	K-2743-03	Hirose UFL- 2LPHF6-066N1-A-100	1134918	grau/grey	100±4		
	1	K-2743-04	Hirose UFL- 2LPHF6-066N1-A-200	1133839	grau/grey	200±4		
B	1	K-2743-05	Hirose UFL- 2LPHF6-066N1-A-260	1139677	grau/grey	260±8		
	1	K-2743-06	Hirose UFL- 2LPHF6-066N1-A-300	1135808	grau/grey	300±8		
	1	K-2743-07	Hirose UFL- 2LPHF6-066N1-A-360	1139650	grau/grey	360±8		
	1	K-2743-08	Hirose UFL- 2LPHF6-066N1-A-380	1139704	grau/grey	380±8		
	1	K-2743-09	Hirose UFL- 2LPHF6-066N1-A-390	1139809	grau/grey	390±8		
C	1	K-2743-10	Hirose UFL- 2LPHF6-066N1-A-400	1135974	grau/grey	400±8		
	1	K-2743-11	Hirose UFL- 2LPHF6-066N1-A-440	1139731	grau/grey	440±8		
	1	K-2743-12	Hirose UFL- 2LPHF6-066N1-A-500	1138650	grau/grey	500±12		
	f	1	K-2743-13	Hirose UFL- 2LPHF6-066N1-A-550	1139811	grau/grey	550±12	
	1	K-2743-14	Hirose UFL- 2LPHF6-066N1-A-600	1134031	grau/grey	600±12		
D	1	K-2743-15	Hirose UFL- 2LPHF6-066N1-A-800	1138741	grau/grey	800±12		
	1	K-2743-16	Hirose UFL- 2LPHF6-066N1-A-60	1132389	grau/grey	60±4		
	1	K-2743-17	Hirose UFL- 2LPHF6-066N1-A-35	1132796	grau/grey	35±4		
	1	K-2743-18	Hirose UFL- 2LPHF6-066N1-A-1400	1132384	grau/grey	1400±21		
E	g	1	K-2743-19	Hirose UFL- 2LPHF6-066N1-A-700	1122772	grau/grey	700±12	
	h	1	K-2743-20	Hirose UFL- 2LPHF6-066N1-A-120	1127152	grau/grey	120±4	
	i	1	K-2743-21	Hirose UFL- 2LPHF6-066N1-A-150	1127258	grau/grey	150±4	
	j	1	K-2743-22	Hirose UFL- 2LPHF6-066N1-A-1000	1128347	grau/grey	1000±12	
	K01	1	K-2743-23	Hirose UFL- 2LPHF6-066N1-A-1450	1142818	grau/grey	1450±21	

Pos.	Pcs.	Description	Type-No.	Manufacturer
①	1	Koaxial stecker / coaxial connector	UFL-LP-066	Hirose
②	1	Koaxial stecker / coaxial connector	UFL-LP-066	Hirose
③	1	Kabel/Cable	See the chart on the left side	
④				
⑤				
⑥				
⑦				



Change ID	Rev.	Alteration	Date	Name
100042893	K01	New Lenght	19.05.22	NTakacs
EC_129_17	j	New Lenght	05.09.17	KPolgar
EC_117_16	i	New Lenght/Cable typ changed	13.12.16	KPolgar
EC_085_16	h	New Lenght	20.09.16	KPolgar
EC_154_15	g	New Lenght	16.10.15	NTak
EC_125_15	f	Cable changed (-13)	07.08.15	NTak
EC_091_14	e	New Lenght	15.10.14	FFab
EC_119_12	d	New Lenght	15.10.12	AVarga
EC_032_12	c	New Lenght	02.03.12	AVarga
EC_127_11	b	New Lenght	07.11.11	AVarga
EC_085_11	a	New Lenght	22.07.11	AVarga

Revision history				
Projection - ISO 5456	Unit system - Metric	General tolernace	Stripping tolerance	Document type
	ALL dim. in [mm]	ISO 2768 mH	AA-CS-12 <i>HyperLink</i>	Cable assembly drawing
Created by	Approved by	Title	Drawing number	Scale
avarga	Simon / 19.05.2022	RF-flexible Cable Assembly	K-2743-XX	1:1
IMS CONNECTOR SYSTEMS		Supplementary title	Rev.	Date of issue
		HF-Leitung flexibel	K 01	05/05/2011
			Lang	Sheet
			EN	9/1