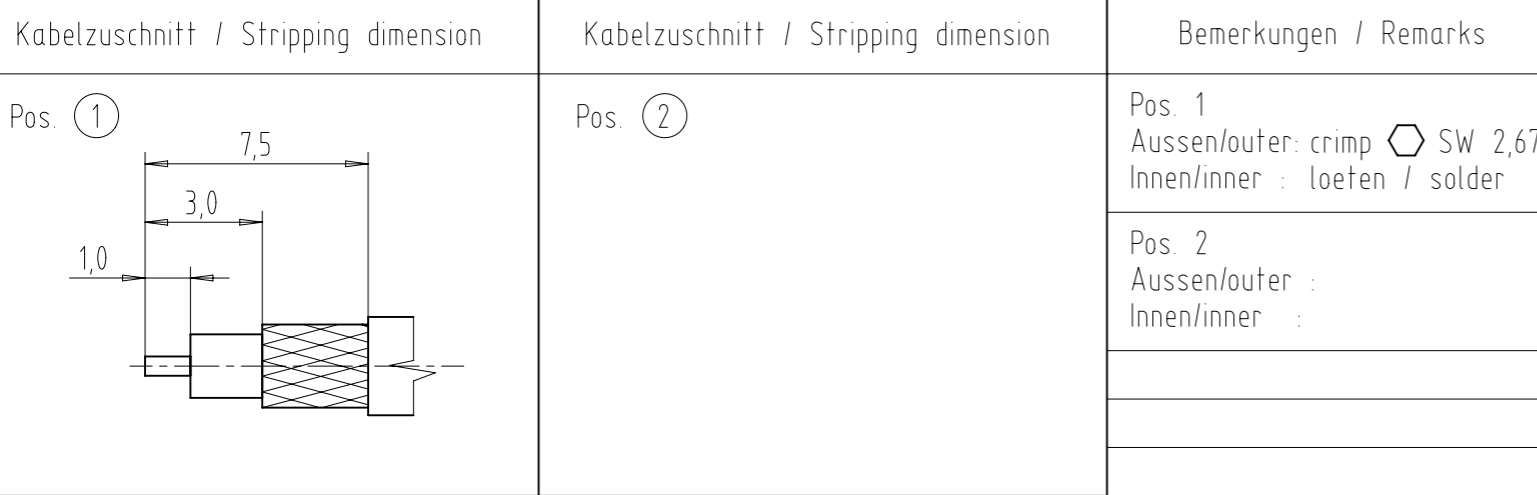
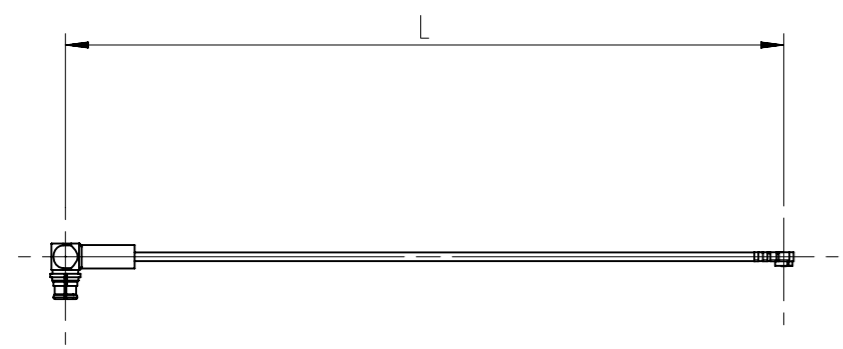


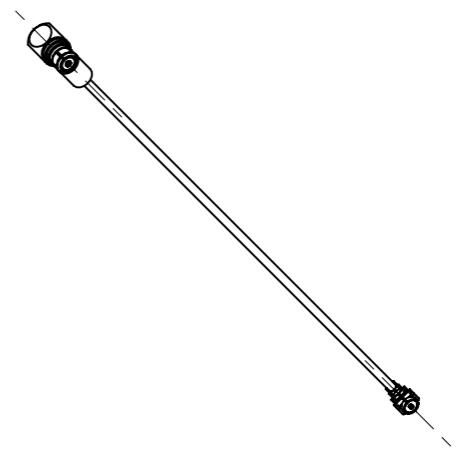
| Stk./ pcs. | Bezeichnung / Description | Typ-Nr. / Type-No. | Bemerkung / Remarks |
|------------|--|---|---------------------|
| ① | Kabelwinkelstecker Cable mount angle plug | 4464.SMP.2420.043 (1078133) | |
| ② | | | Laenge / Length |
| ③ | Kabel Cable | siehe Tabelle rechts! see chart on the right side! | |
| ④ | | | |
| ⑤ | | | |
| ⑥ | | | |
| ⑦ | | | |
| ⑧ | | | |



Pruefspannung: 500Veff / 50Hz
Test voltage : 500Veff / 50Hz



| Stk. pcs. | Kabel Nr. Cable No. | Kunden Art.-Nr. Customer part.No. | Kabeltyp Cable typ | Art.-Nr. IMS Part No. IMS | Zuschnittsl. l Cut lenght l | Gesamtlaenge L Total lenght L |
|-----------|---------------------|-----------------------------------|---------------------|---------------------------|-----------------------------|-------------------------------|
| ③ | 0,5 K-2594-01 | | Hirose U.FI.2LP-200 | (1133839) | 98 ± 1 | 95 ± 2 |
| | | | | | | |
| | | | | | | |
| | | | | | | |
| | | | | | | |
| | | | | | | |
| | | | | | | |
| | | | | | | |
| | | | | | | |
| | | | | | | |
| | | | | | | |
| | | | | | | |
| | | | | | | |
| | | | | | | |



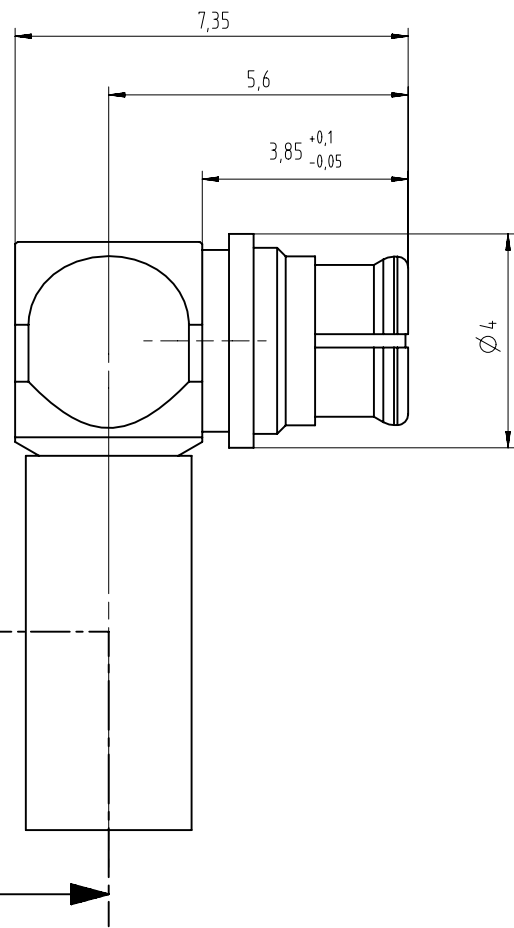
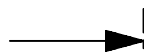
IMS CONNECTOR SYSTEMS

| | | |
|-------------------|---------------|--------------|
| general tolerance | ISO 2768 | AA-CS-12 |
| generate | date 12.12.08 | name Sarfert |
| checked | | |
| Norm | 0534.15 | |

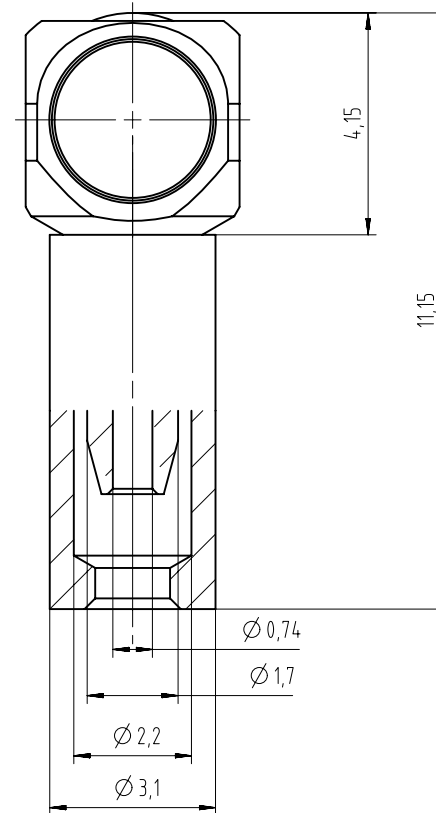
scale:
HF-Leitung Flexibel
RF-flexible Cable Assembly

| | | | | | | |
|-----|------|------------|------|------|-----------|------|
| nr. | rev. | alteration | date | name | K-2594-XX | Rev. |
|-----|------|------------|------|------|-----------|------|

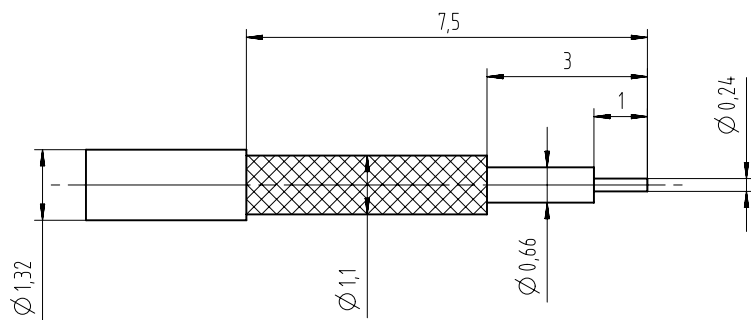
A



Schnitt A-A



Kabelzuschnitt
Stripping dimension
Kabel/Cable: Nissei RF-MF5013.0.D.1.32 (grey)



Nur fuer Anfrage gueltig

| | | | | |
|----------|----------|------------------------|--------|------|
| | | general tolerance | scale: | |
| | | ISO 2768 mH | | |
| generate | date | name | | |
| checked | 28.01.08 | Renz | | |
| Norm | | Kabelwinkelbuchse | | |
| 051485 | | Cable mount angle jack | | |
| | | | | Rev. |
| | | 4464.SMP.2420.04' | | |
| nr. | rev. | alteration | date | name |