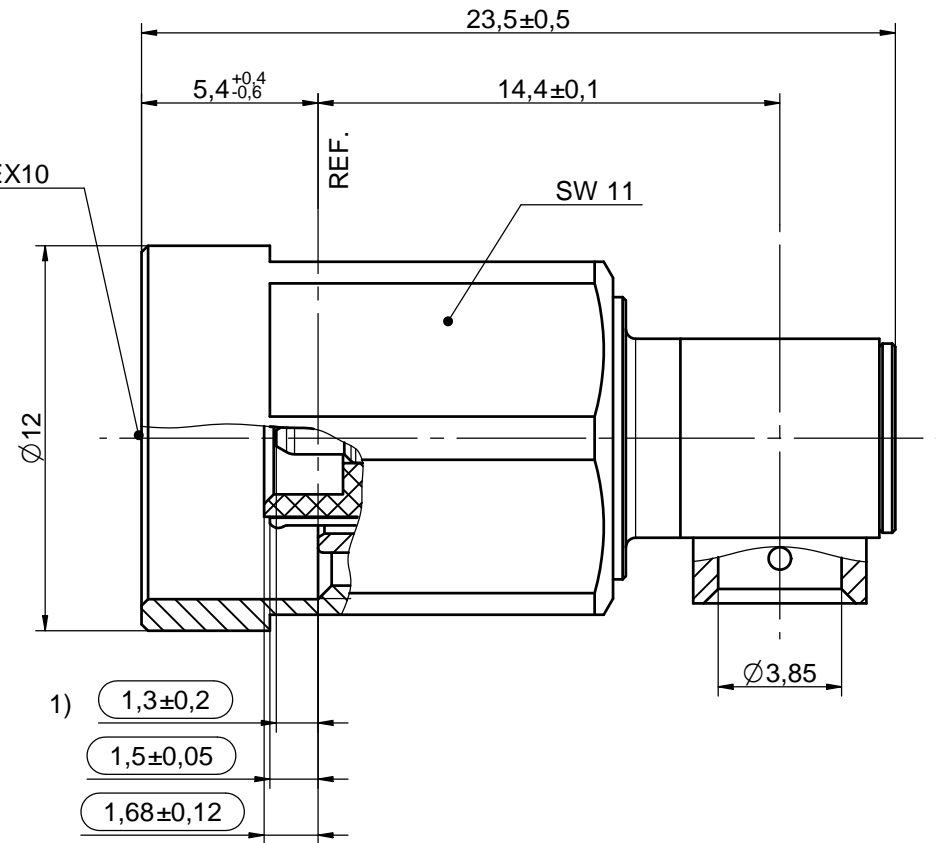


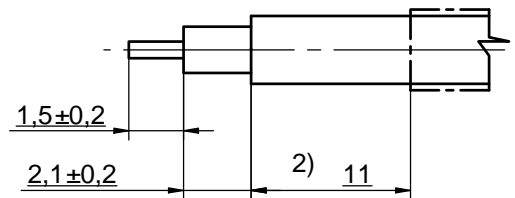
Mating area acc. to NEX10



- 1)  $1,3 \pm 0,2$
- $1,5 \pm 0,05$
- $1,68 \pm 0,12$



recommend cable stripping dimension for  
RG402 / Flexiform 402 / Sucoform 141, UT141 / 670-141 LSZH



2) stripping for cable with plastic jacket

1) dimension after cable assembling

Flexiform 402NM FJ	Ø0,94	Ø2,95	Ø3,60	Ø4,10	center conductor	outer conductor
cable type	center conductor	dielectric	outer conductor	jacket	solder	solder
		General Tolerance	ISO 2768	scale: 8:1		unit: mm
		ISO 2768	mH	0,5-3 ±0,1 3,0-6 ±0,1 6-30 ±0,2		
		angle: ±5°	date	name		<b>NEX10 right angle cable plug</b>  7702.NEX.1120.07Z
		generale	2019/10/30	Dony.Ni		
		checked		Ryan.Song		
		norm				
nr	rev	alteration	date	name		Rev.
					surface code	