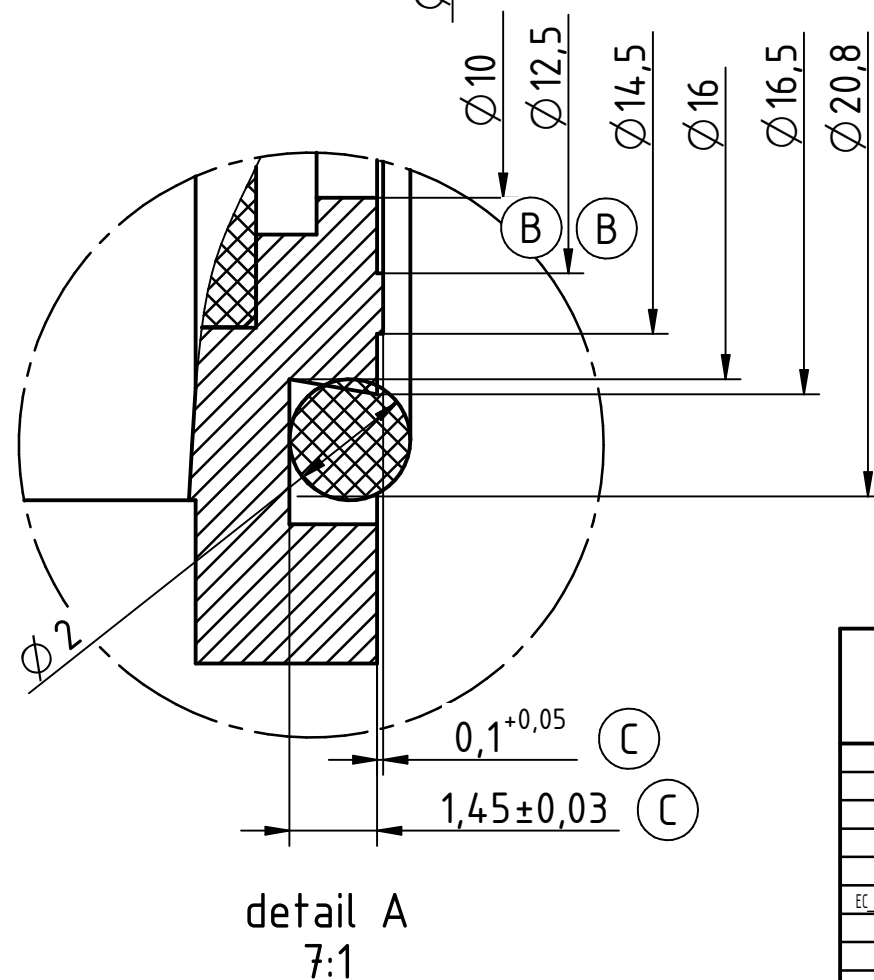
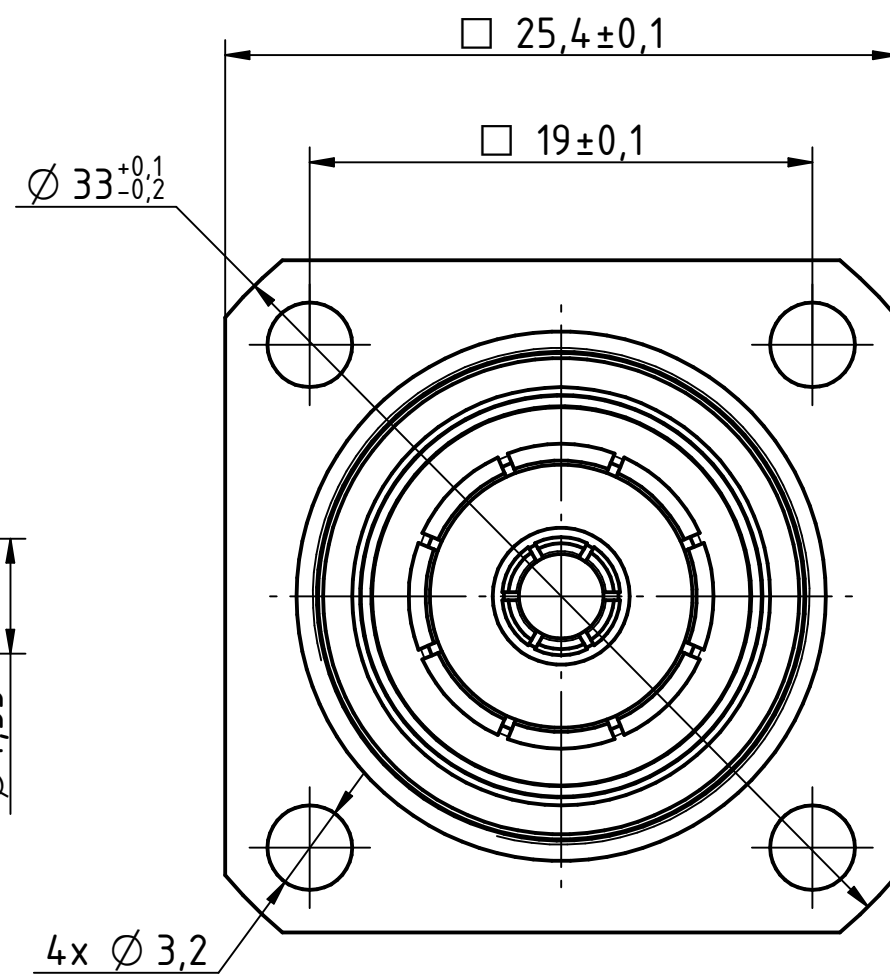
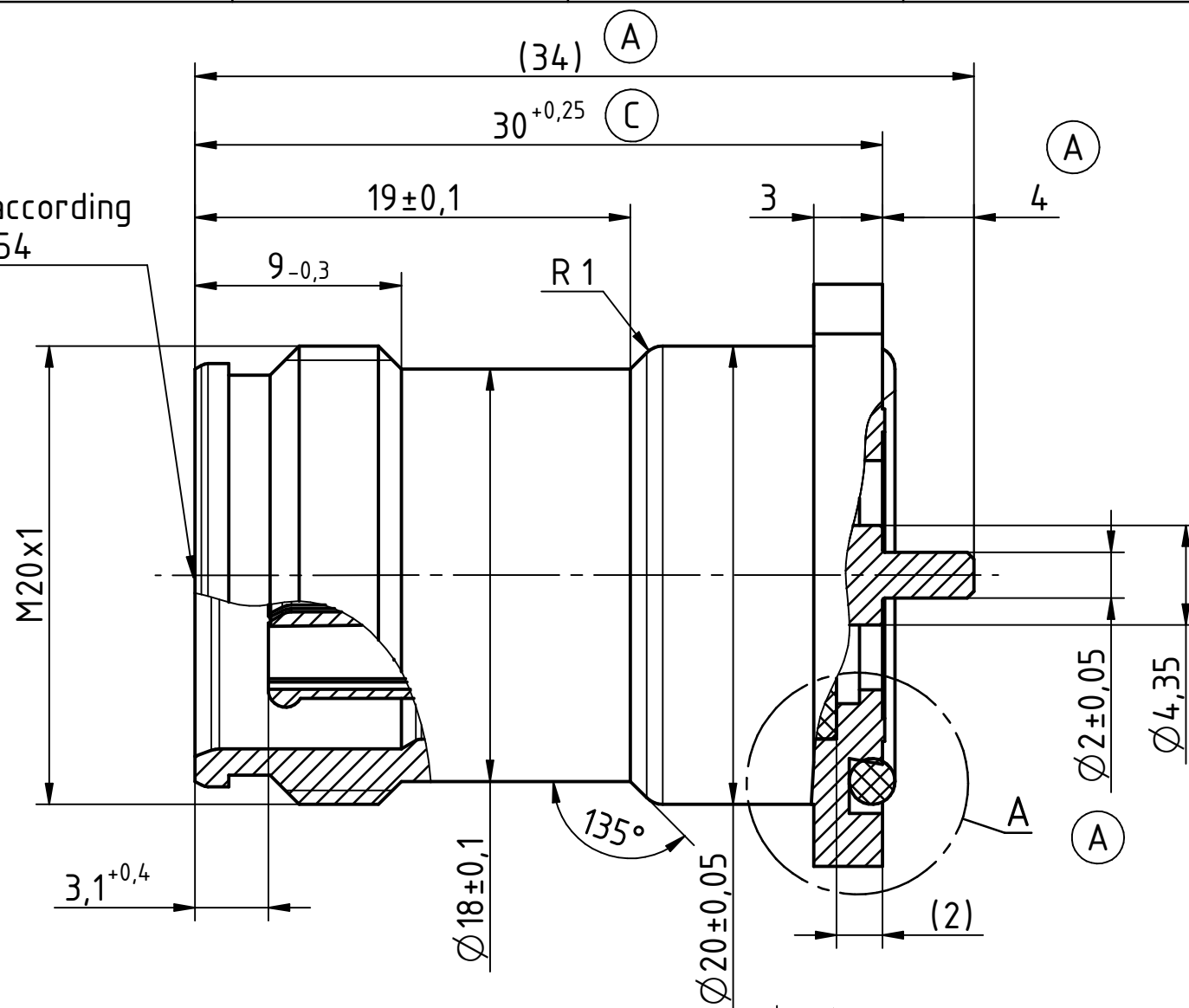


mating area according to IEC 61169-54



| | | | | | | |
|-----------------------|------|---------------------|-------------------|-------------------|--------------------------|----------|
| IMS CONNECTOR SYSTEMS | | General Tolerance | ISO 2768 | ISO 2768 | scale: 3:1 | unit: mm |
| | | ISO 2768 | -m- | -m- | | |
| | | mH | 0.5-3 ±0.1 | 3.0-6 ±0.1 | 4.3/10 Flange mount jack | |
| | | angle: ±5° | 6-30 ±0.2 | | | |
| | | | | | | |
| | | date | name | 7539.VDZ.2018.20Z | | |
| | | generate | 4/17/2017 Dony Ni | | | |
| | | checked | | | | |
| | | norm | | | | |
| EC 024 18 CN | C | mod. housing | 04.02.18 | Dony | Rev. c | |
| | B | mod. housing | 06.29.17 | Dony | | |
| | A | mod. contact socket | 06.28.17 | Dony | | |
| nr. | rev. | alteration | date | name | surface code | |