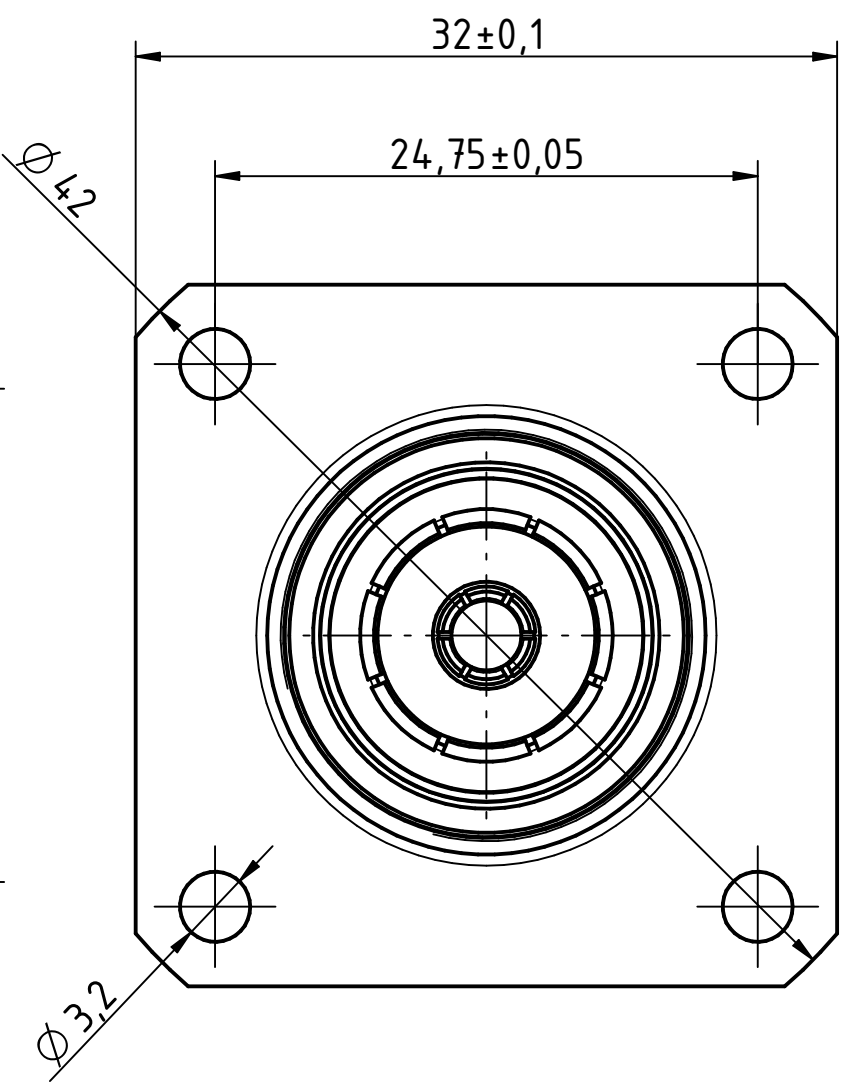
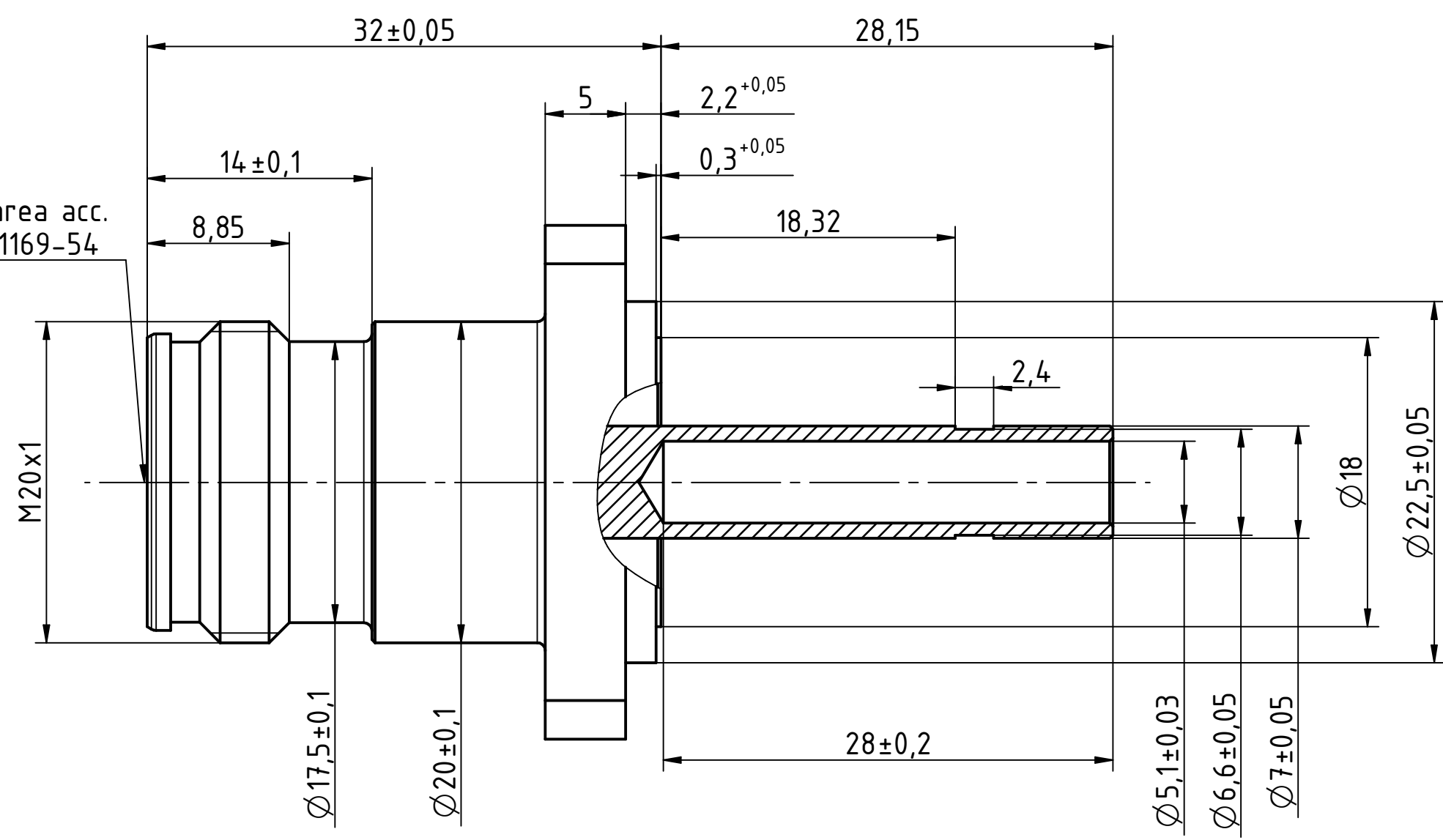
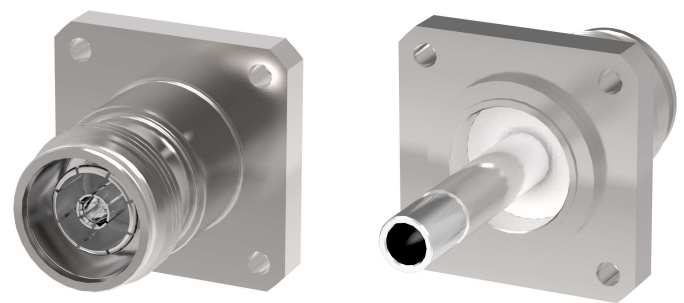


mating area acc. to IEC 61169-54



7396.VDZ.2018.200.31

after plating the parts can be touched wearing gloves!



IMS CONNECTOR SYSTEMS		General Tolerance	ISO 2768	scale: 3:1	unit: mm	
		ISO 2768	-m-			
		mH	0.5-3 ±0.1			
		angle: ±5°	3.0-6 ±0.1			
			6-30 ±0.2			
		date	name	4.3/10 Flange mount jack		
		generate	12/21/16			Dony Ni
		checked				
		norm				
				7519.VDZ.2018.20Z		
				Rev.		
nr.	rev.	alteration	date	name	surface code	