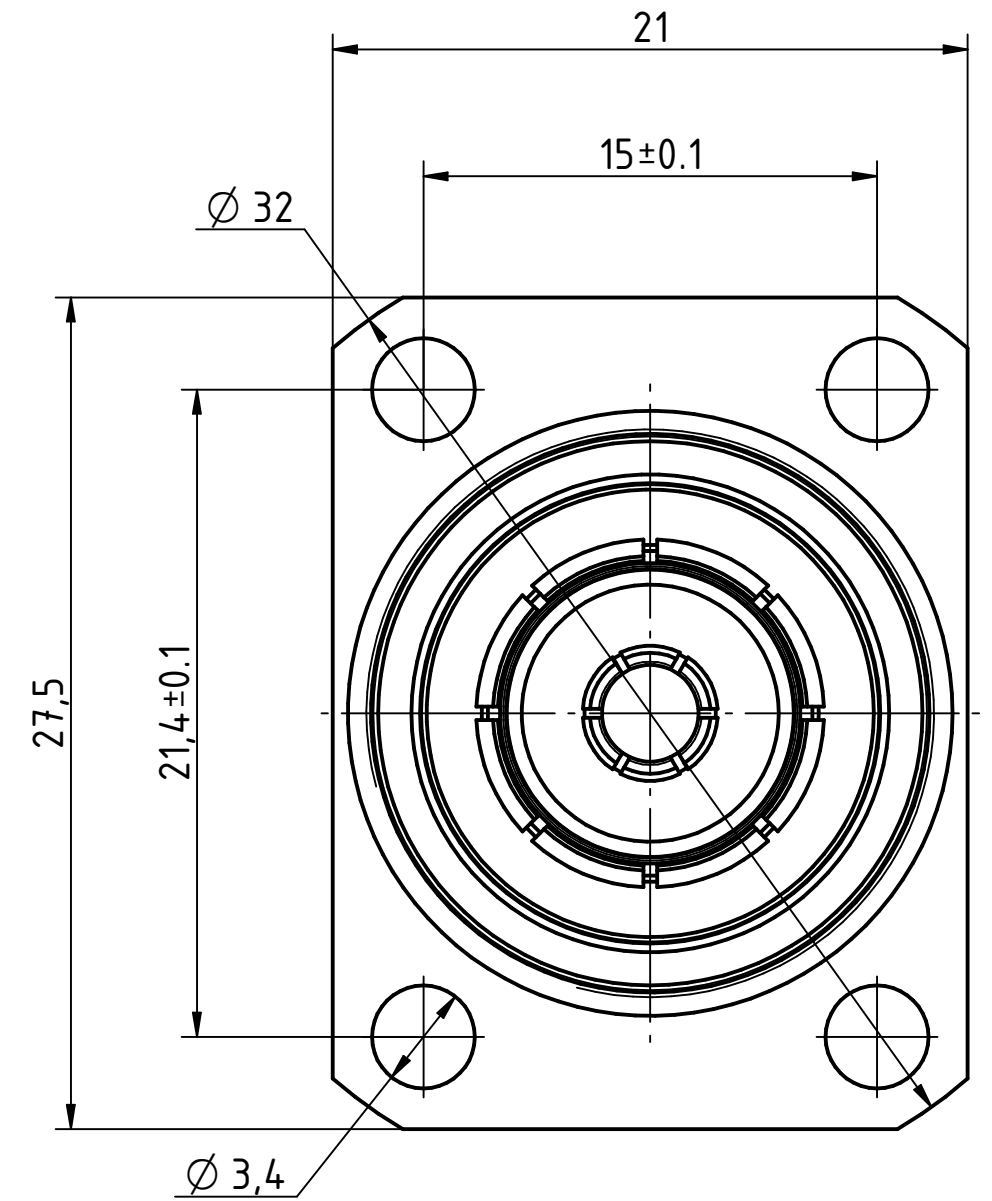
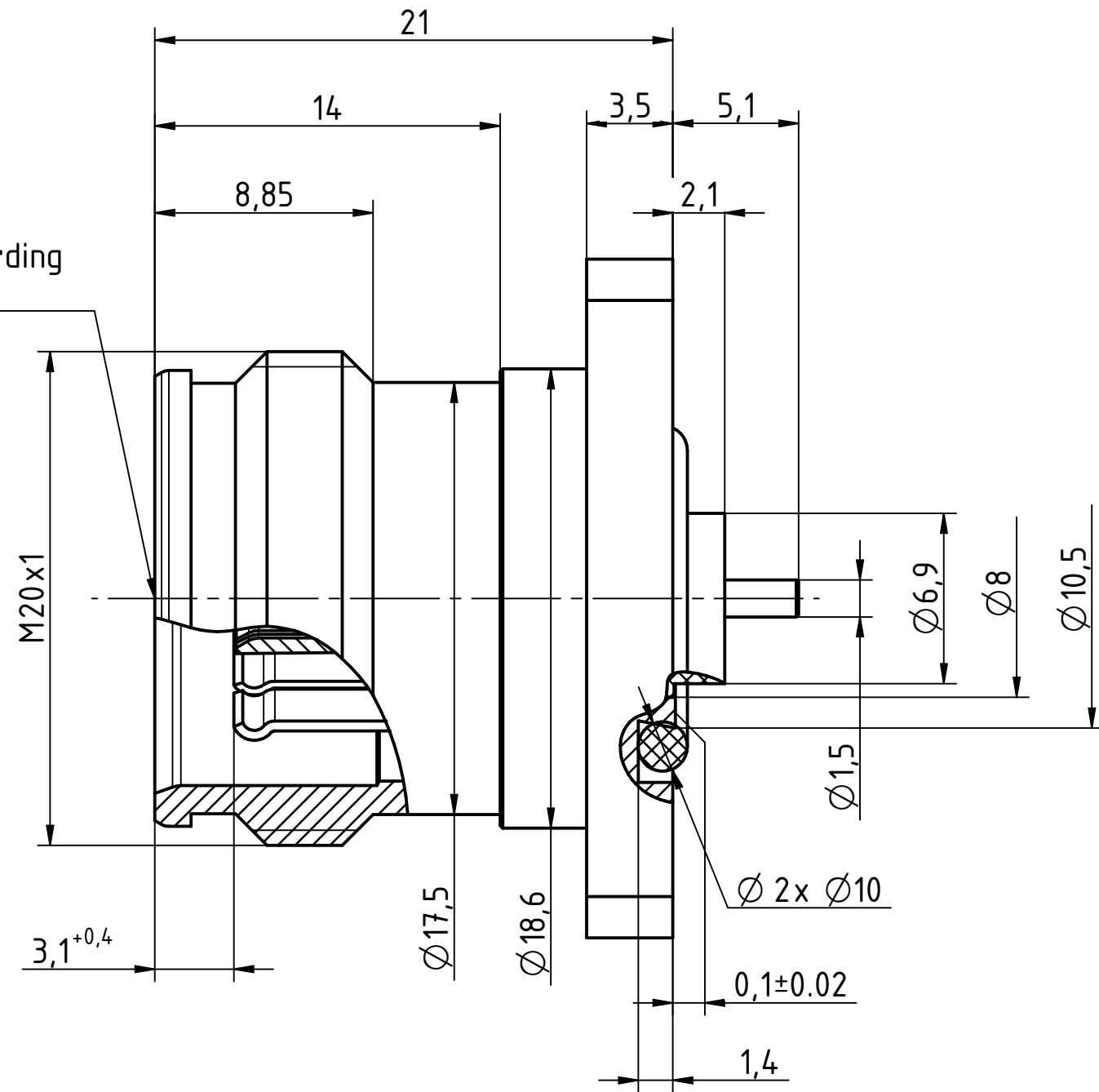
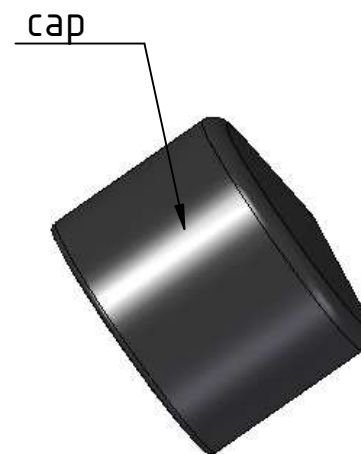
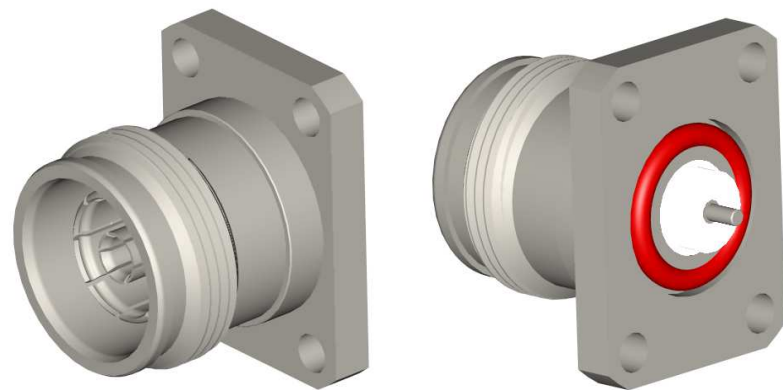


mating area according to IEC 61169-54



Part	Material	Surface
Housing	Brass	CuZnSn
Center contact	BeCu	Ag
Outer contact	BeCu	Ag
Insulator	PTFE	



IMS CONNECTOR SYSTEMS		General Tolerance ISO2768 mH angle ±5°	ISO 2768 -m- 0.5-3 ±0.1 3.0-6 ±0.1 6-30 ±0.2	scale: 3:1	unit: mm
nr.	rev.	alteration	date	name	4.3/10 Flange mount jack
					7397.VDZ.2018.20'
					Rev. A
					surface code