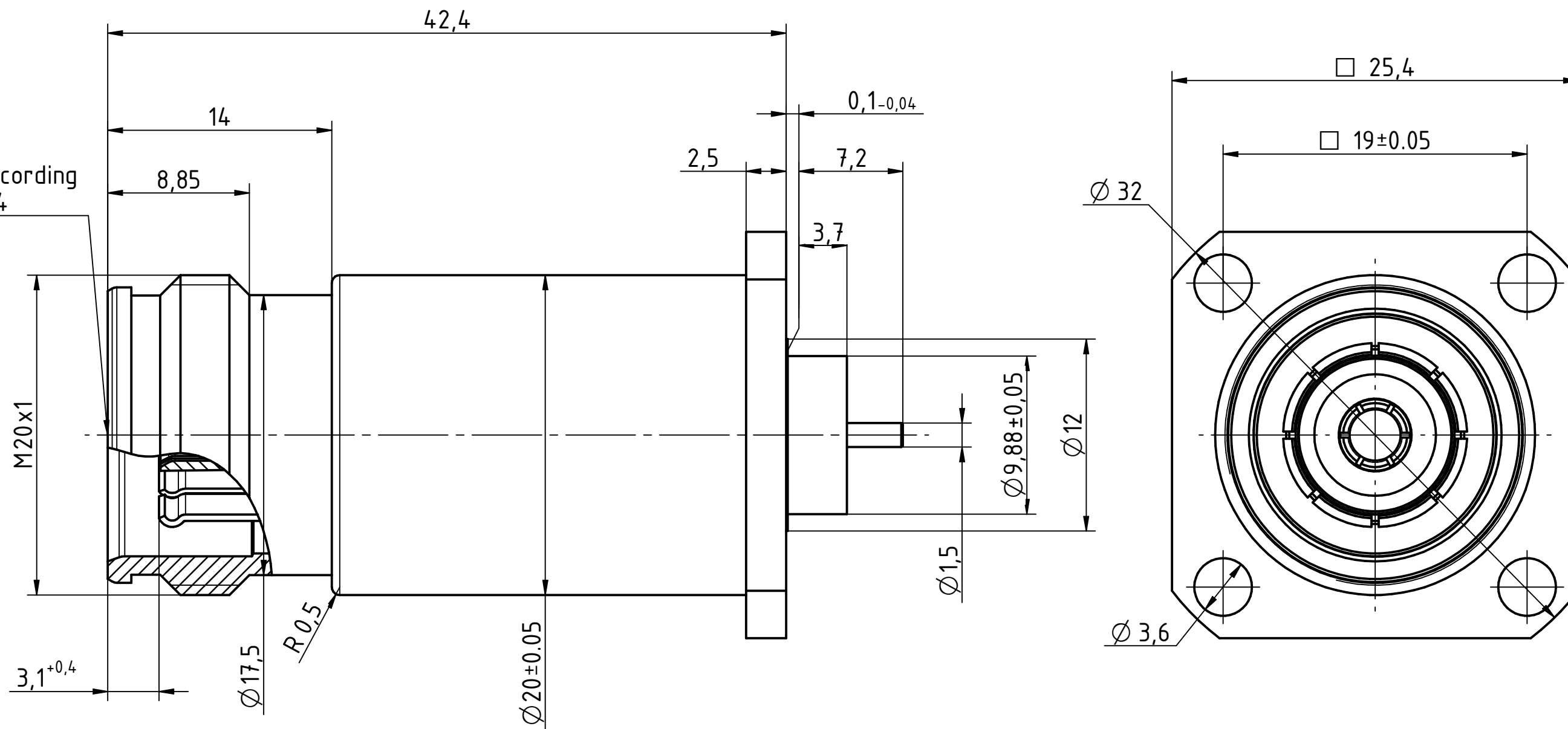
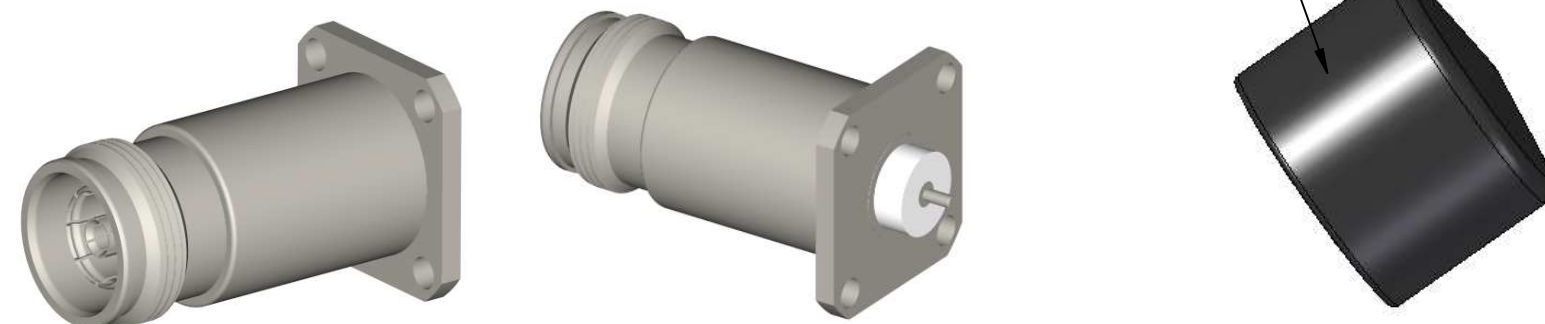


mating area according to IEC 61169-54



Part	Material	Surface
Housing	Brass	CuZnSn
Center contact	BeCu	Ag
Outer contact	BeCu	Ag
Insulator	PTFE	



IMS CONNECTOR SYSTEMS		General Tolerance ISO 2768 mH angle $\pm 5^\circ$	ISO 2768 -m- 0.5-3 ± 0.1 3.0-6 ± 0.1 6-30 ± 0.2	scale: 3:1	unit: mm
generate	date	name		4.3/10 Flange mount jack	
checked	3/30/2015	Dony Ni			
norm		Shin			
				7396.VDZ.2018.20'	Rev.
nr.	rev.	alteration	date	name	surface code