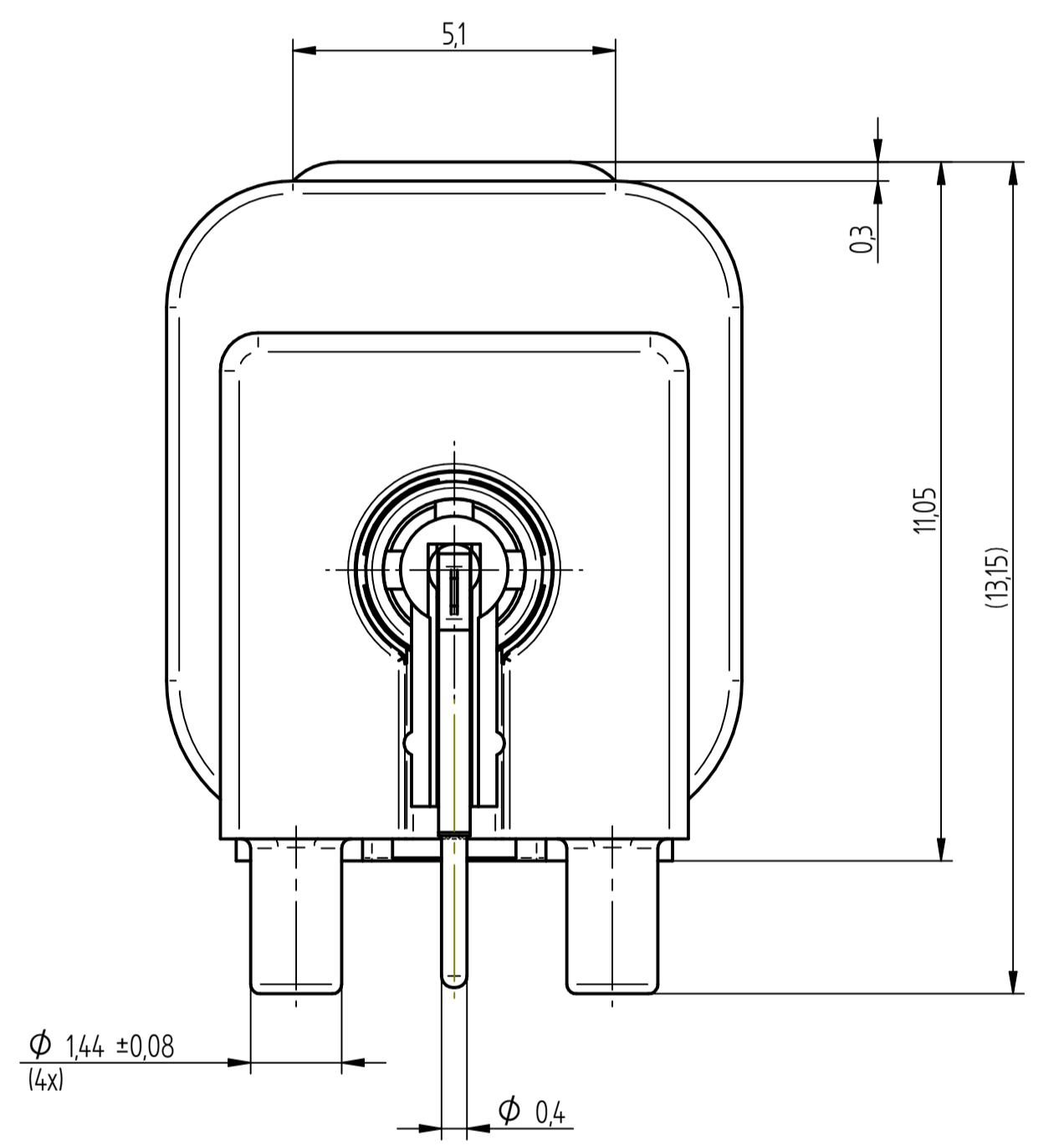
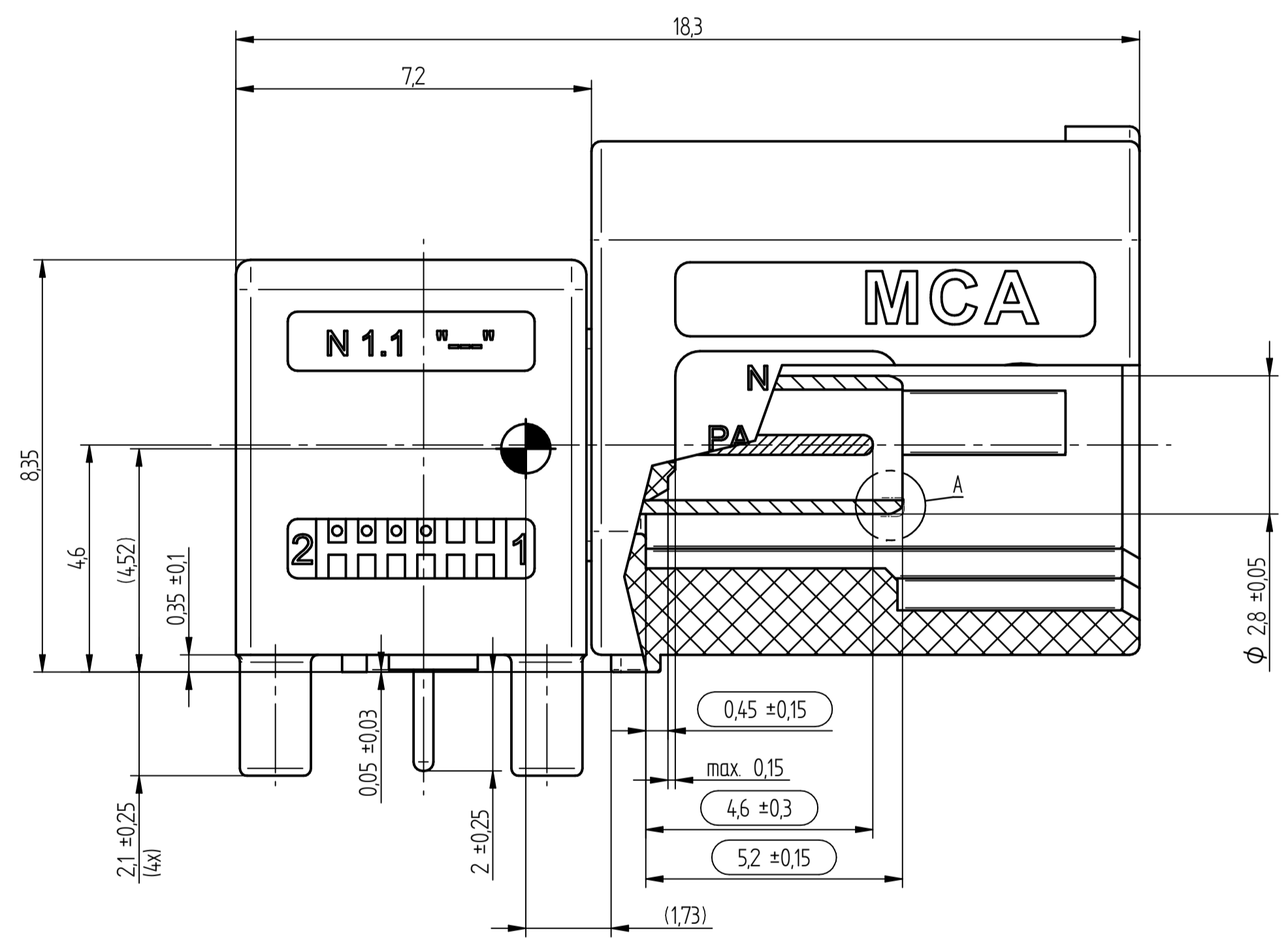
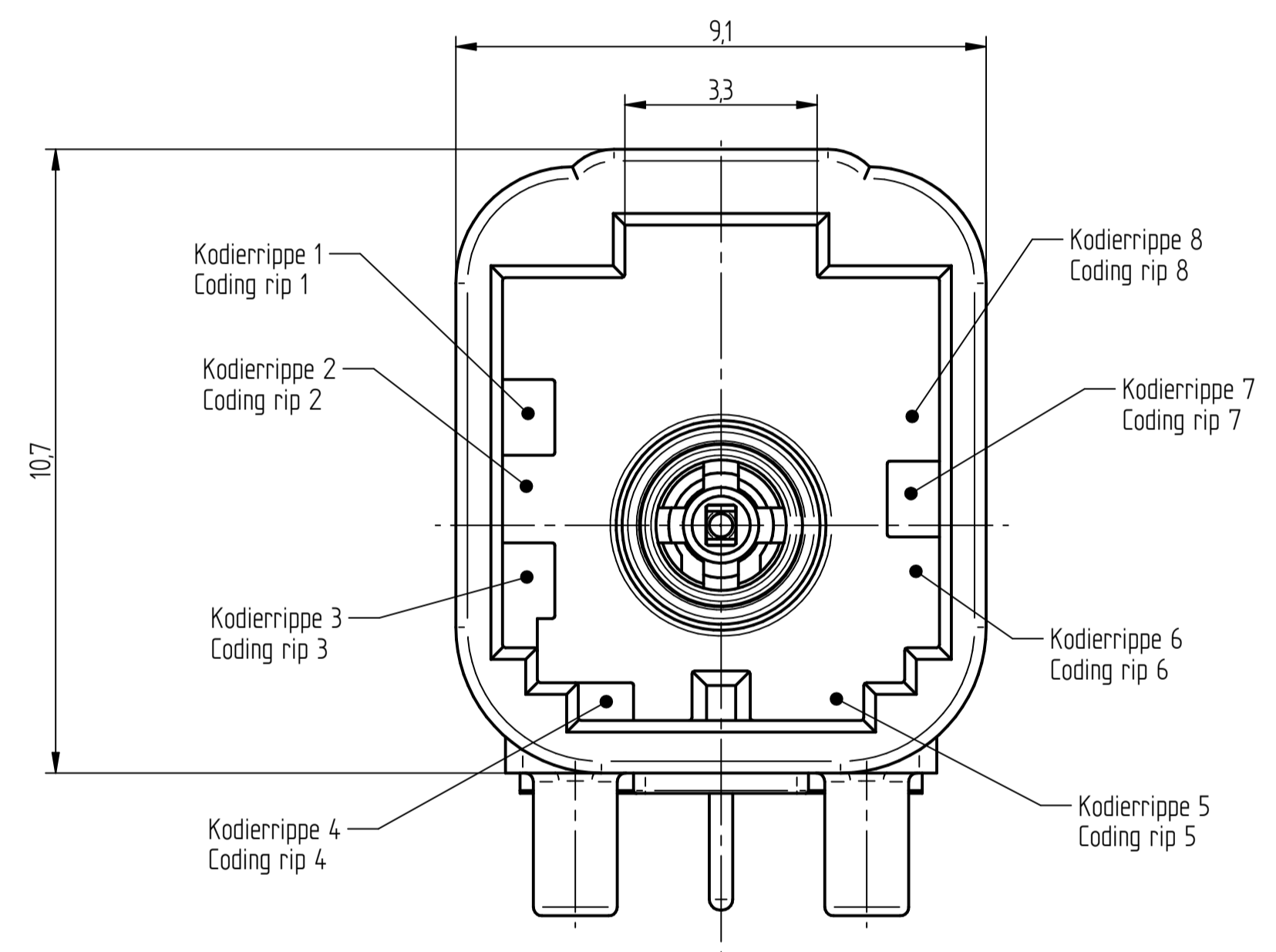
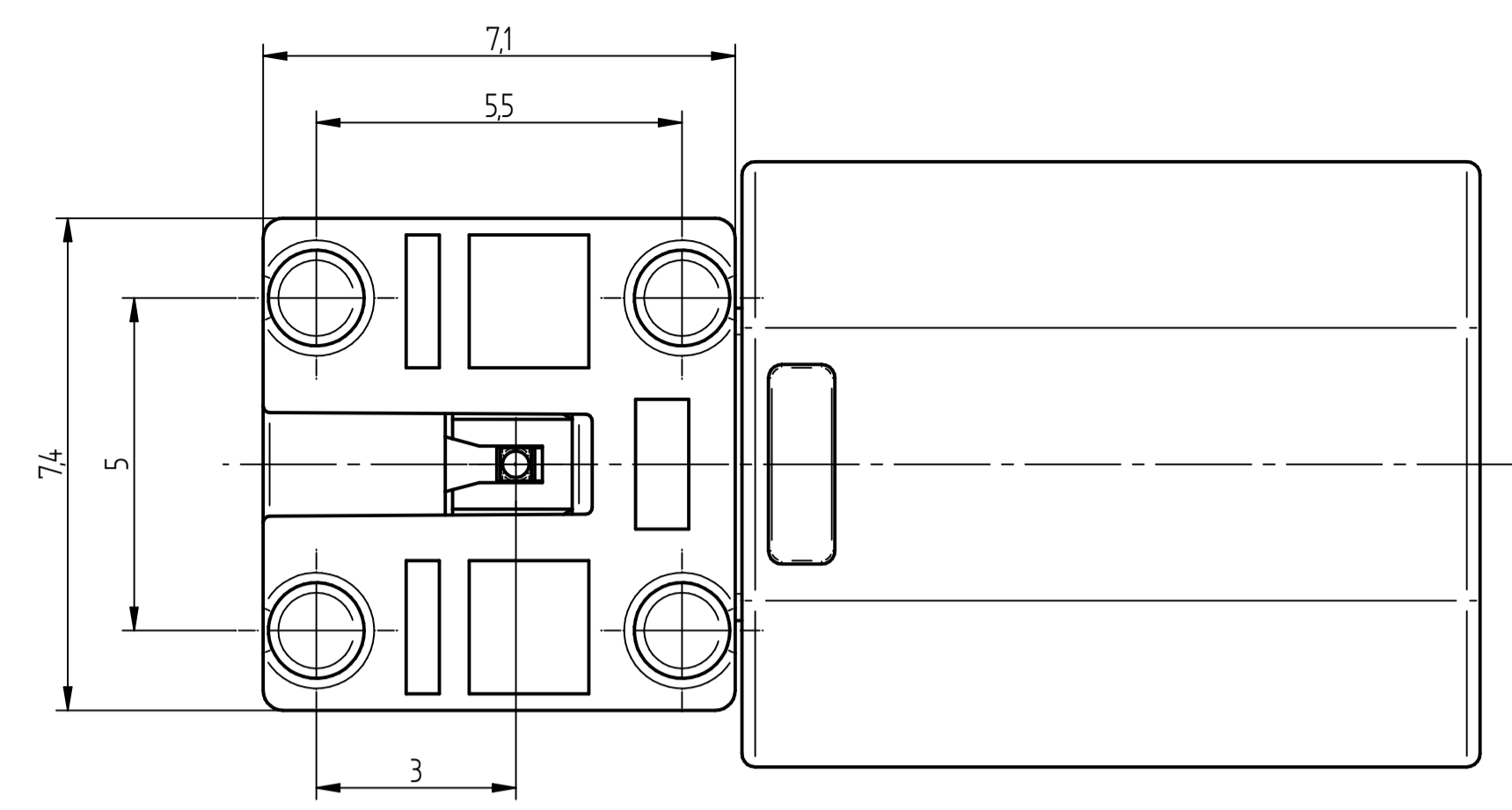
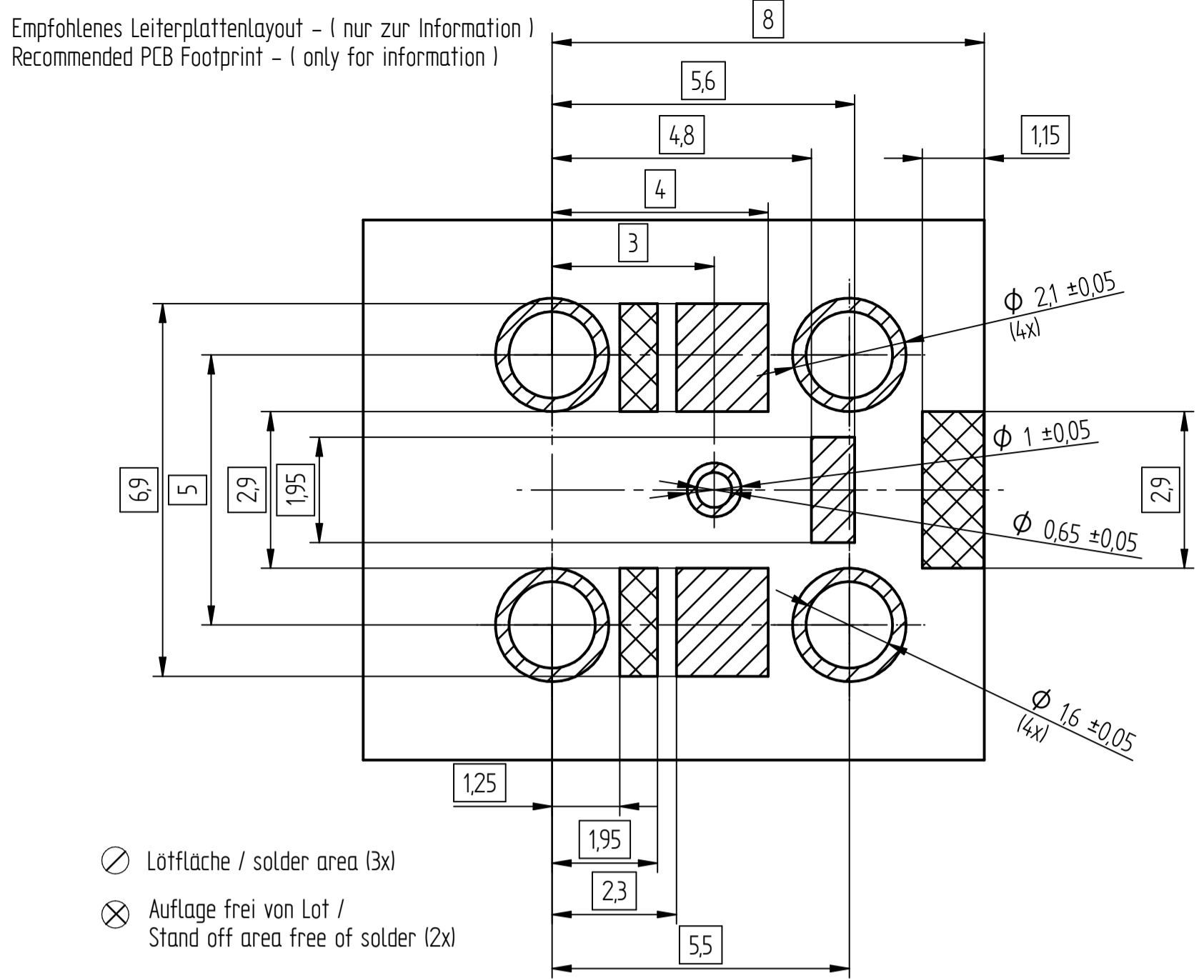


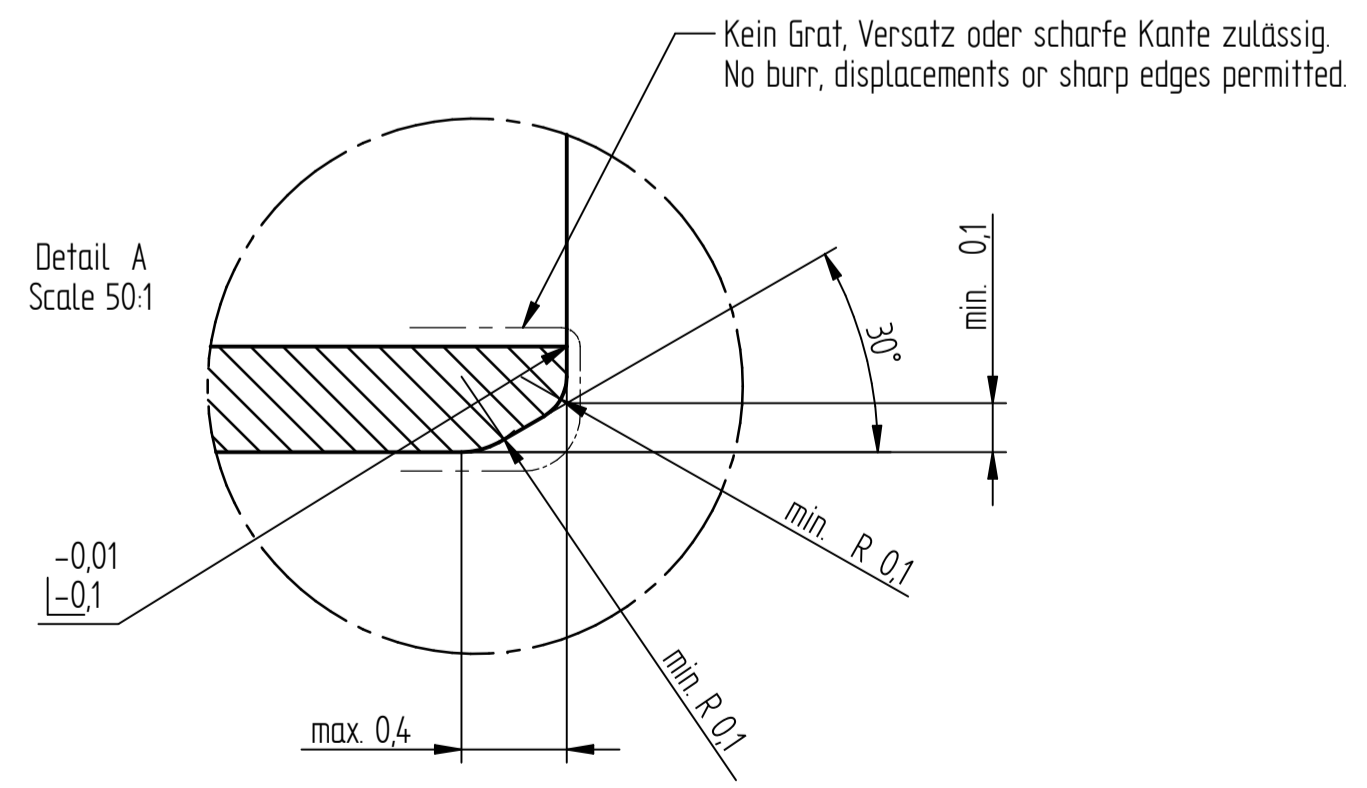
Revision history				
Change ID	Rev	Alteration	Date	Name
Design	A01	Revised	24.03.21	rschwaer
Design	A02	Revised	21.05.21	rschwaer
PEC_11774_01	A03	Revised add Tape & Reel	17.06.21	rschwaer
221609	A04	Change acc. cus	03.11.21	rschwaer
00040247	A05	Parts exchanged	15.12.21	rschwaer
Design	A06	Change to Rev - Ver	21.10.22	rschwaer
00049151	A07	Plastic housing improve	29.06.23	rschwaer



Kodierungsvariante "X" muss in Zeichnungsnummer festgelegt werden, wenn eine Bestellung ausgelöst wird.

Coding Type "X" have to be stated within the drawing number, when an order is placed

Kodierungsvariante Coding Type "X"	Kodiernut 1 Coding 1	Kodiernut 2 Coding 2	Kodiernut 3 Coding 3	Kodiernut 4 Coding 4	Kodiernut 5 Coding 5	Kodiernut 6 Coding 6	Kodiernut 7 Coding 7	Kodiernut 8 Coding 8	Farbe color	ähnlich RAL similar RAL
A	offen open	gesperrt closed	gesperrt closed	offen open	gesperrt closed	gesperrt closed	offen open	offen open	tiefschwarz jet black	9005
B	offen open	offen open	gesperrt closed	gesperrt closed	offen open	offen open	gesperrt closed	gesperrt closed	reinweiss pure white	9010
C	gesperrt closed	offen open	offen open	gesperrt closed	offen open	gesperrt closed	gesperrt closed	offen open	lichtblau light blue	5012
D	gesperrt closed	gesperrt closed	offen open	offen open	gesperrt closed	offen open	offen open	gesperrt closed	bordeauxviolett claret violet	4004
E	gesperrt closed	offen open	gesperrt closed	gesperrt closed	offen open	offen open	gesperrt closed	offen open	maigrün may green	6017
F	gesperrt closed	offen open	offen open	gesperrt closed	offen open	offen open	gesperrt closed	gesperrt closed	nussbraun nut brown	8011
Z	offen open	offen open	offen open	offen open	offen open	offen open	offen open	offen open	wasserblau waterblue	5021

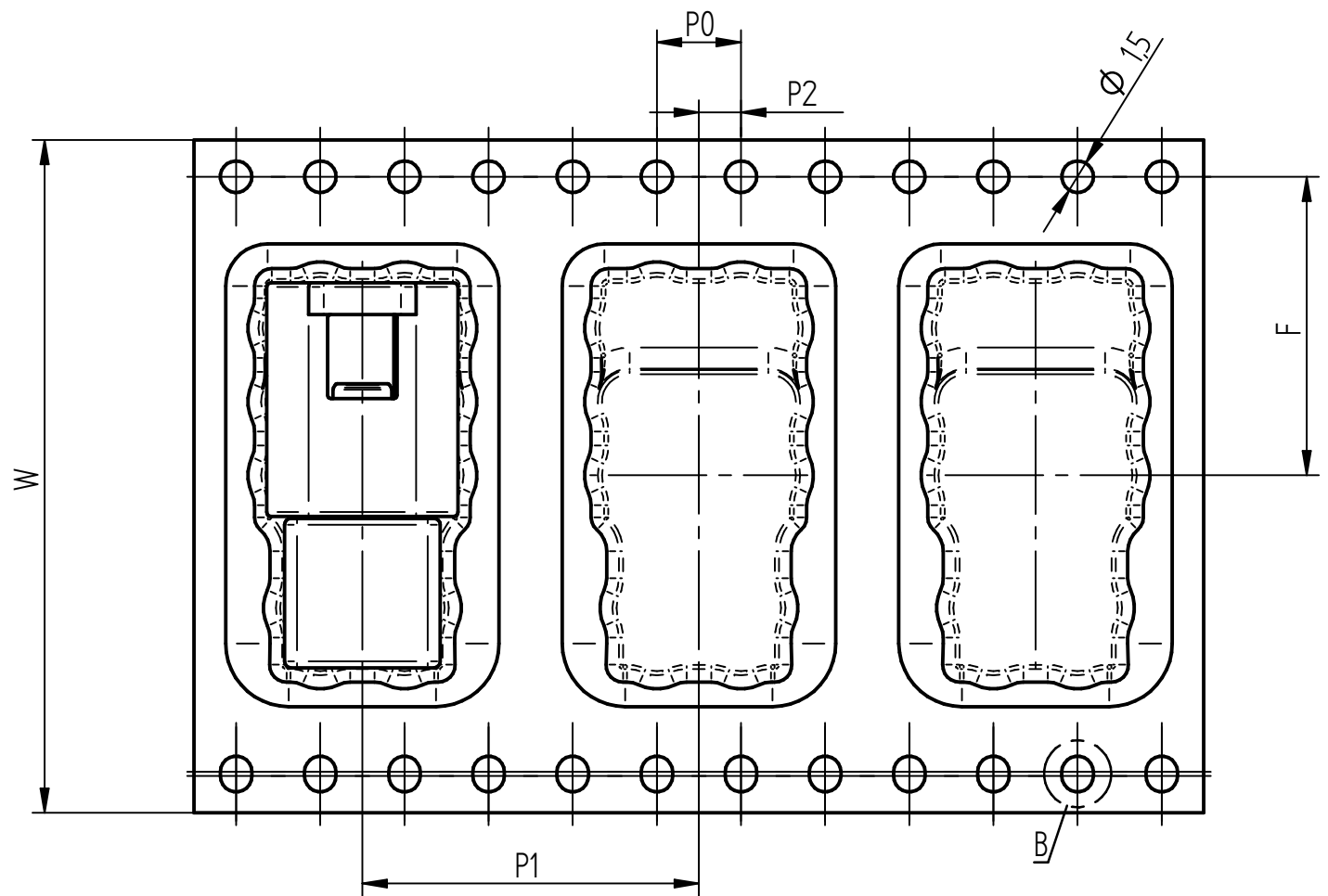


Teil / Part	Material	Variable Z = Oberflächencode / Variable Z = Plating / surface code	Bemerkung / Note
Gehäuse / Housing	diecast	7	
Kunststoffgehäuse / Plastic Housing	PA GF-30		Reflow fähig / Reflow able
Kontaktstift / Centre Pin	brass	Ag	
Aussenkontakt / Outer Contact	brass	Sn	
Isolierung / Insulator	LCP		Epsilon r : 3,7

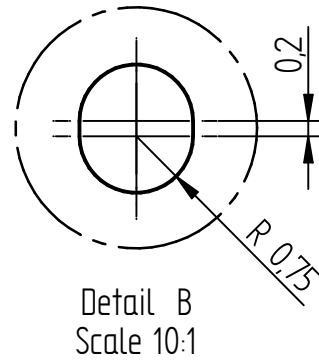
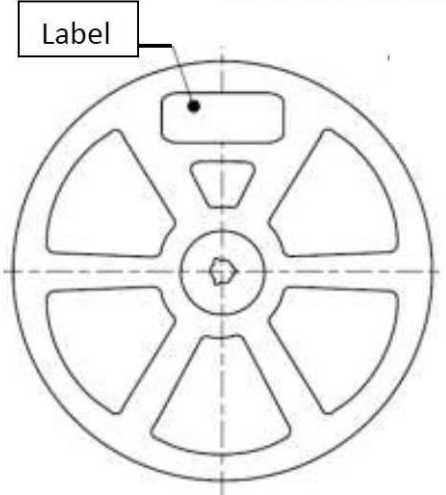
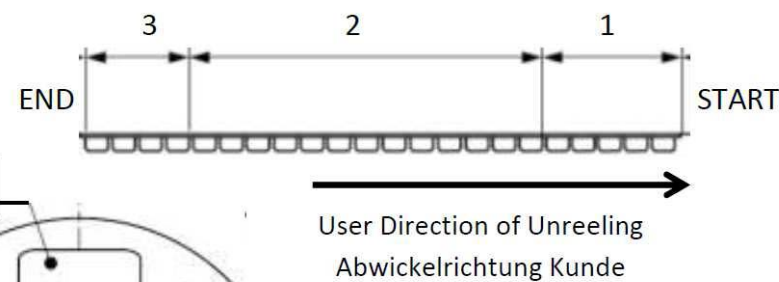
Projection - ISO 5456	Unit system - Metric	General tolerance	Note	Document type
Created by	Approved by	ISO 2768 mH		Acceptance drawing
rschwaer		Title	MCA1ml-p.c.b. mount abgle plug-1-pol	Scale
		Supplementary title	5648 MCA1X20.00Z	10:1
		Rev	A 07	Sheet
		Date of issue	08.02.2021	Lang
				EN
				1/2

Status Development

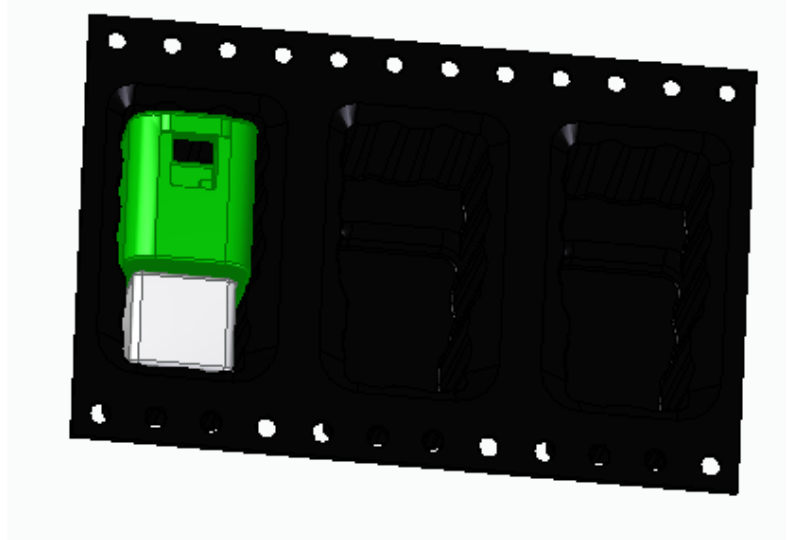
ISO 16016
 All copyrights reserved. This drawing can neither be copied nor made available to third parties or competitor companies without our written permission.



User Direction of Unreeling
 Abwickelrichtung Kunde



Revision history				
Change ID	Rev.	Alteration	Date	Name
Design	A01	Revised	24.03.21	rschwaer
Design	A02	Revised	21.05.21	rschwaer
PEC_11774_01	A03	Revised add. Tape & Reel	17.06.21	rschwaer
221609	A04	Chgange acc. cus.	03.11.21	rschwaer
100040247	A05	Parts exchanged	15.12.21	rschwaer
Design	A06	Change to Rev. - Ver.	21.10.22	rschwaer
100049151	A07	Plastic housing improve	29.06.23	rschwaer



Tape size (W)	P0	P1	P2	F
32	4	16	2	14,2

For more information on the tape and reel drawing: AGK-4868
 Für weitere Angaben auf der Blistergurtzeichnung: AGK-4868

Tape and reel	Blistergurt	AGK-4868
Parts/reel (2)	Stck/Gurt (2)	420
Parts/m	Stck/m	62
Forward run (1)	Vorlauf (1)	0,4m
After run (3)	Nachlauf (3)	0,4m
Tape length	Gurtlänge	ca./app. 8m
Reel diameter	Spulendurchmesser	380mm

T&R packaging is in accordance with EIA-481D and IEC-60286-3
 T&R Verpackung nach EIA-481D and IEC-60286-3

Projection - ISO 5456 	Unit system - Metric ALL dim. in [mm]	General tolerance ISO 2768 mH	Note	Document type Tape & Reel			
Created by rschwaer	Approved by	Title MCA(m)-p.c.b. mount abgle plug-1-pol		Drawing number 5648.MCA.1X20.00Z		Scale 1:1	
		Supplementary title MCA(m)-Anbauwinkelstecker-1-pol		Rev. A 07	Date of issue 08.02.2021	Lang. EN	Sheet 2/2