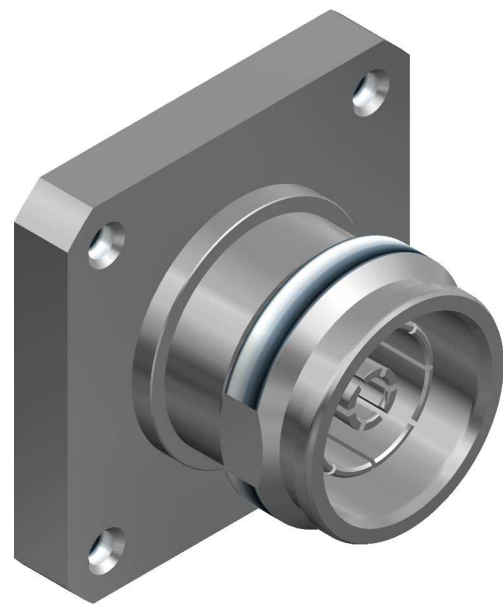
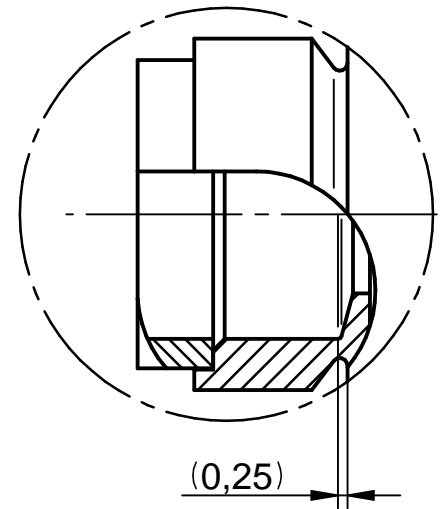
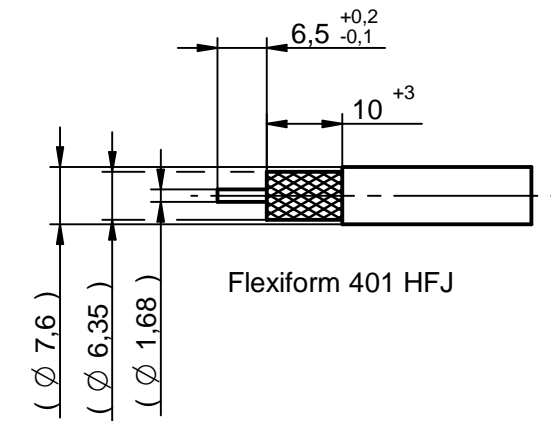


M/s 1:1

Einzelheit / detail Z
M/s 5:1



M/s 2:1



				general tolerance ISO 2768 mH angle: ±5°		scale: 2:1		
						Assembly instruction: Stripping dimension:		
				date	name	4.3/10-Flansch kabelbuchse 4.3/10-Flange mount cable jack		
				generate	29.02.20			Phalmosi
				checked	29.02.20			Pölz
				Norm				
						5594.VDZ.2818.08Z		
						Rev. a		
PEC_11594_02	a	revised	07.08.20	phalm				
nr.	rev.	alteration	date	name	surface code			