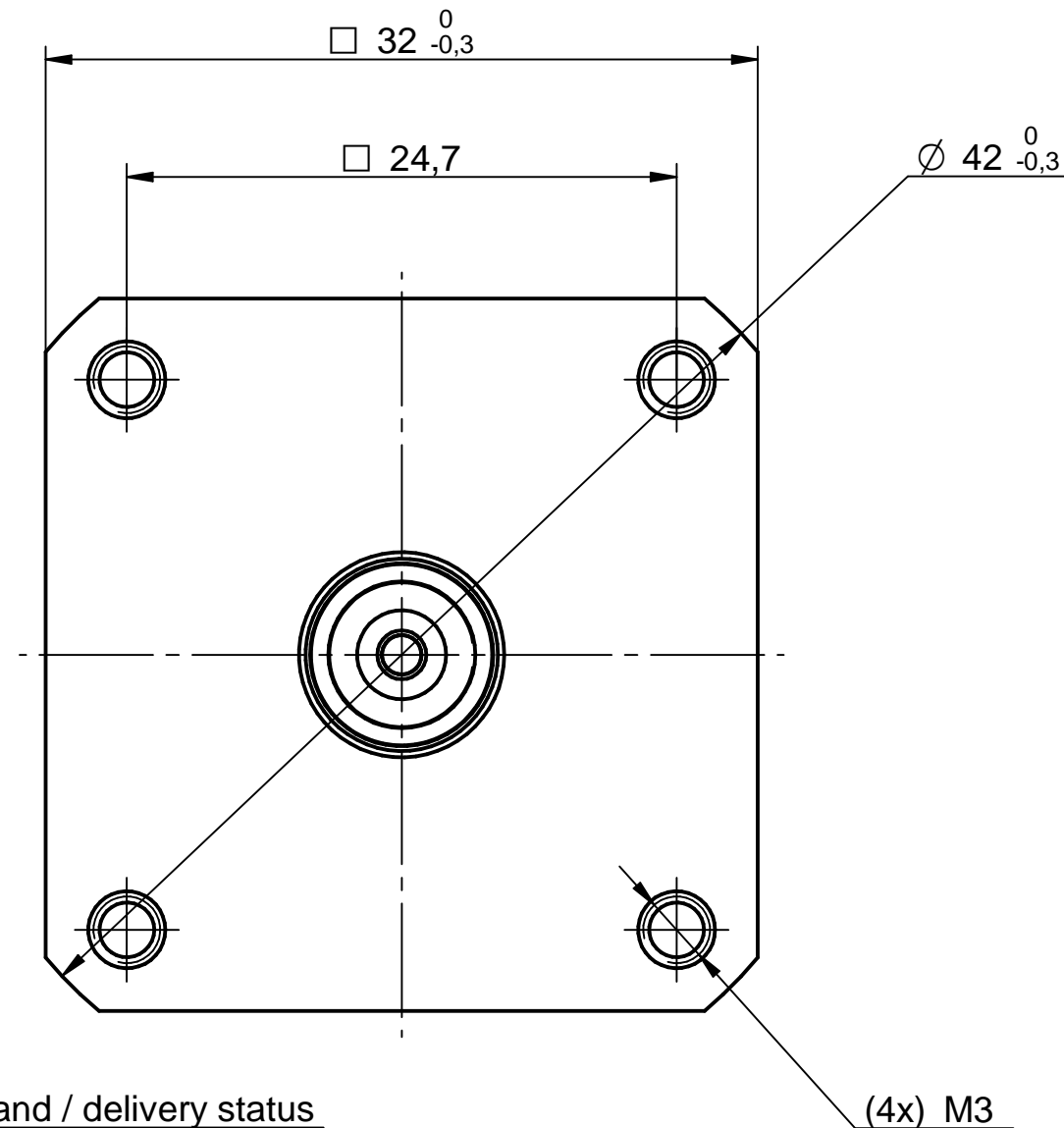
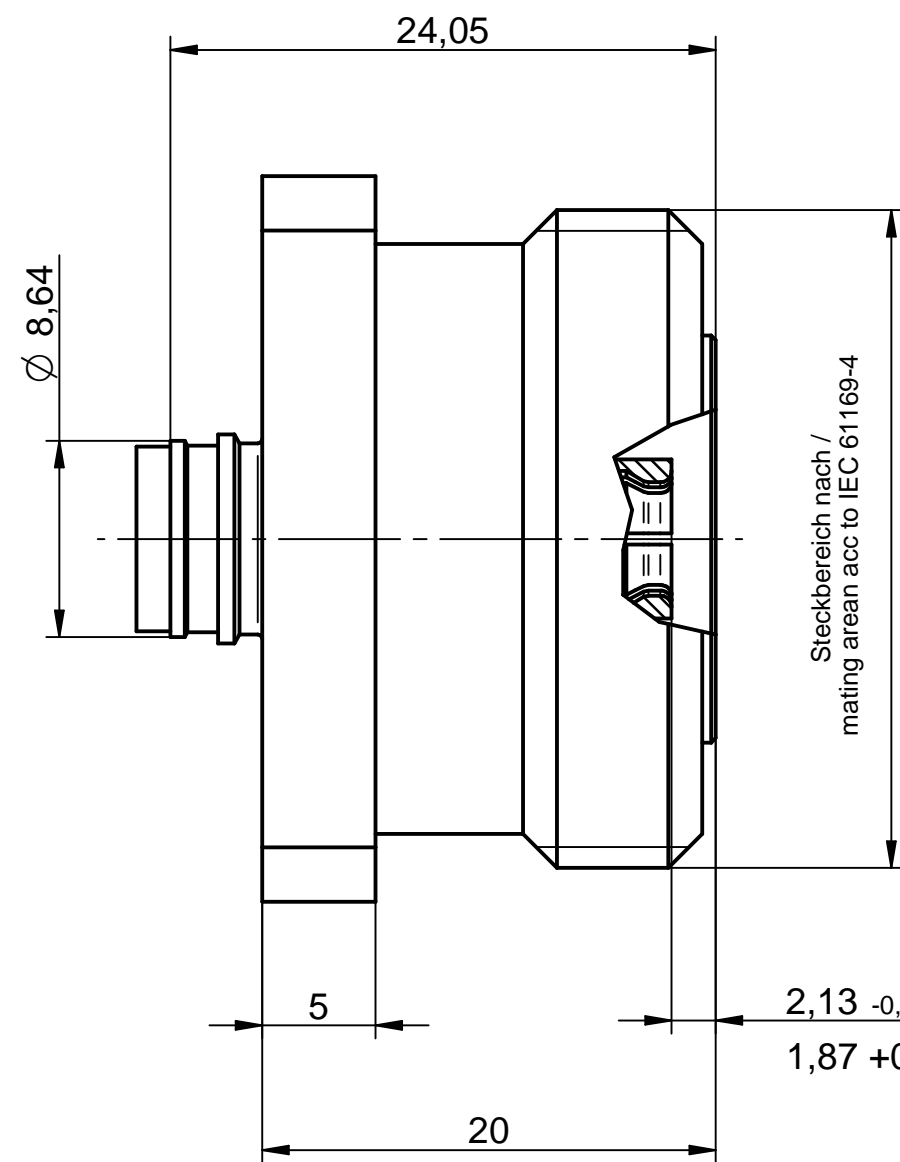
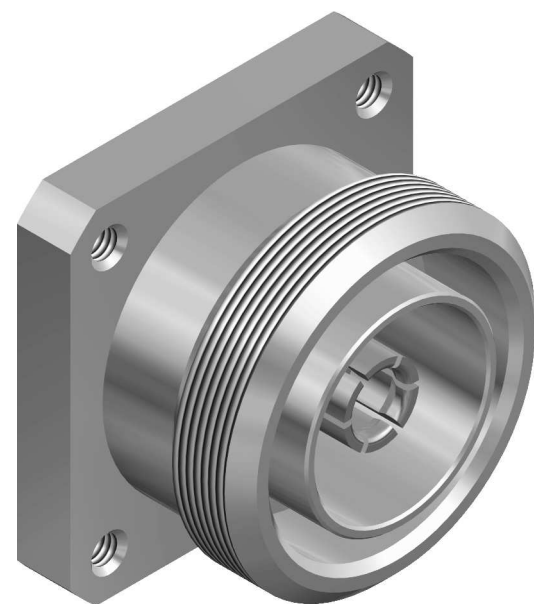
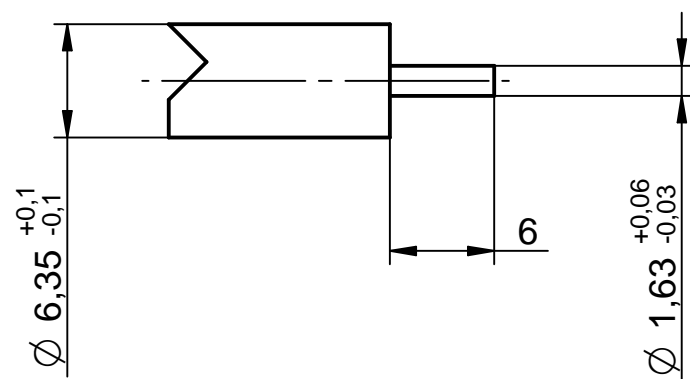


M/s 1:1



Kabelzuschnitt / stripping dimension
RG-401/U
Flexiform-401
UT-250



M/s 2:1

		general tolerance		scale: 2:1	
		ISO 2768 mH angle: ±5°		Assembly instruction: Stripping dimension:	
	date	name		7-16(f)-Flansch kabelbuchse	
	generate 29.02.20	Phalmosi			
	checked 06.03.20	Phalmosi		7-16(f)Flange mount cable jack	
	Norm				
				5592.08.2818.28Z	
nr.	rev.	alteration	date	name	Rev.
					surface code