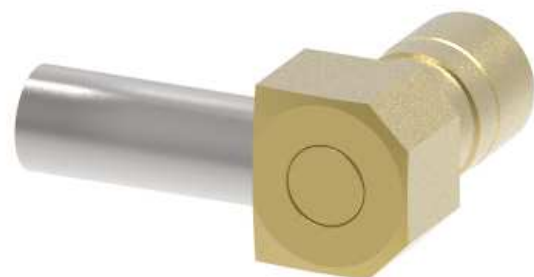
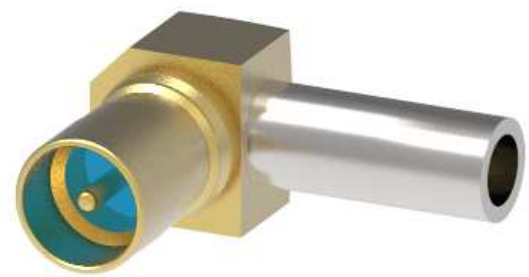
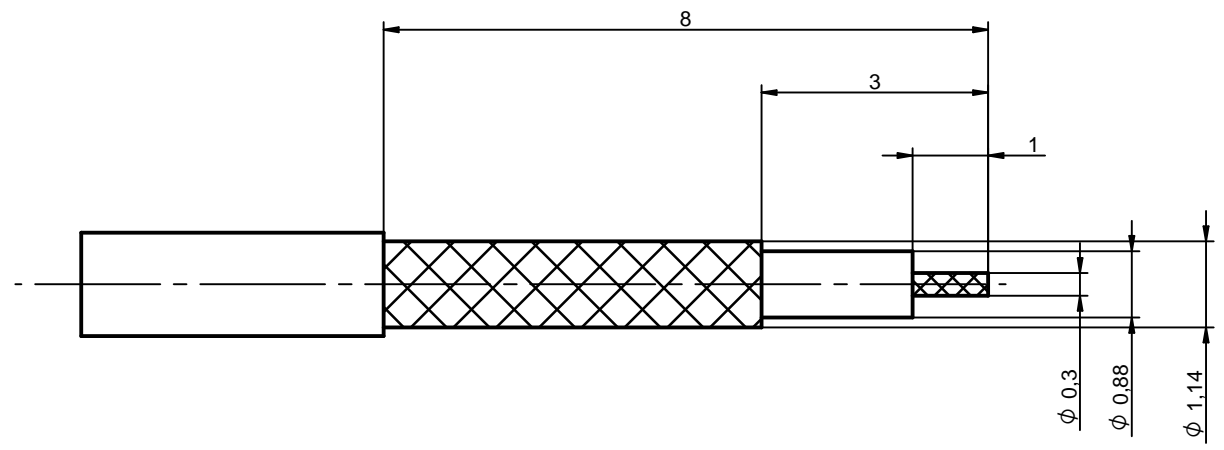


Kabelzuschnitt / Stripping dimension  
Kabel / cable: RG-013



IMS CONNECTOR SYSTEMS		general tolerance ISO 2768 mH angle: $\pm 5^\circ$		scale: 10:1	
				Assembly instruction: Stripping dimension:	
	date	name		VIA(m)-Kabelwinkelstecker VIA(m)-Cable mount angle plug	
	generate 19.03.19	rschwaer			
	checked 23.09.19	Pölz			
	Norm			5535.VIA.1820.08'	
PEC_11466/67_04	a	revised / change acc. sim.	23.09.19	phalm	Rev. a
nr.	rev.	alteration	date	name	

