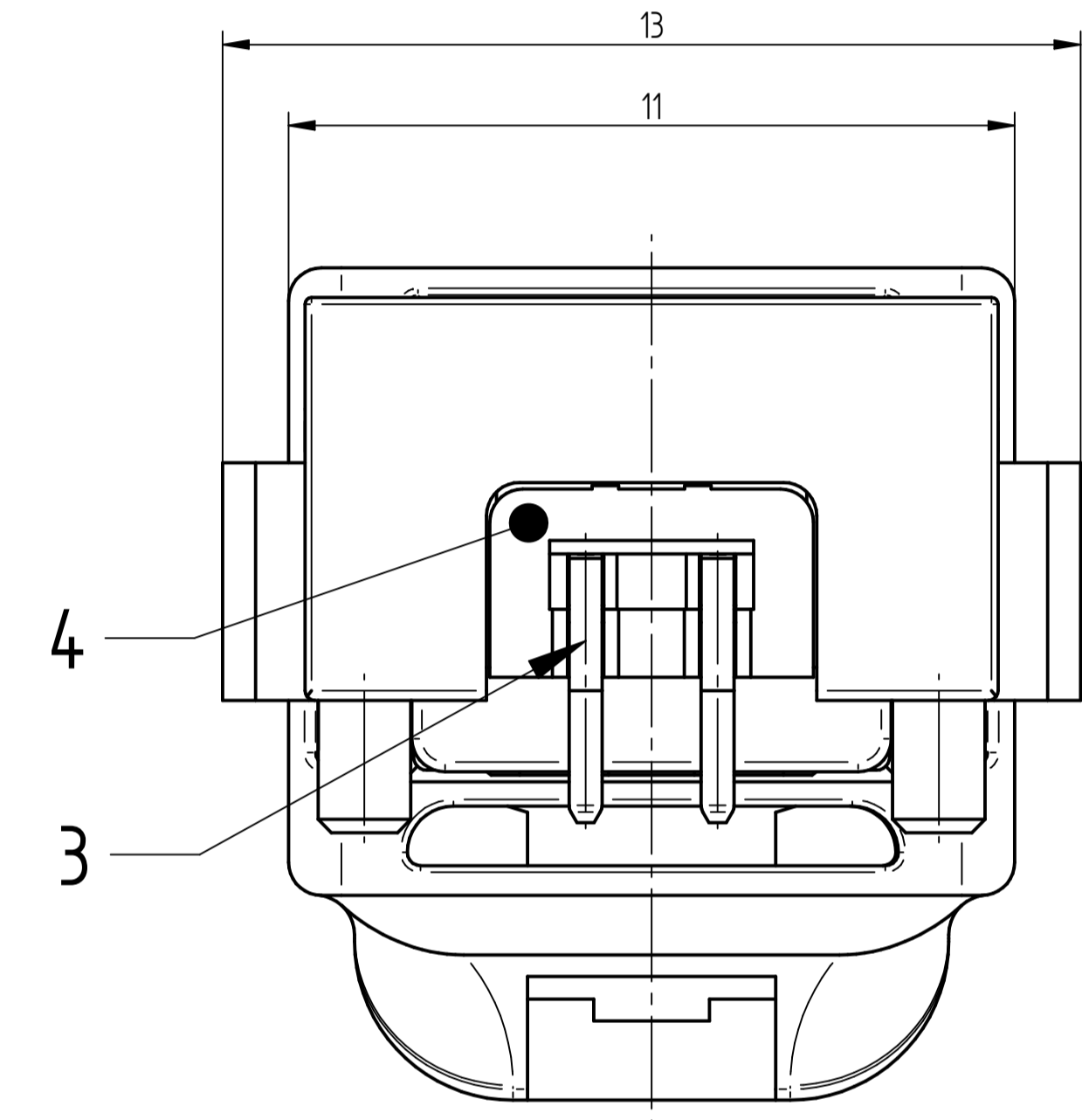
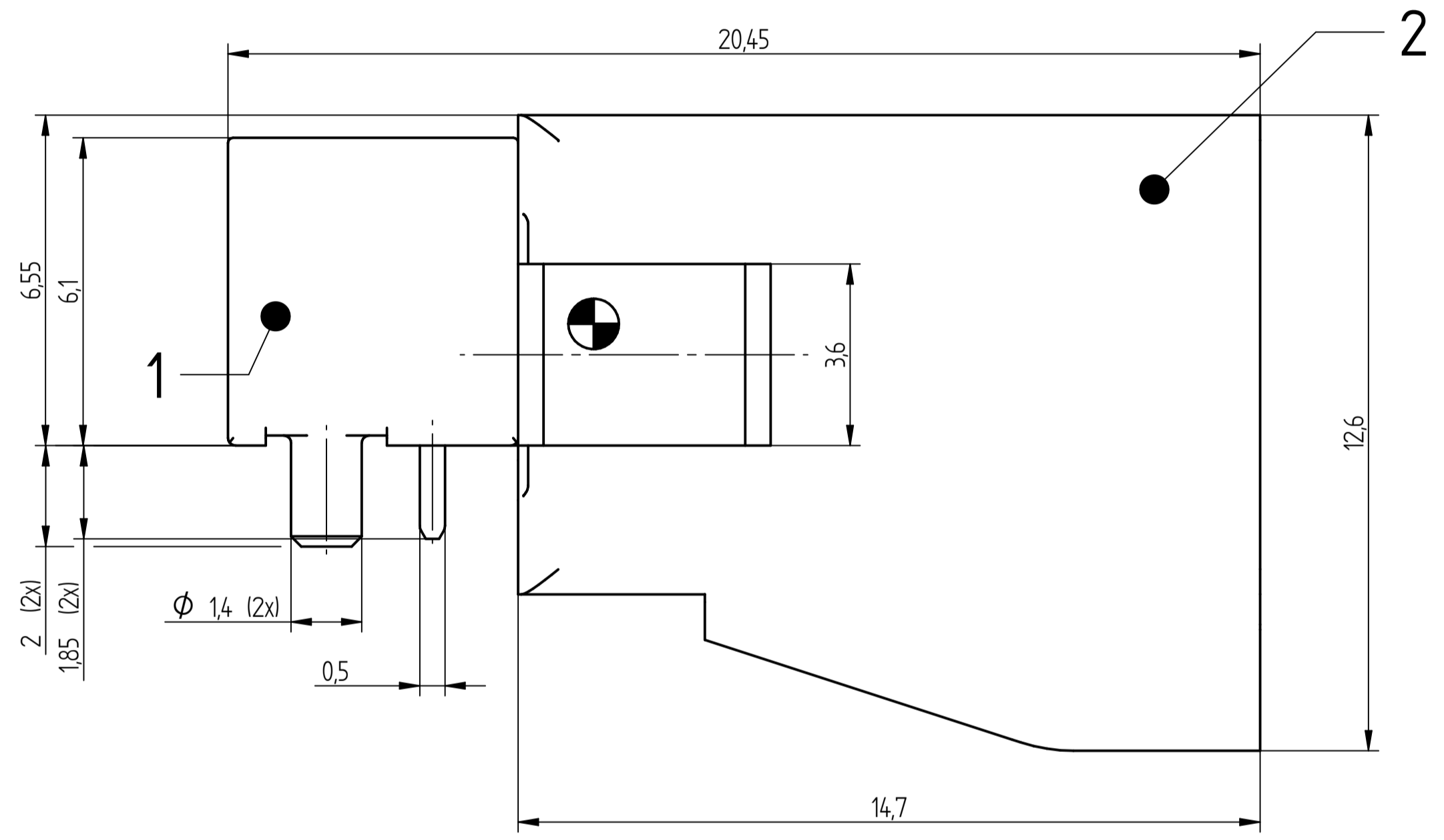
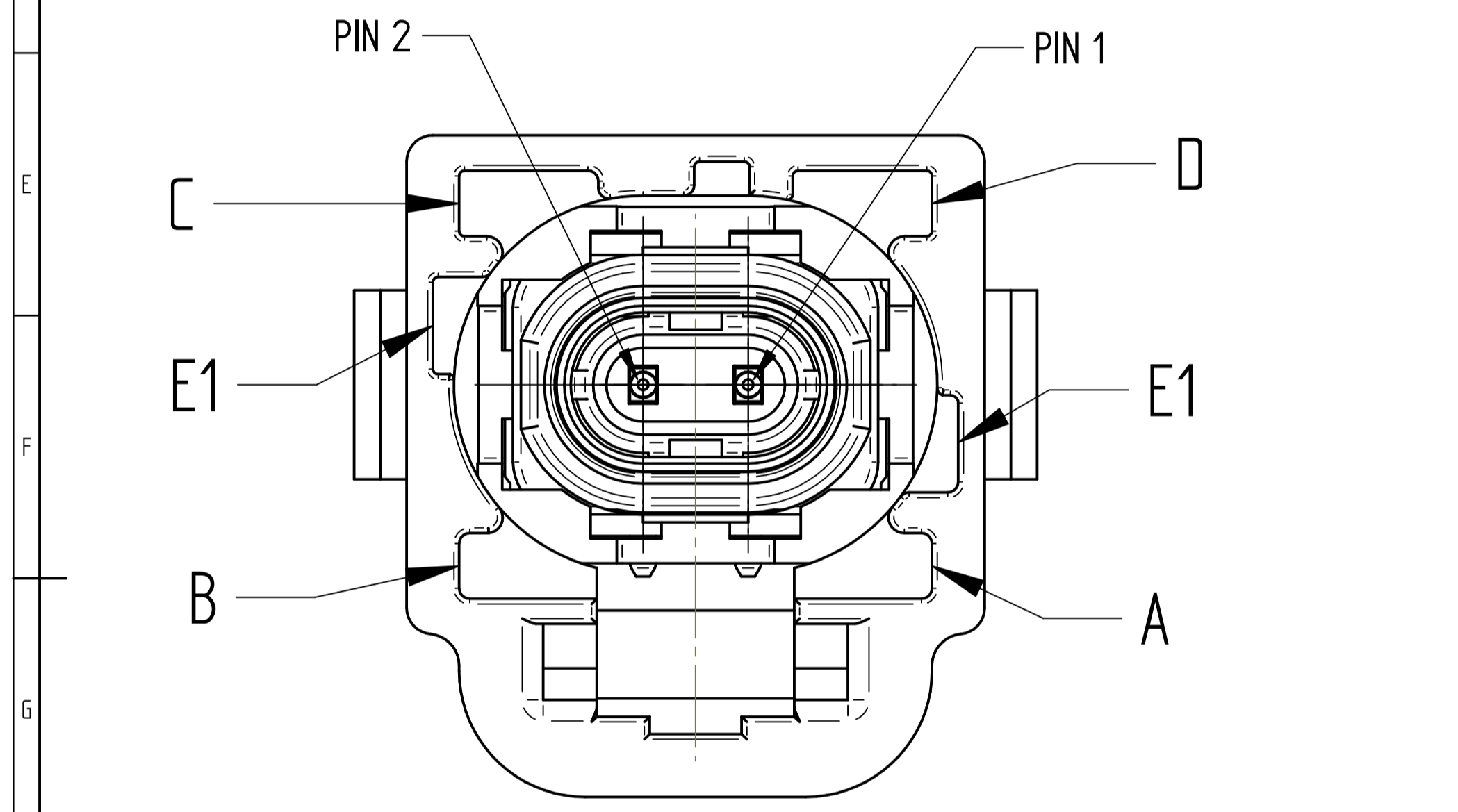
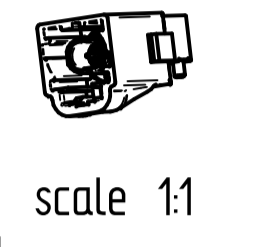
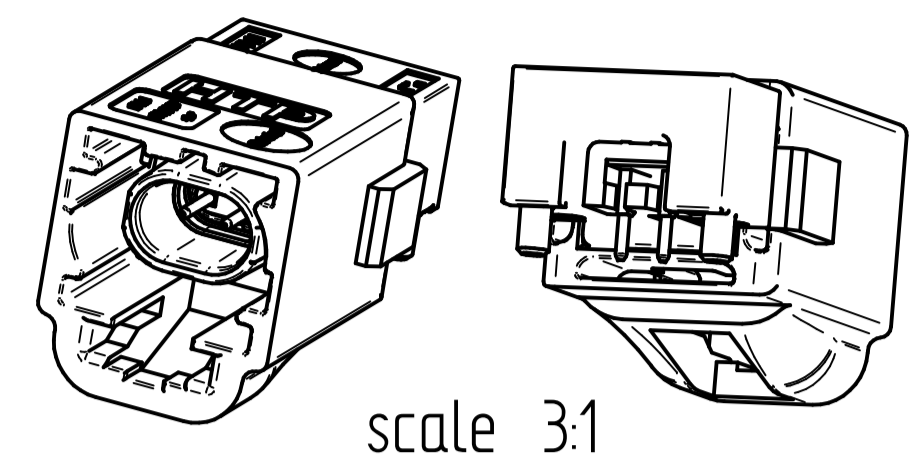
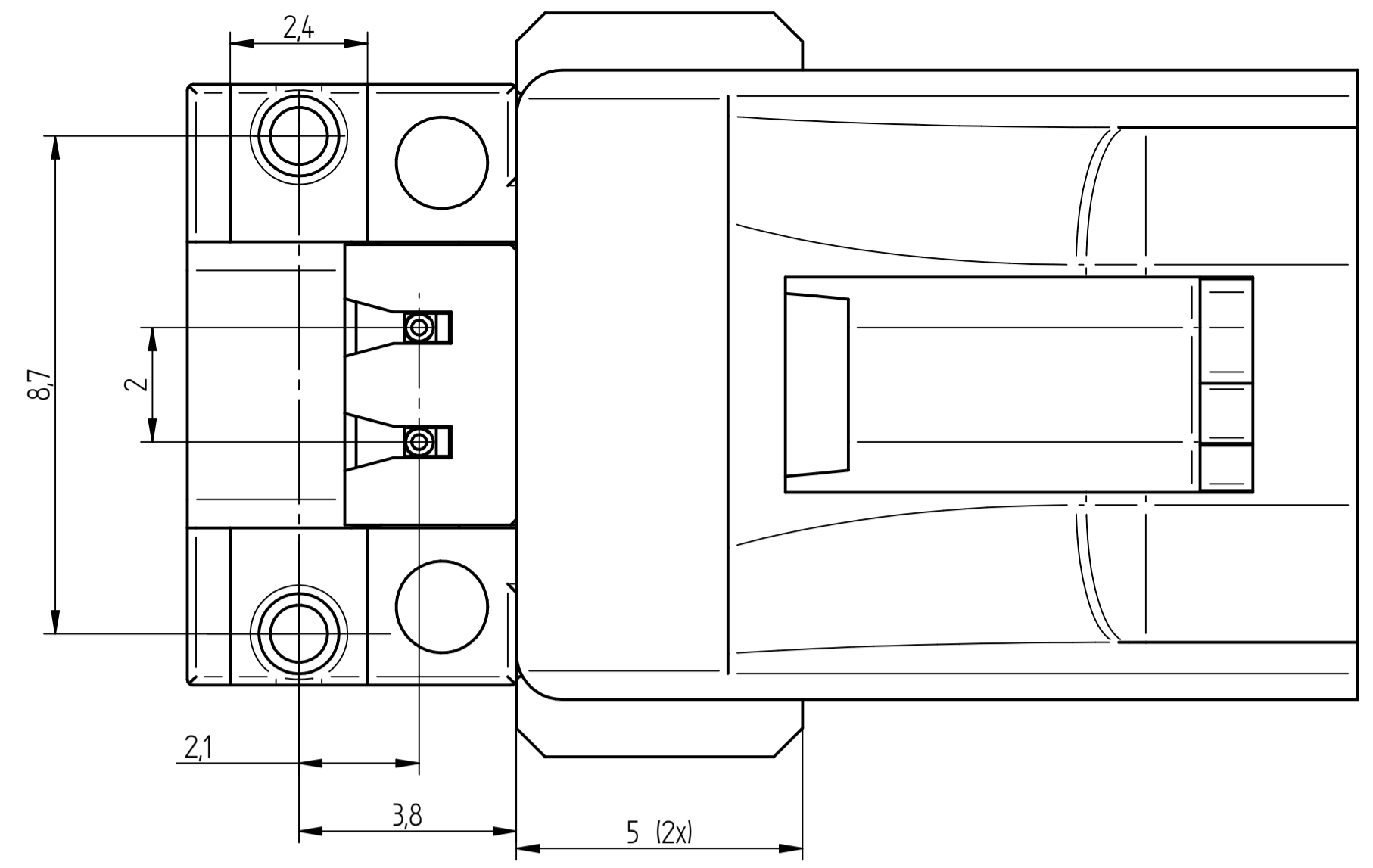
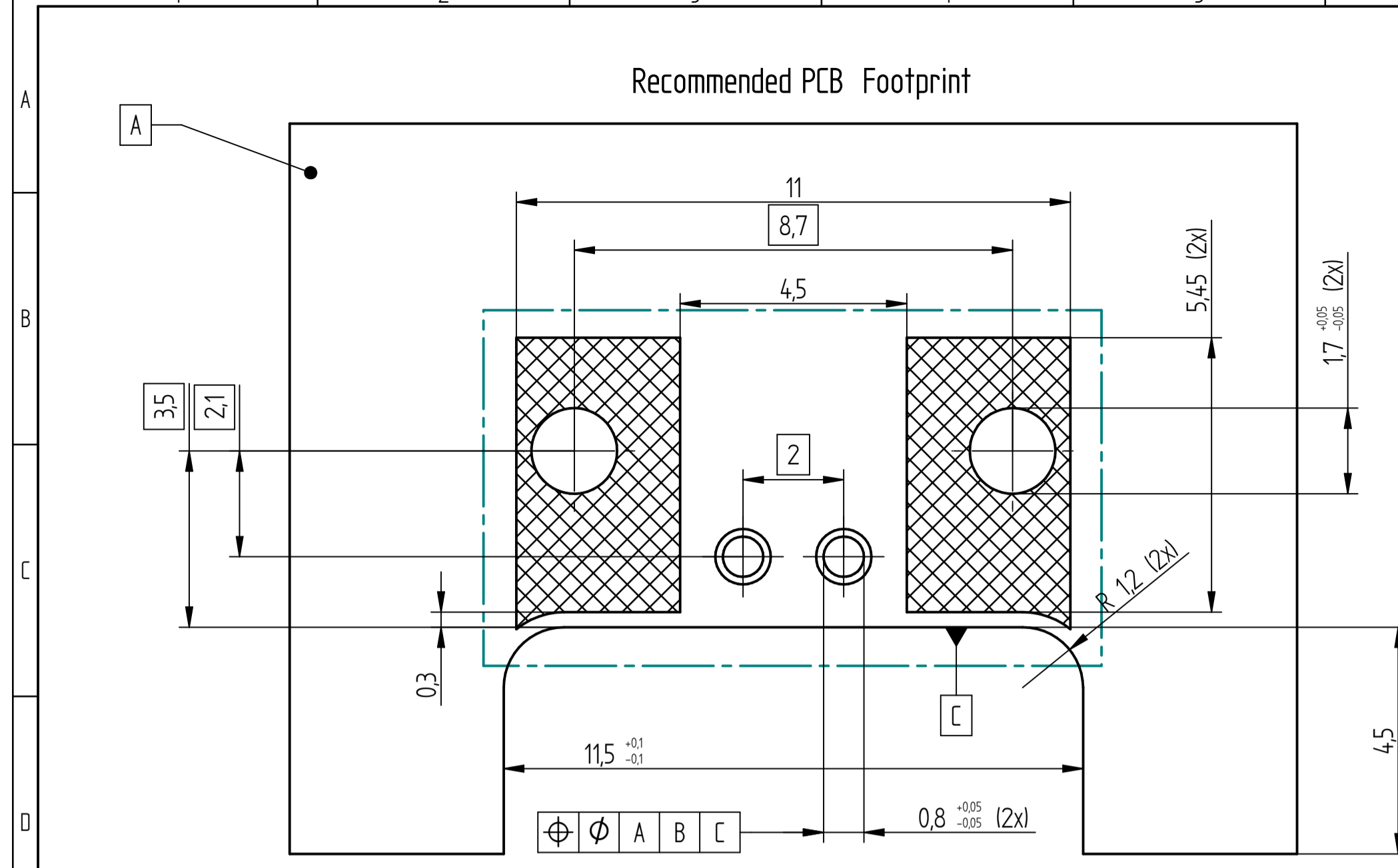


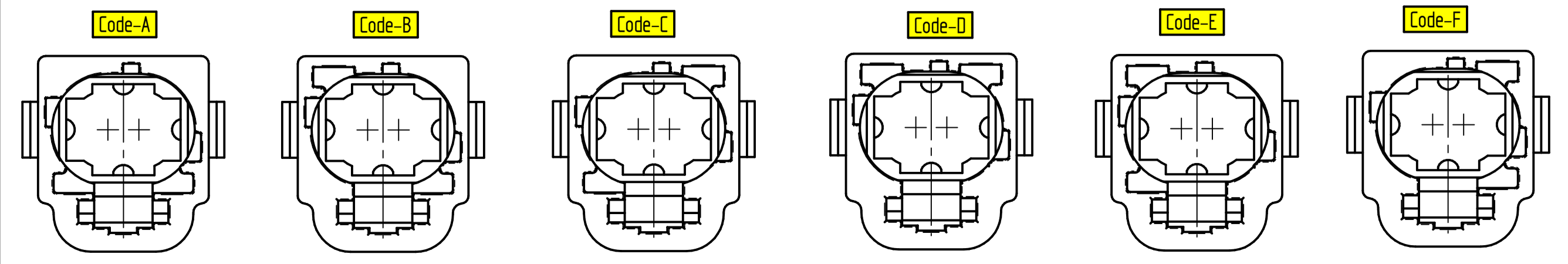
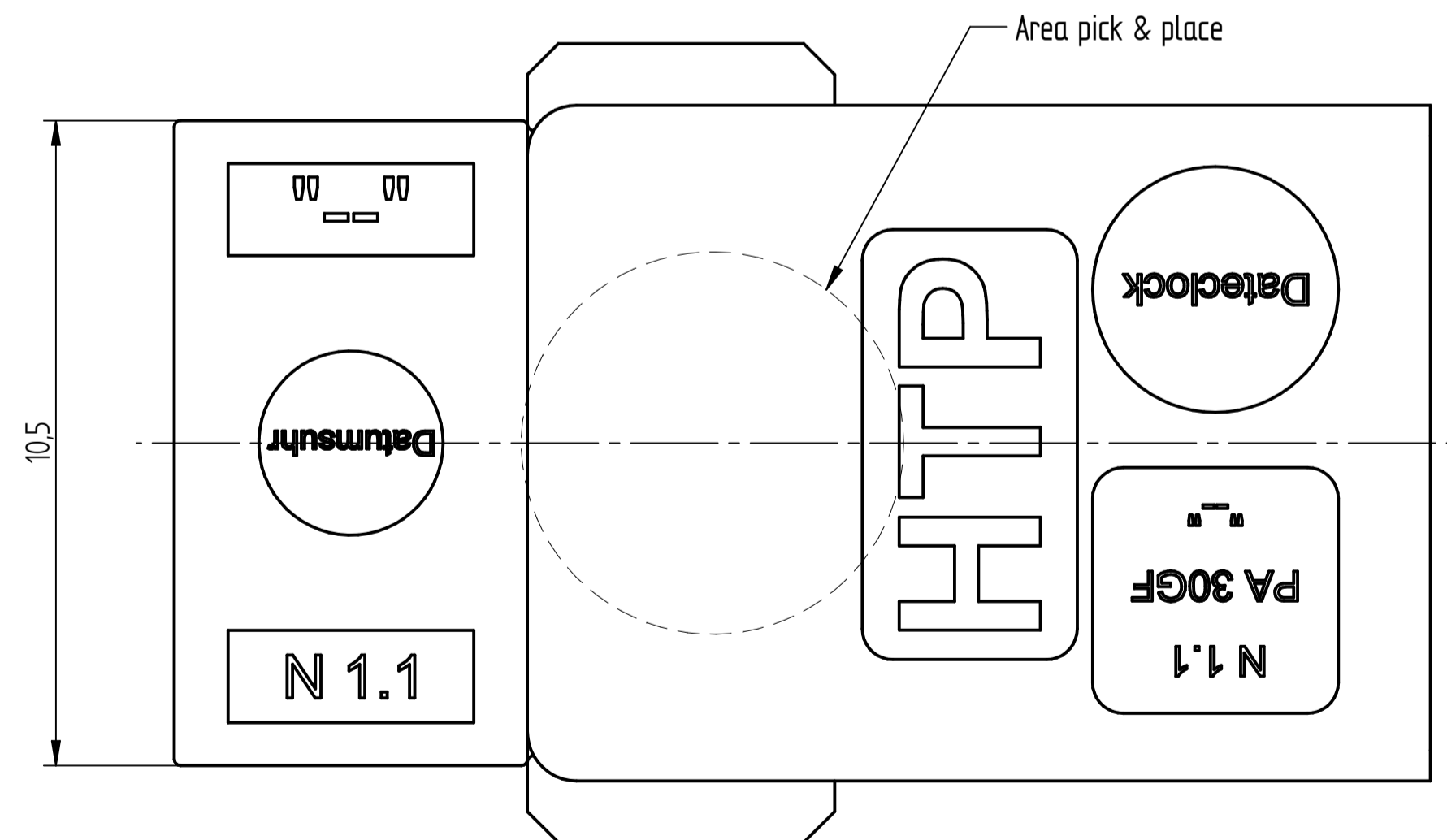
Revision history				
Change ID	Rev.	Alteration	Date	Name
223516	A02	New drw. frame, surface revise	28/01/22	phalmosi
222957	A03	Switch to LCP material	09/08/22	phalmosi



Kodierungsvariante X muss in Zeichnungsnummer festgelegt werden, wenn eine Bestellung ausgelöst wird.
Coding Type X have to be stated within the drawing number, when an order is placed

Kodierung Z ist dargestellt
Coding Z is shown

Kodierungsvariante Coding Type "X"	Kodiernut A Coding A	Kodiernut B Coding B	Kodiernut C Coding C	Kodiernut D Coding D	Kodiernut E1 Coding E1	Kodiernut 6 Coding 6	Farbe color	ähnlich RAL similar RAL
	A	offen open	offen open	gesperrt closed	gesperrt closed	offen open	tiefschwarz jet black	9005
	B	offen open	gesperrt closed	offen open	gesperrt closed	offen open	reinweiss pure white	9010
	C	gesperrt closed	offen open	gesperrt closed	offen open	offen open	lichtblau light blue	5012
	D	gesperrt closed	gesperrt closed	offen open	offen open	offen open	bordeauxviolett claret violet	4004
	E	gesperrt closed	offen open	offen open	gesperrt closed	offen open	maigrün may green	6017
	F	offen open	gesperrt closed	gesperrt closed	offen open	offen open	nussbraun nut brown	8011
	Z	offen open	offen open	offen open	offen open	offen open	wasserblauwate rblue	5021



Part	Material	Plating
1	Housing	diecast
2	Plastic Housing	PA GF30
3	Centre Pin contact	brass
4	Insulator	LCP (A03)

Projection - ISO 5456	Unit system - Metric	General tolerance	Note	Document type
	All dim. in (mm)	ISO 2768 mH		Acceptance drawing
Created by cmuellingner	Approved by	Title p.c.b mount angle plug 6.00 pos.	Supplementary title Anbauwinkelstecker 6.00 pos	Drawing number 5529HTP.1X20.00Z
		Rev.	Date of issue	Lang. Sheet
		A 03	28/02/2019	EN 1/1