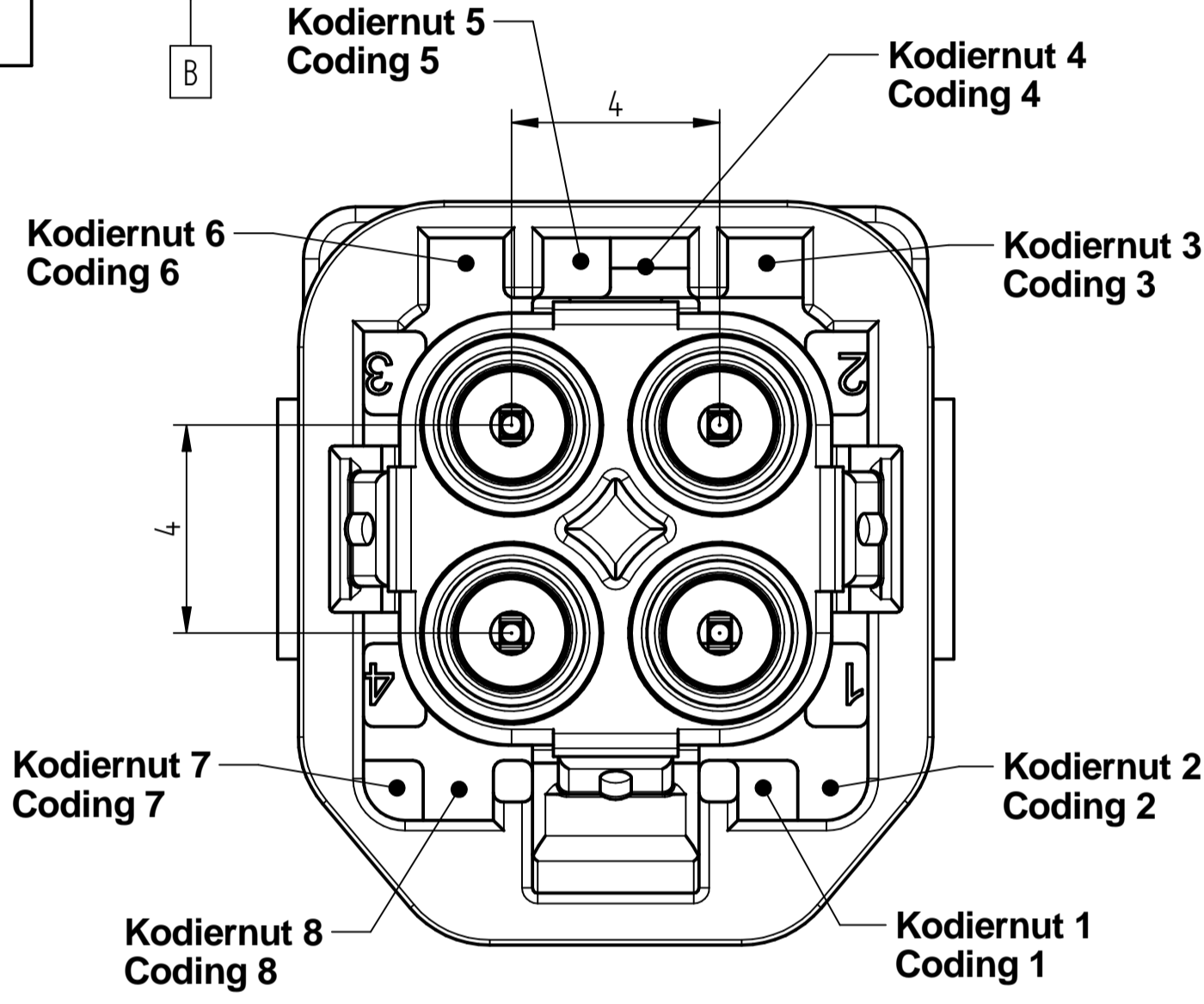
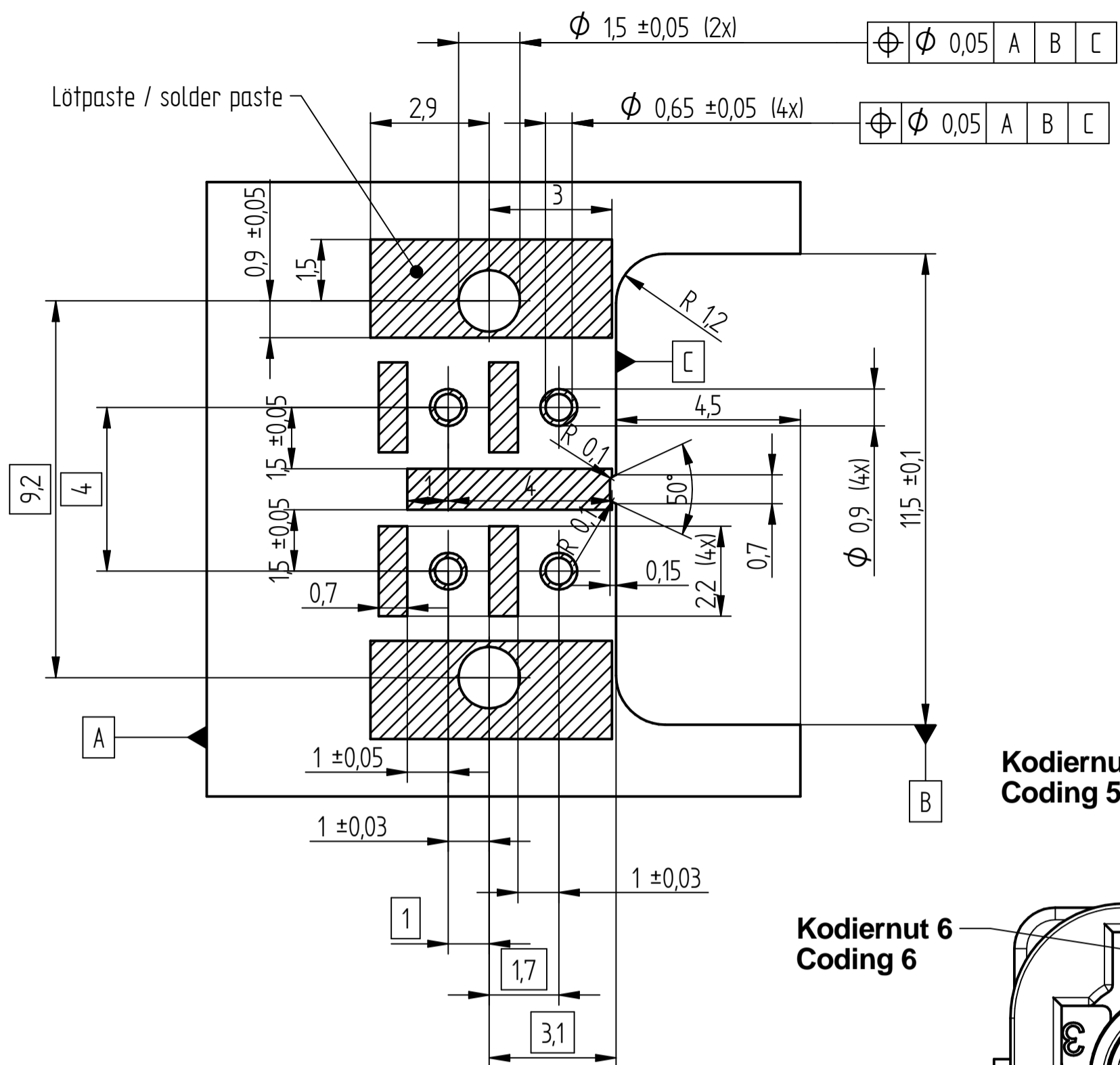


Empfohlenes Leiterplattenlayout - ( nur zur Information )  
Recommended PCB Footprint - ( only for information )

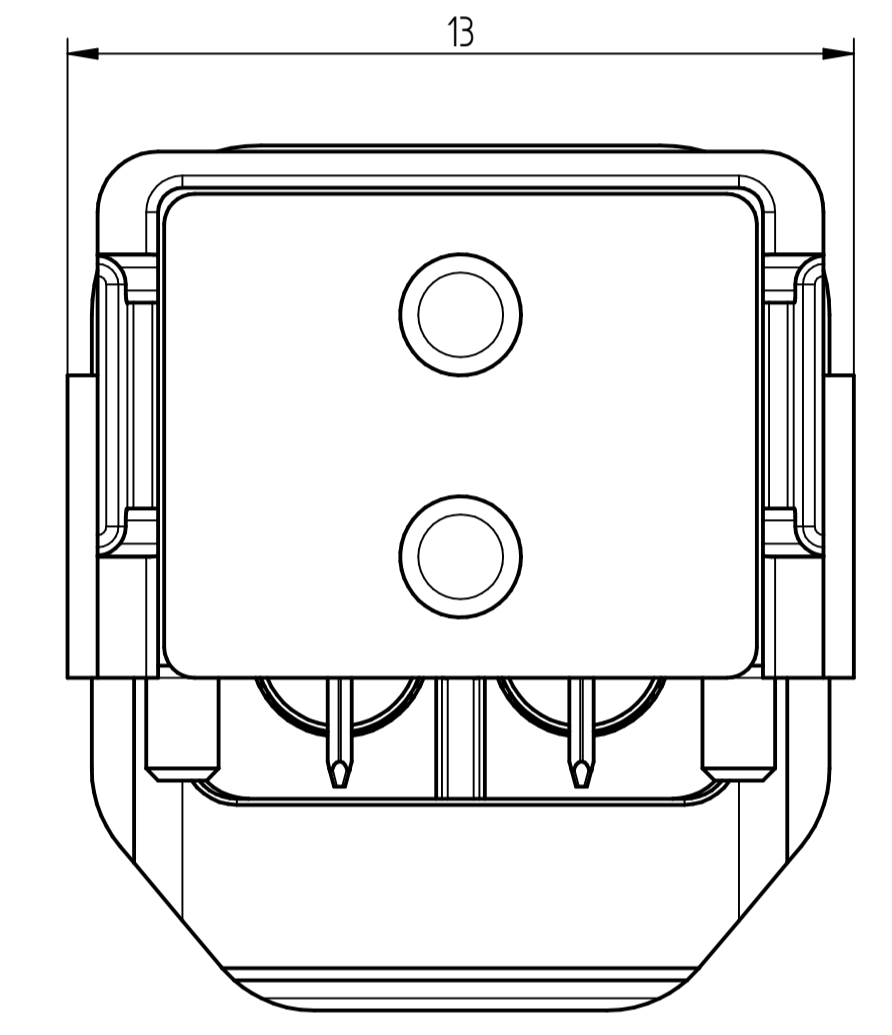
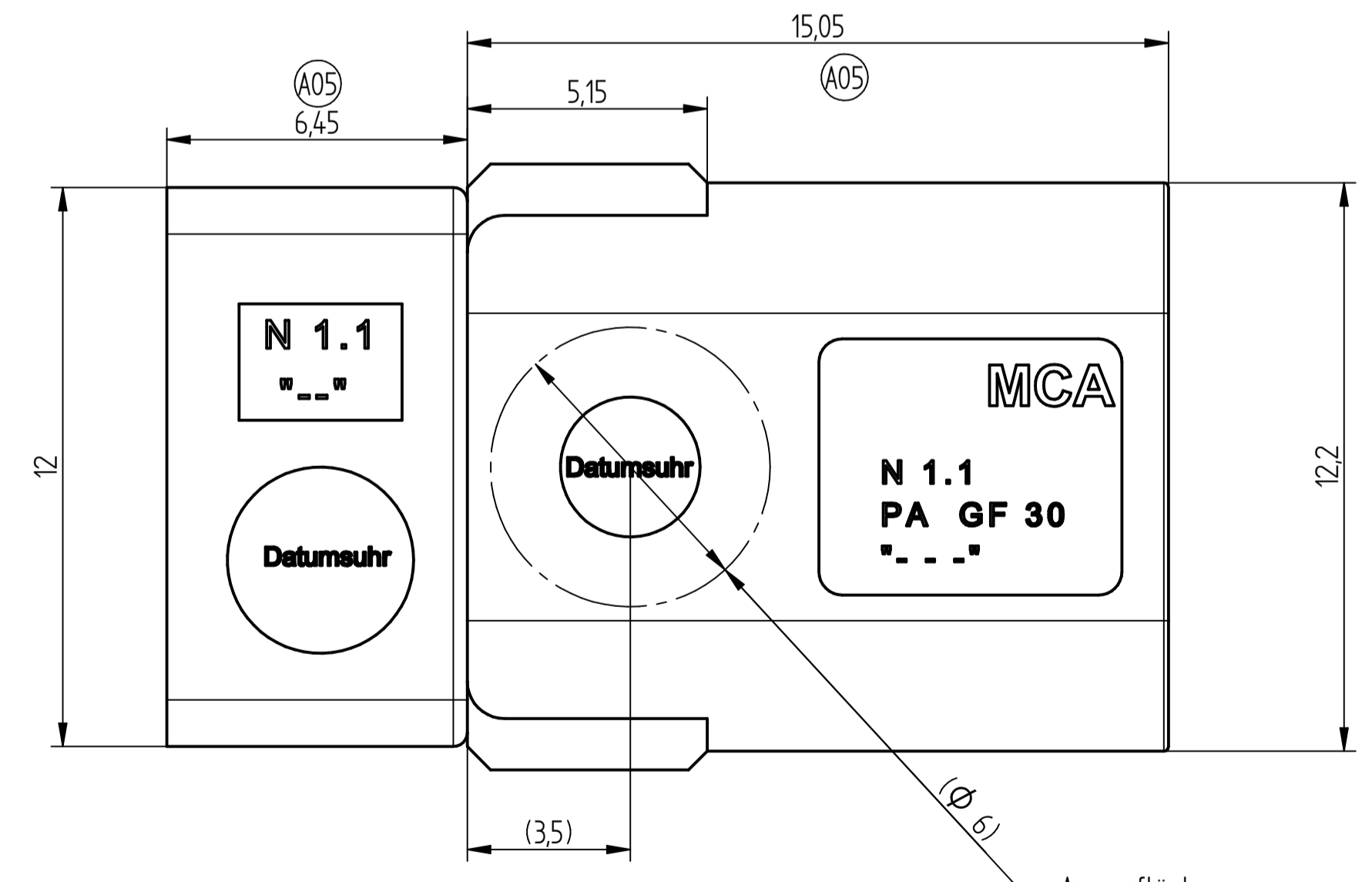
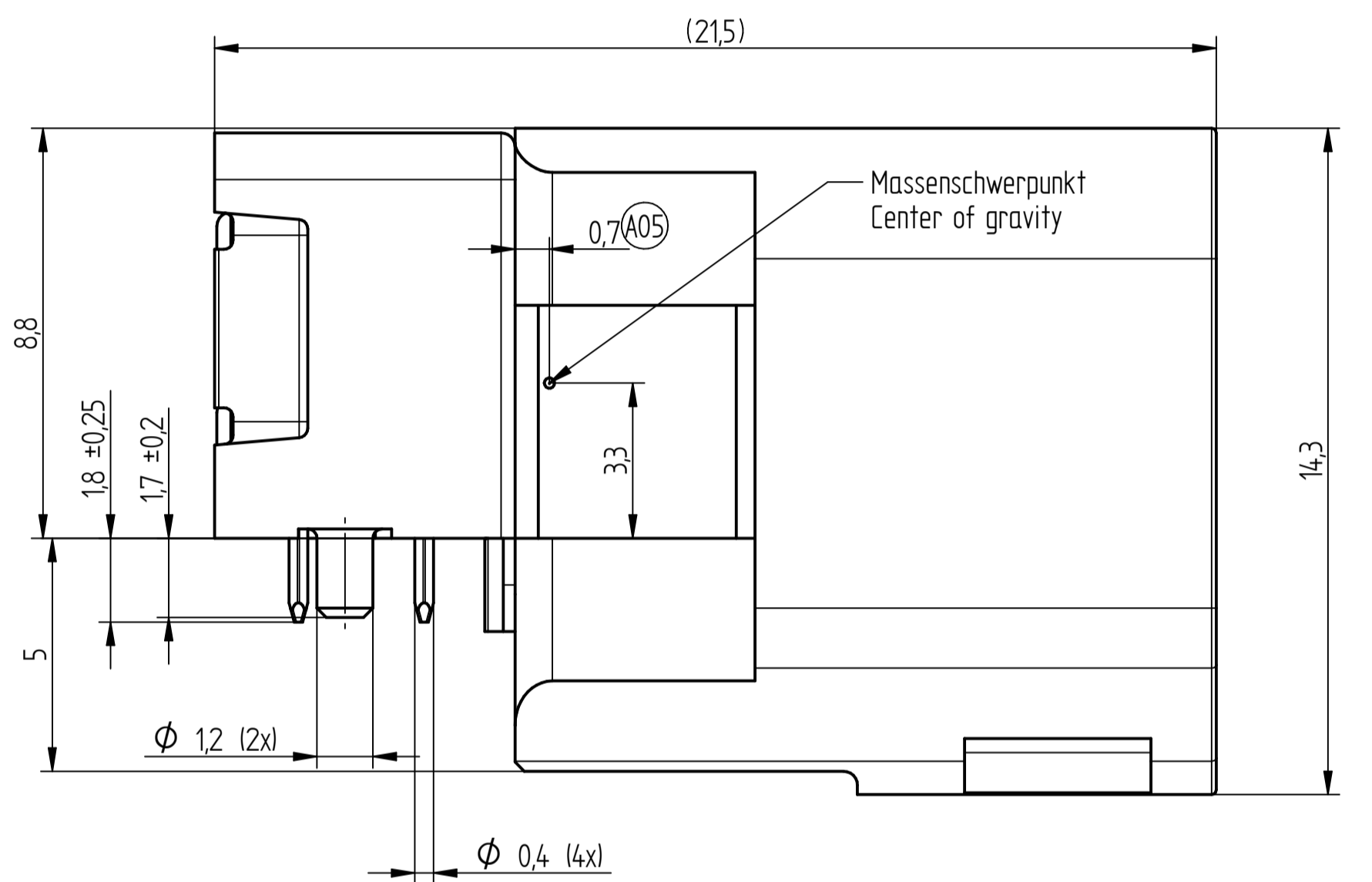
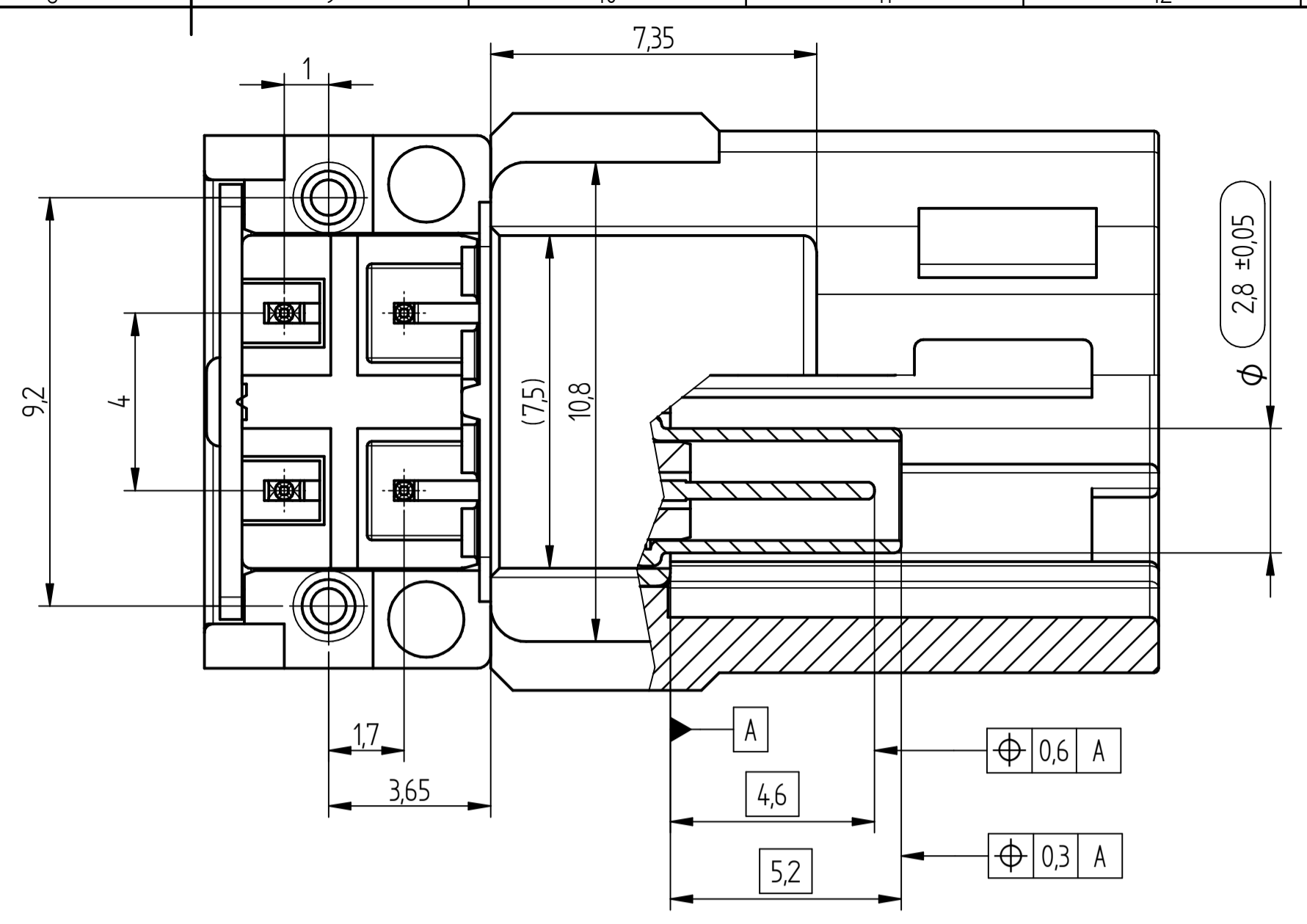


Kodierung A ist dargestellt  
Coding A is shown

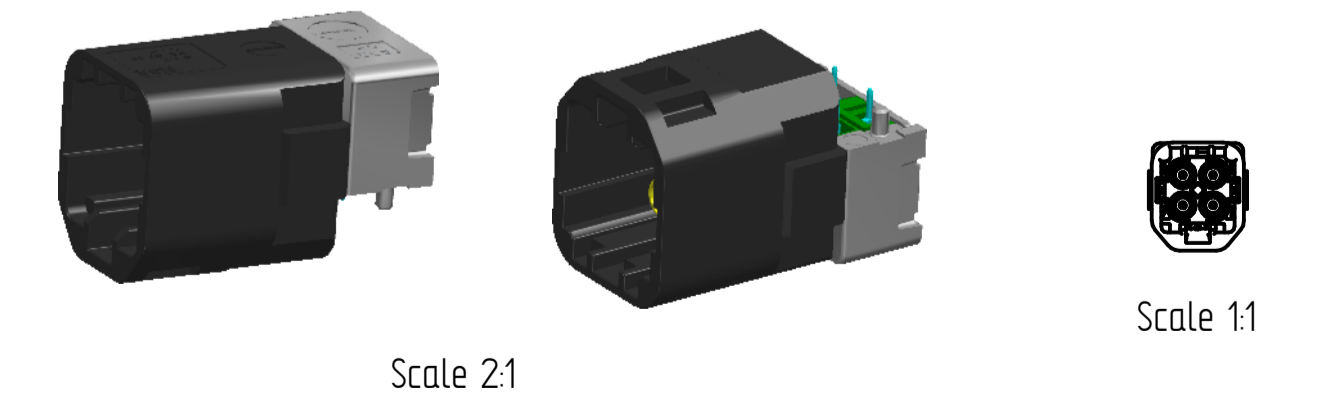
Kodierungsvariante X muss in Zeichnungsnummer festgelegt werden, wenn eine Bestellung ausgelöst wird.  
Coding Type X have to be stated within the drawing number, when an order is placed

Kodierungsvariante Coding Type "X"	Kodiernut 1 Coding 1	Kodiernut 2 Coding 2	Kodiernut 3 Coding 3	Kodiernut 4 Coding 4	Kodiernut 5 Coding 5	Kodiernut 6 Coding 6	Kodiernut 7 Coding 7	Kodiernut 8 Coding 8	Farbe color	ähnlich RAL similar RAL	
	A	gesperrt closed	offen open	gesperrt closed	offen open	gesperrt closed	offen open	gesperrt closed	offen open	tiefschwarz jet black	9005
	B	offen open	gesperrt closed	offen open	gesperrt closed	offen open	gesperrt closed	offen open	gesperrt closed	reinweiss pure white	9010
	C	gesperrt closed	offen open	gesperrt closed	offen open	offen open	gesperrt closed	offen open	gesperrt closed	lichtblau light blue	5012
	D	offen open	gesperrt closed	offen open	gesperrt closed	gesperrt closed	offen open	gesperrt closed	offen open	bordeauxviolett claret violet	4004
	E	offen open	offen open	gesperrt closed	gesperrt closed	offen open	offen open	gesperrt closed	gesperrt closed	maigrün may green	6017
	F	gesperrt closed	gesperrt closed	offen open	offen open	gesperrt closed	gesperrt closed	offen open	offen open	nussbraun nut brown	8011
	Z	offen open	offen open	offen open	offen open	offen open	offen open	offen open	offen open	wasserblau waterblue	5021

Part	Material	Variable Z = Plating / surface code			
		1	4	7	9
Housing	diecast			Sn	
Cap	stainl.steel				
Plastic Housing	PA GF-30				
Centre Pin contact side	brass			Ag	
Centre Pin pcb side	brass			Ag	
Outer Contact contact side	brass			Sn	
Outer Contact pcb side	diecast			Sn	
Insulator	LCP				



Revision history				
Change ID	Rev.	Alteration	Date	Name
224102	A02	Private Labeling away	01.04.22	rschwaer
225855	A03	Change acc. RF	30.05.22	rschwaer
Design	A04	acc. RF-simulation new epsilonR	07.09.22	umayer
Design	A05	revised	06.10.22	ekleiser



Projection - ISO 5456	Unit system - Metric	General tolerance	Note	Document type
	ALL dim. in (mm)	ISO 2768 mH		Acceptance drawing
Created by	Approved by	Title	Supplementary title	Drawing number
ekleiser		MCA-PCB mount angle plug 4-pol	MCA-PCB-Anbauwinkelsstecker 4-P	5488MCA1X20.00Z
Rev.	Date of issue	Lang.	Sheet	Scale
A 05	16.04.2020	EN	1/1	8:1