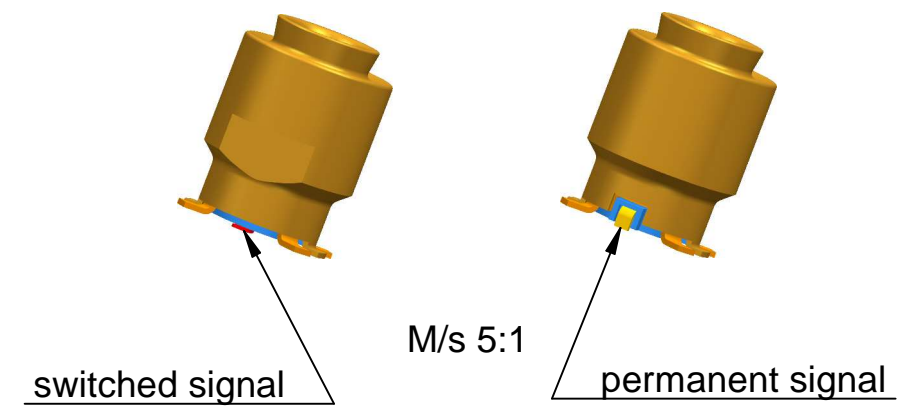
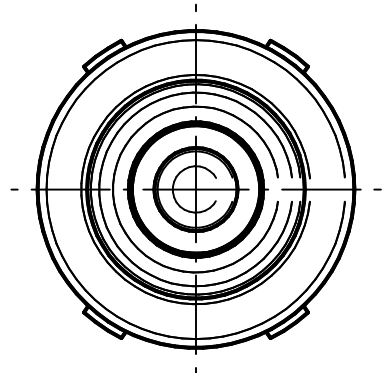
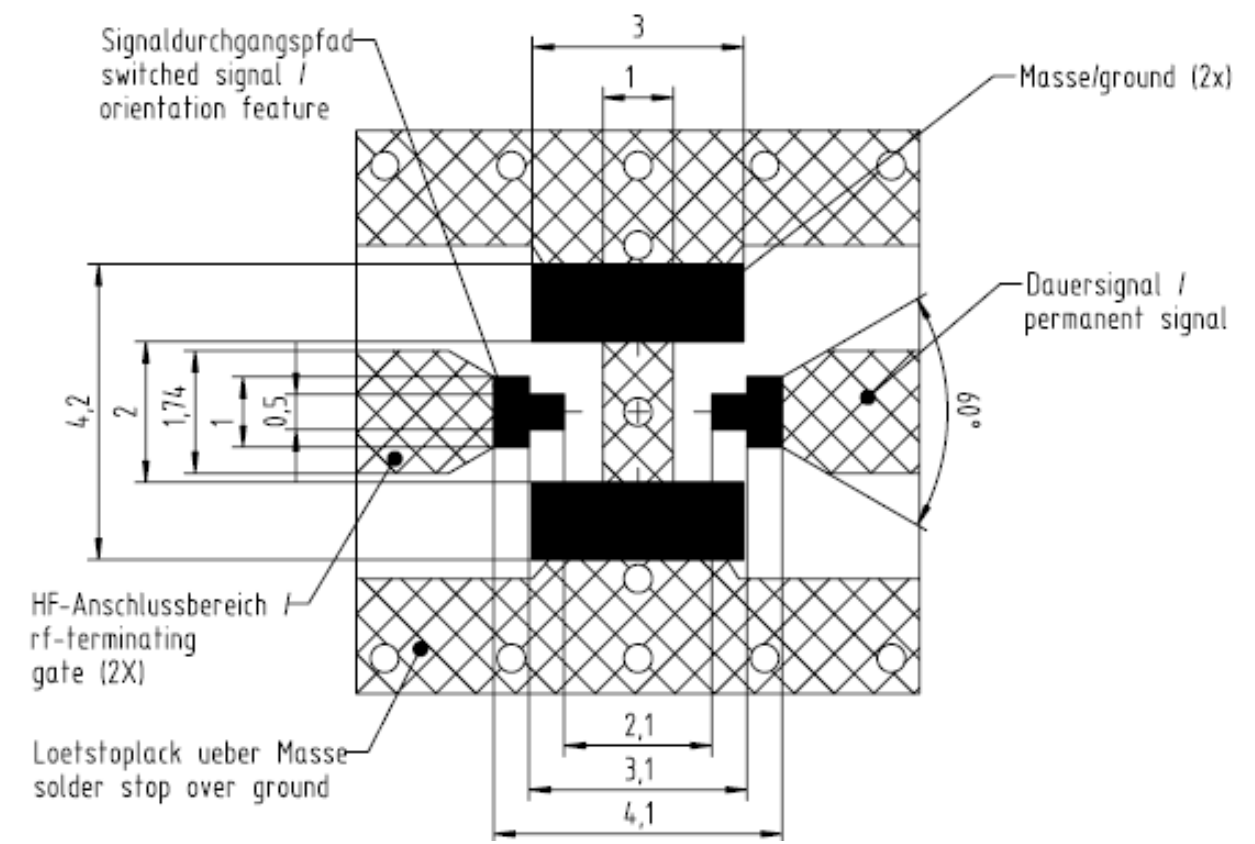
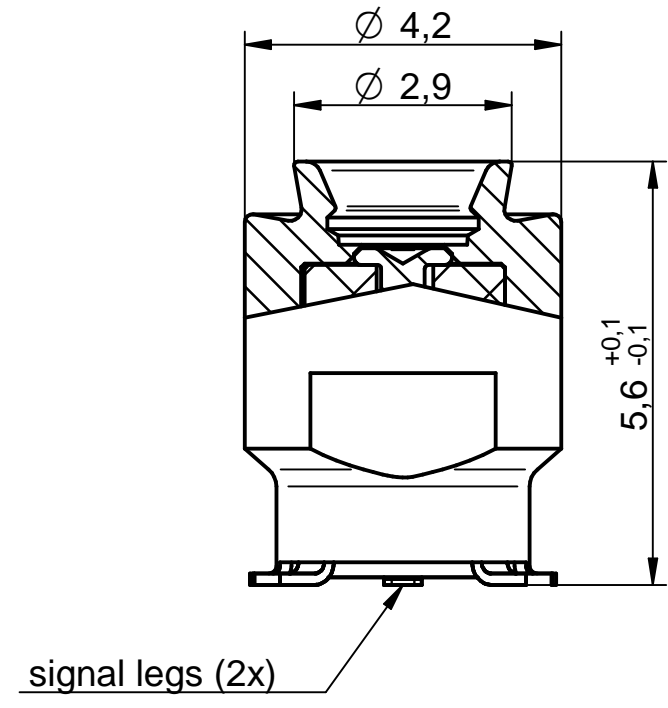
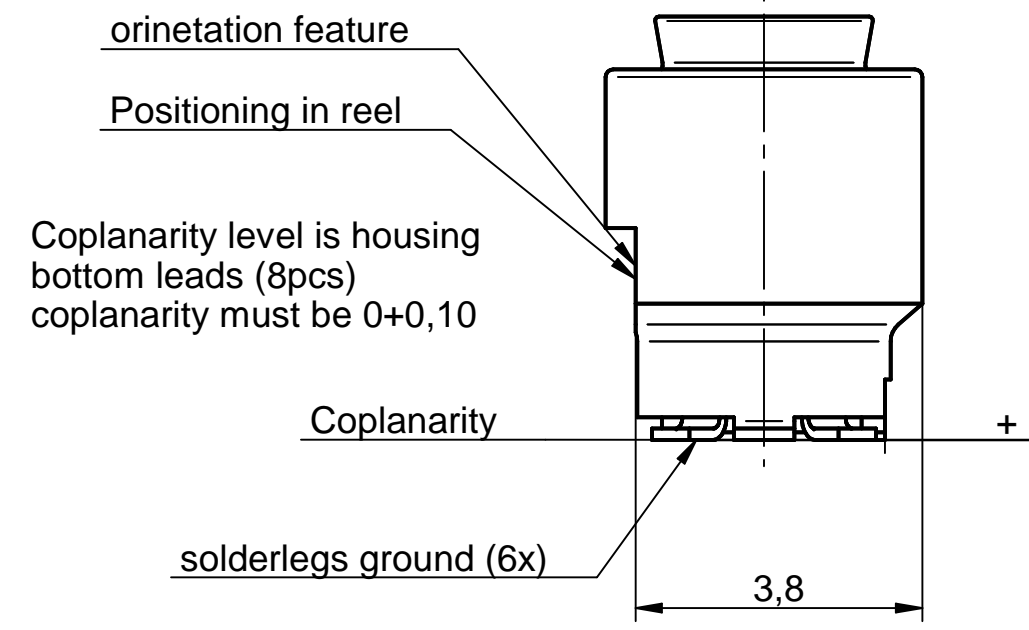


Material und Beschichtung /  
material and plating:

- Gehäuse / housing - Brass / - Au
- Isolierung / insulation - PTFE
- Federn / springs - CuBe / Bronze / - Au
- Pin / center pin - Bronze / - Au
- Andere / Others - stainless steel / - Au



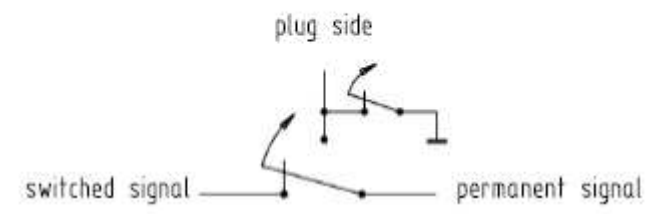
PCB Layout Proposal S10:1  
Detailed information can be seen at the specification.



Packing  
Tape & Reel  
125 parts / m  
1400 parts per reel

Compliance with prohibitions  
and restrictions to EU/EWG/EC:  
76/769/EWG : Yes  
2002/95/EC (RoHS): Yes  
2011/65/EC (RoHS2): Yes

Axial sealed : IP67  
ESD protected



<b>IMS CONNECTOR SYSTEMS</b>					general tolerance ISO 2768 mH angle: ±5°		scale: 10:1	
					date		name	
			generate	12.06.17	mcsenki	Assembly instruction: Stripping dimension: <b>SMT Schalter</b>		
			checked	13.06.17	Pözl			
			Norm			<b>SMT Switch</b>		
						5434.99.0030.00Z		Rev.
nr.	rev.	alteration	date	name				