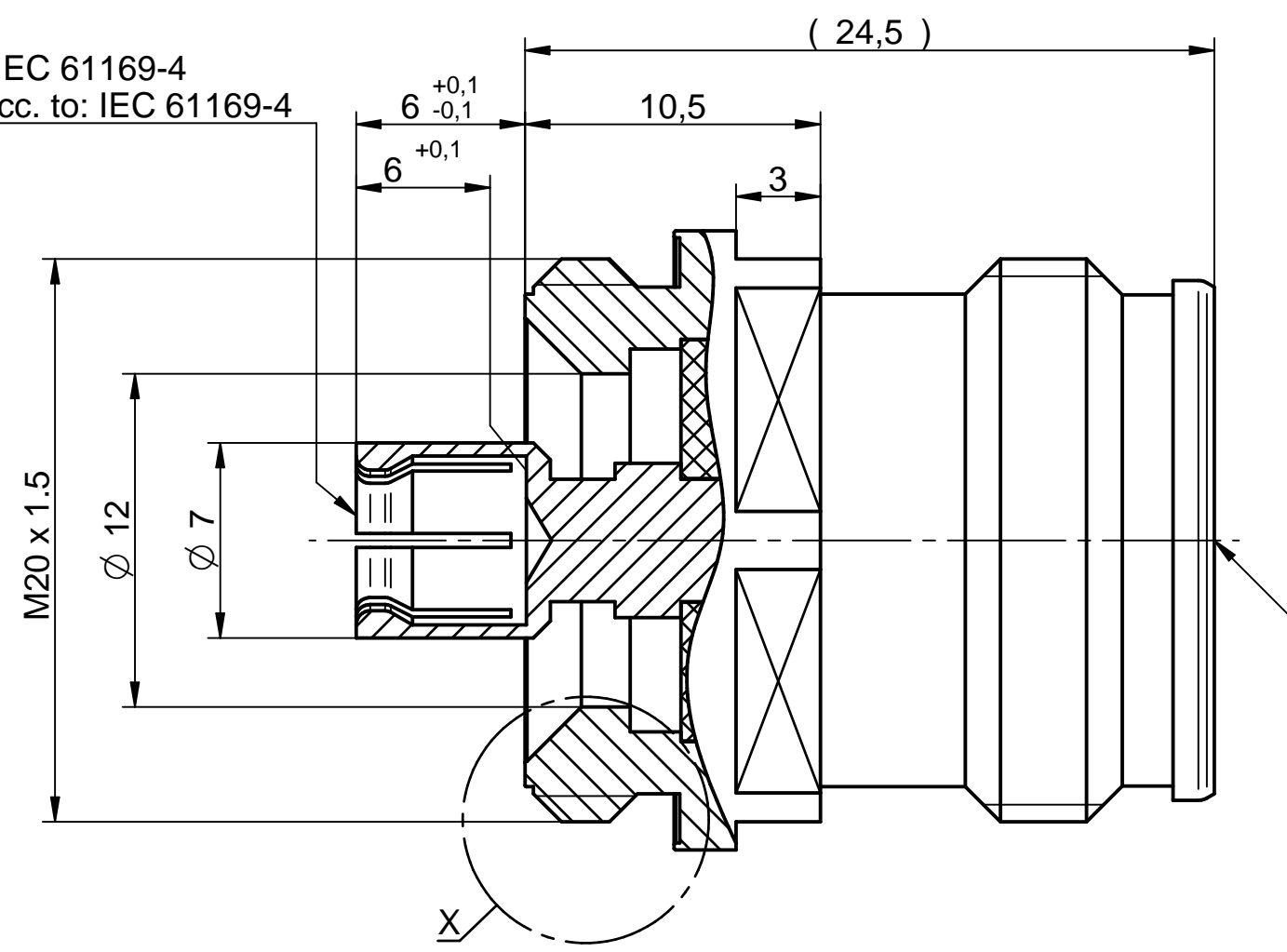
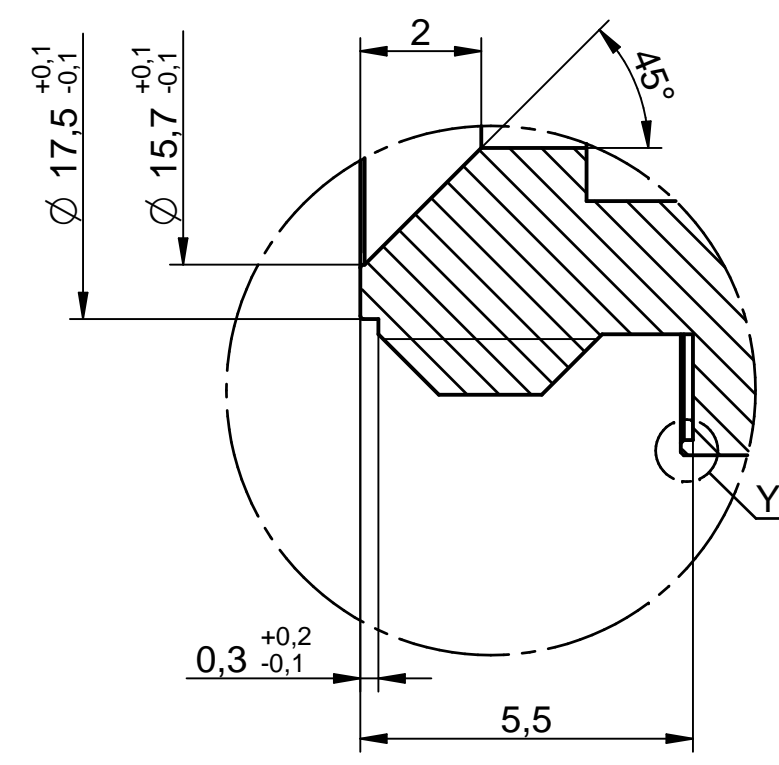


Innenleiter nach: IEC 61169-4  
 Inner conductor acc. to: IEC 61169-4

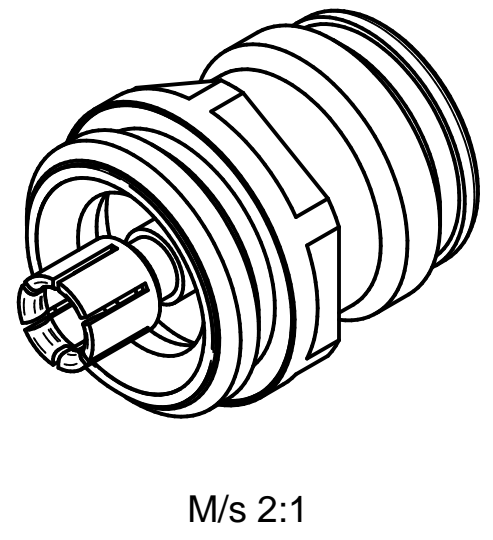
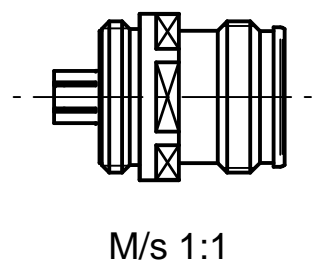
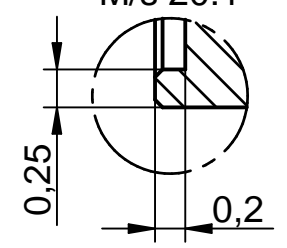


Steckbereich nach: IEC 61169-54  
 mating area acc. to: IEC 61169-54

Einzelheit / detail X  
 M/s 8:1



Einzelheit / detail Y  
 M/s 20:1



IMS CONNECTOR SYSTEMS		general tolerance		scale: 4:1	
		ISO 2768		Assembly instruction:	
		mH		Stripping dimension:	
		angle: ±3°		4.3/10 (f) - Einbaubuchse	
		date	name	4.3/10 (f) - Panel jack	
		generate	28.09.15	F Fab.	
		checked			
		Norm			
PEC_10910_01	d	across flat, diam.	27.04.16	F Fab.	
design	c	revised	14.01.16	F Fab.	
design	b	revised	15.12.15	F Fab.	
design	a	change acc. sim.	13.10.15	F Fab.	
nr.	rev.	alteration	date	name	
					Rev. d