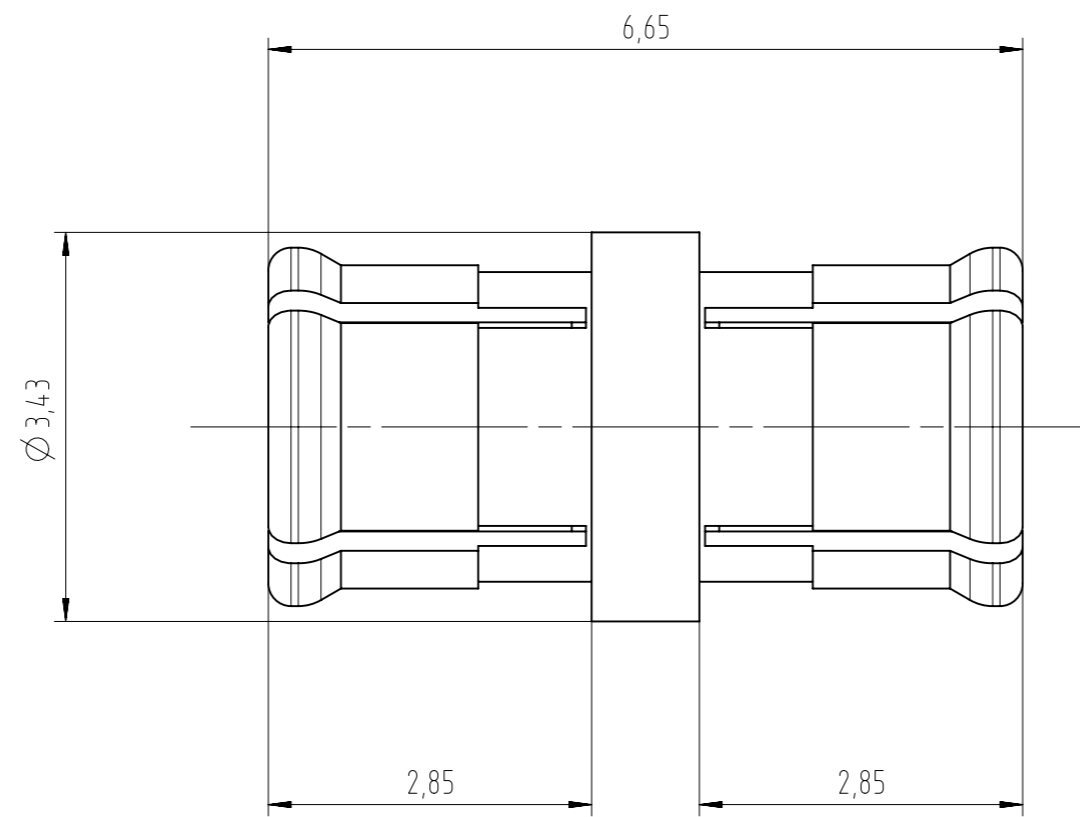
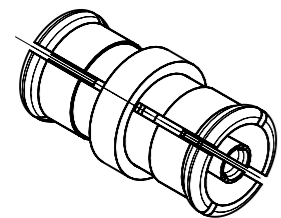


A B C D E F G H

1
2
3
4
5
6



SCALE 5:1



SCALE 1:1



					general tolerance		scale: 15:1	
					ISO 2768		L=6,65mm	
		mH				SMPL(f)-SMPL(f)-Adapter		
		date		name		SMPL(f)-SMPL(f)-Adapter		
		12.12.11		Schwaer				
		checked						
		Norm						
		056762						
						4962.SMPL.9910.00'		
						Rev.		
nr.	rev.	alteration	date	name				

A B C D E F G H