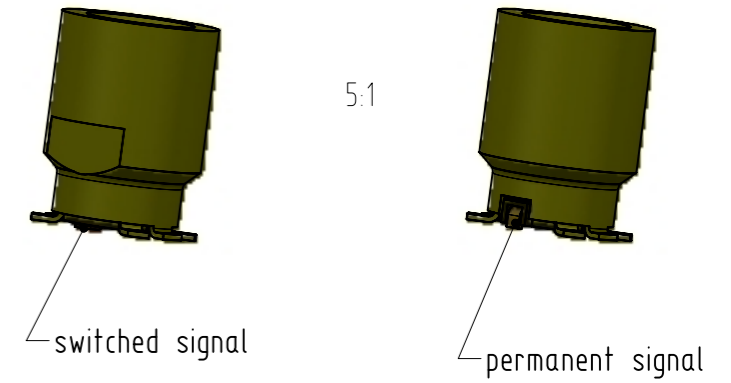


Material und Beschichtung /
material and plating :

- Gehäuse/housing - Brass - Au
- Isolierung/insulation - PTFE
- Federn/springs - CuBe/Bronze - Au
- Pin/center pin - Bronze - Au
- Andere/Others - Stainless steel - Au



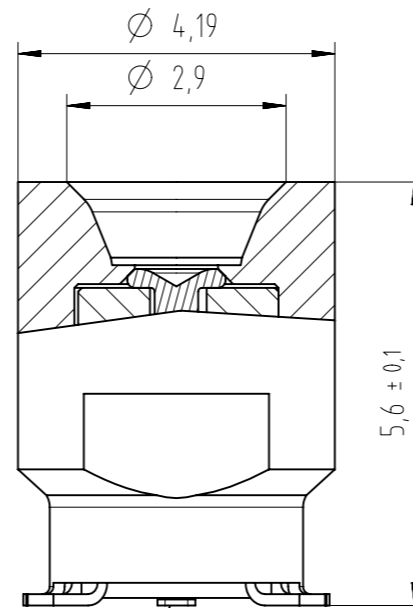
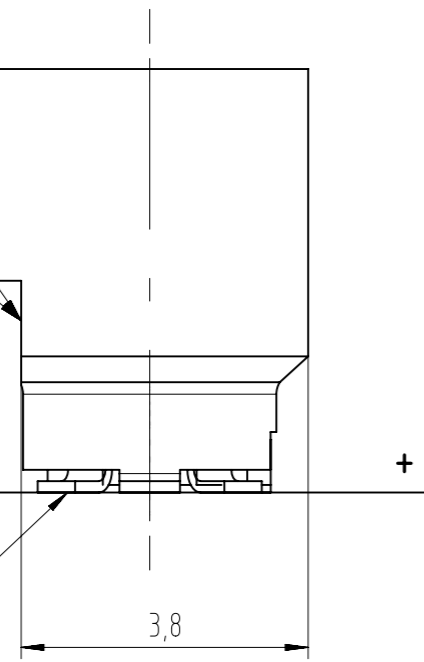
PCB Layout Proposal S10:1
Detailed information can be seen at the specification.

orientation feature
Positioning in reel

(A) Coplanarity level is housing
bottom Leads (8 pcs)
co-planarity must be 0+0,10

(A) Coplanarity

solderlegs ground (6x)



signal legs (2x)

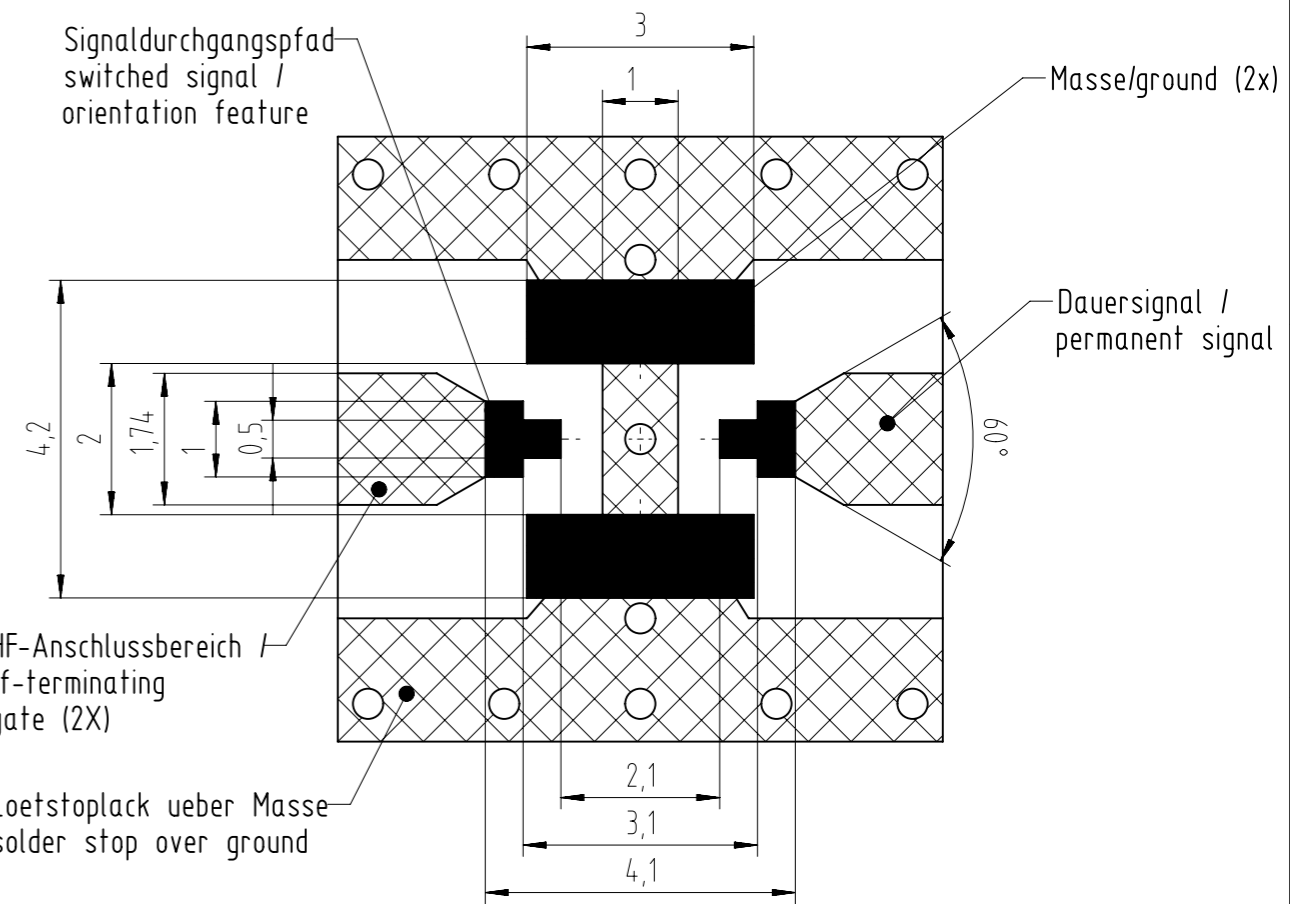
Signaldurchgangspfad
switched signal /
orientation feature

Masse/ground (2x)

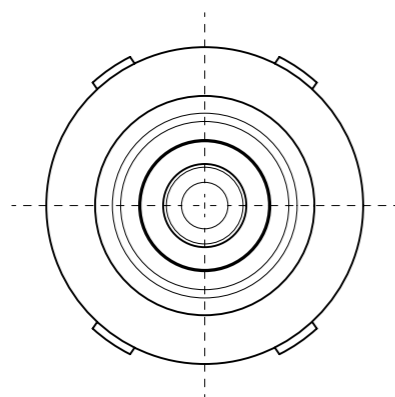
Dauersignal /
permanent signal

HF-Anschlussbereich /
rf-terminating
gate (2X)

Loetstoplack ueber Masse
solder stop over ground

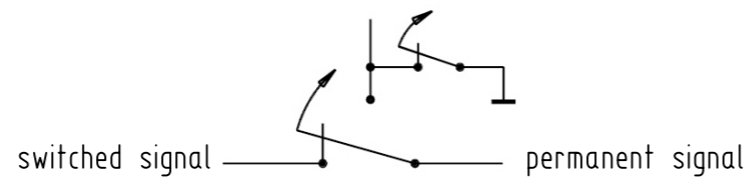


Packing
Tape & Reel
AGK-4210



Axial sealed : IP67
ESD protected

plug side



Compliance with prohibitions
and restrictions to EU/EWG/EC :
761769/EWG : YES
2002/95/EC (RoHS): YES



IMS CONNECTOR SYSTEMS		general tolerance	ISO 2768	scale: 10:1
		ISO 2768	-m-	
		mH	0,5-3 ± 0,1 3,0-6 ± 0,1 6,-30 ± 0,2	
		date	name	
		generate	18.07.11	Muellinger
		checked		
		Norm		
		056137		
		SMT-Schalter		Rev.
				4923.99.0030.003
nr.	rev.	alteration	date	name