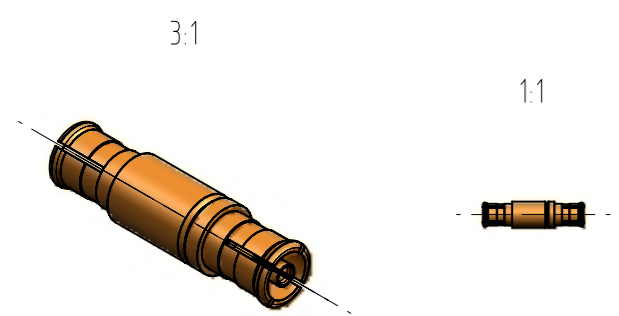


Erkennungsrille (SMPL)  
Identification groove (SMPL)



					general tolerance ISO 2768 mH	scale: 15:1	
						L=13,5mm	
					date	name	<b>SMPL(f)-SMP(f)-Adapter</b> SMPL(f)-SMP(f)-Adapter
					23.10.09	Schwaer	
					Norm		4726.SMPL.9910.00'
					054232		
EC_073_11	b	Insulation changed	01.09.11	CMB			Rev. b
design	a	Change nu.	30.01.09	RSch			
nr.	rev.	alteration	date	name			