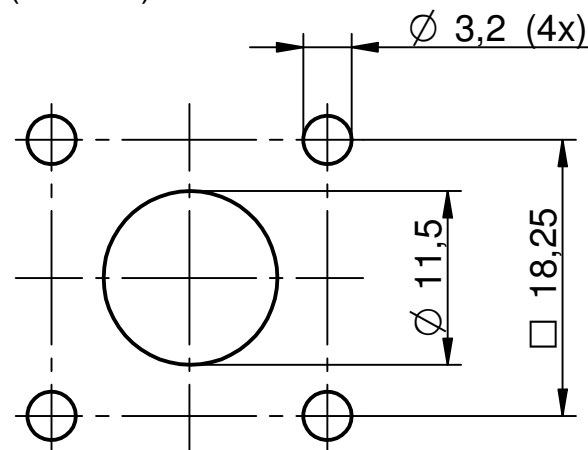
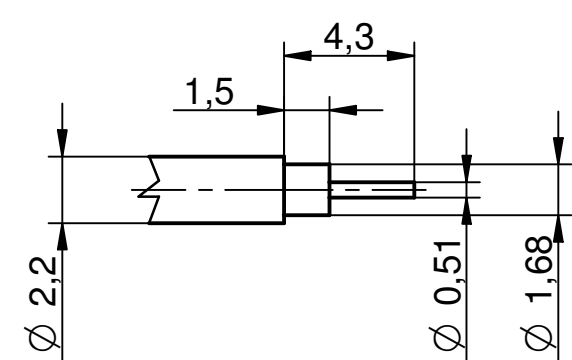


Montagebohrungen  
Mounting holes  
(M/s 2:1)



Kabelzuschnitt (UT-85)  
Stripping dimension (UT-85)



Part	Material	Surface
Housing	Stainless steel	Passivated
Centre Contact	Copper-Beryllium	Ni-P + 0,15 Au
Connecting piece	Brass	Cu flash+Ni+0,8Au
Insulator	PTFE	-
Gasket	Fluorsilikon 70 Shore	-

		general tolerance ISO 2768 mH angle: ± 5°	scale: 4:1		
		date	name		
generate	04.05.09	Pözl	TNC-Flansch kabelbuchse 50Ω TNC-Flange mount cable jack 50Ω		
checked					
Norm			4659.02.2118.7'6		
nr.	rev.	alteration	date	name	Rev.