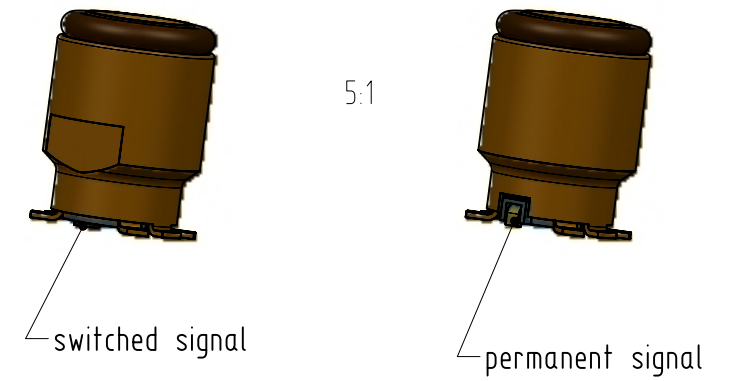
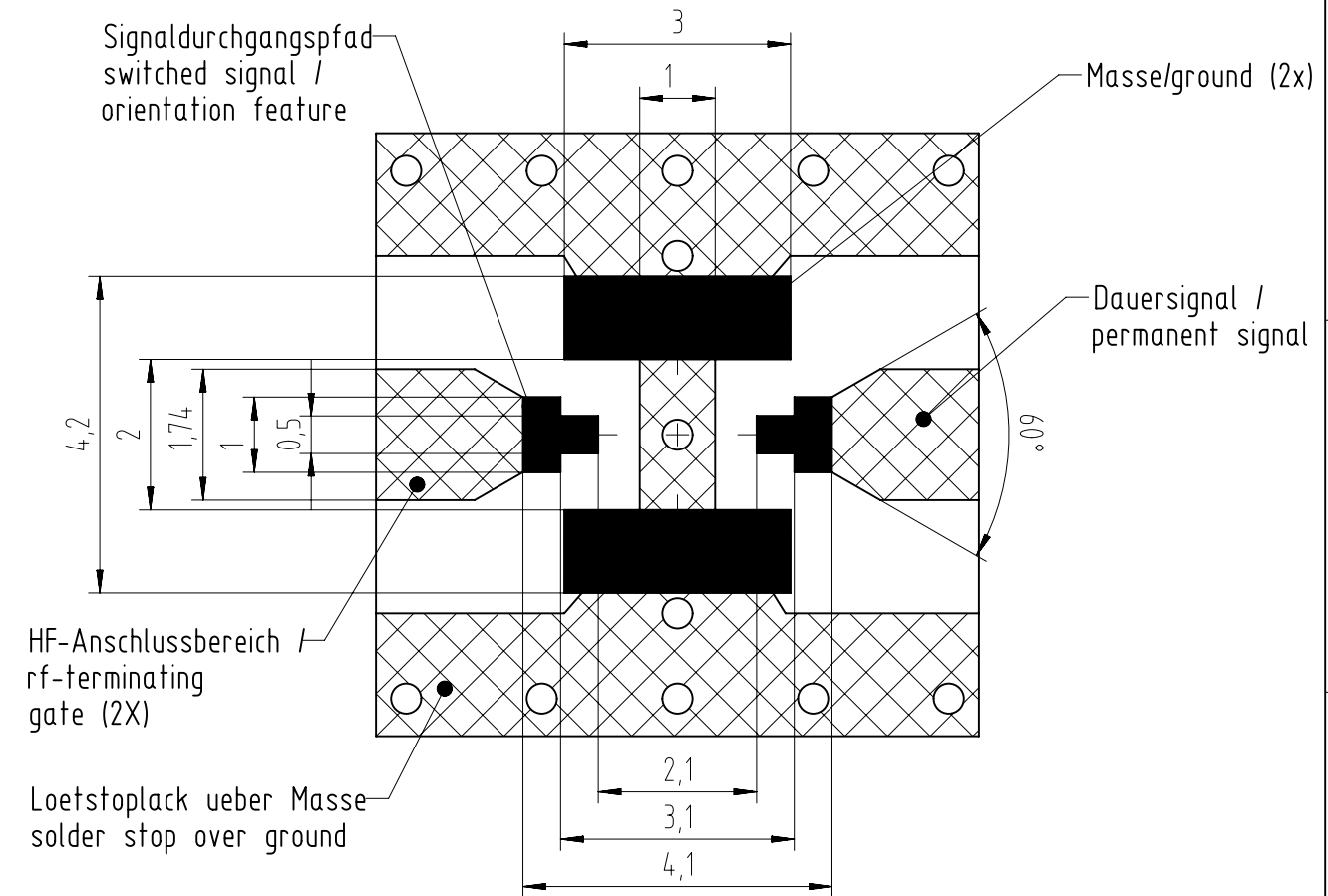
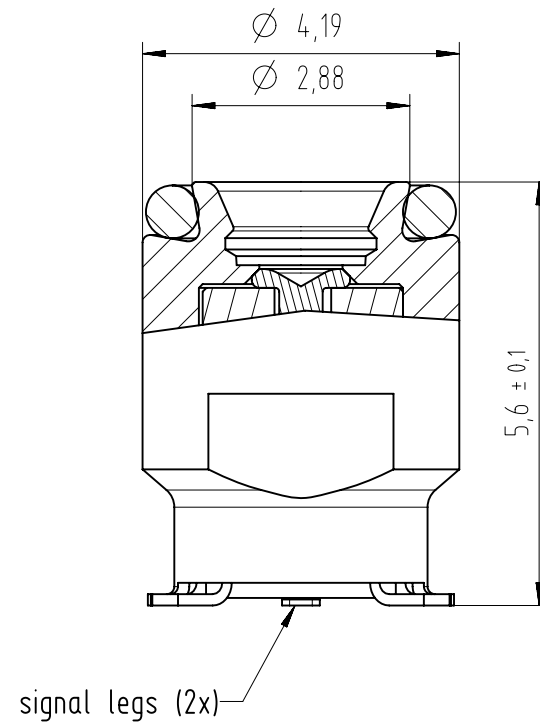
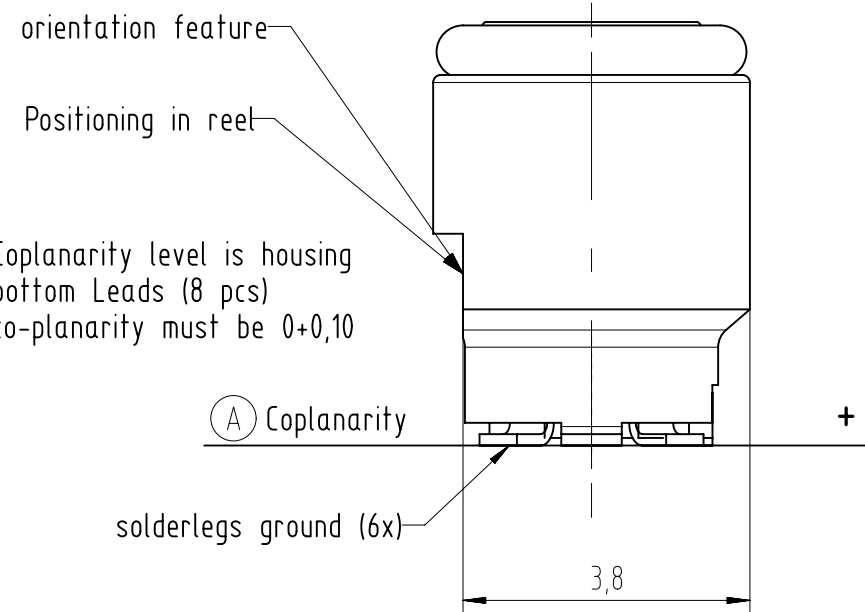


Material und Beschichtung /
material and plating :

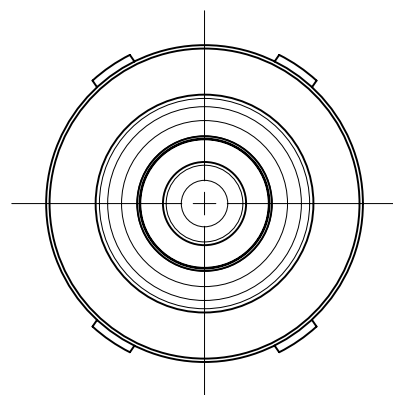
- Gehäuse/housing - Brass - Au
- Isolierung/insulation - PTFE
- Federn/springs - CuBe/Bronze - Au
- Pin/center pin - Bronze - Au
- Andere/Others - Stainless steel - Au



PCB Layout Proposal S10:1
Detailed information can be seen at the specification.

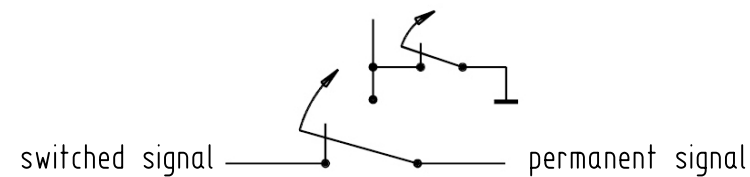


Packing
Tape & Reel tbd



Axial sealed : IP67
ESD protected

plug side



Compliance with prohibitions
and restrictions to EU/EWG/EC :
761769/EWG : YES
2002/95/EC (RoHS): YES



IMS CONNECTOR SYSTEMS					general tolerance	ISO 2768	scale: 10:1			
					ISO 2768	-m-				
					mH	0,5-3 ± 0,1				
						3,0-6 ± 0,1				
						6,-30 ± 0,2				
					date	name				
					generate	07.07.08	Falkenster			
					checked					
design	e	PCB Layout	26.01.09	CMB	Norm		SMT Schalter SMT Switch			
design	d	Ueberarbeitung	16.12.08	CMB	0524.15					
design	c	Dimension modified	20.11.08	KF			4546.99.0030.00'			
design	b	Locking device	09.10.08	KF						
design	a	Modified	20.09.08	KF			Rev. e			
nr.	rev.	alteration	date	name						