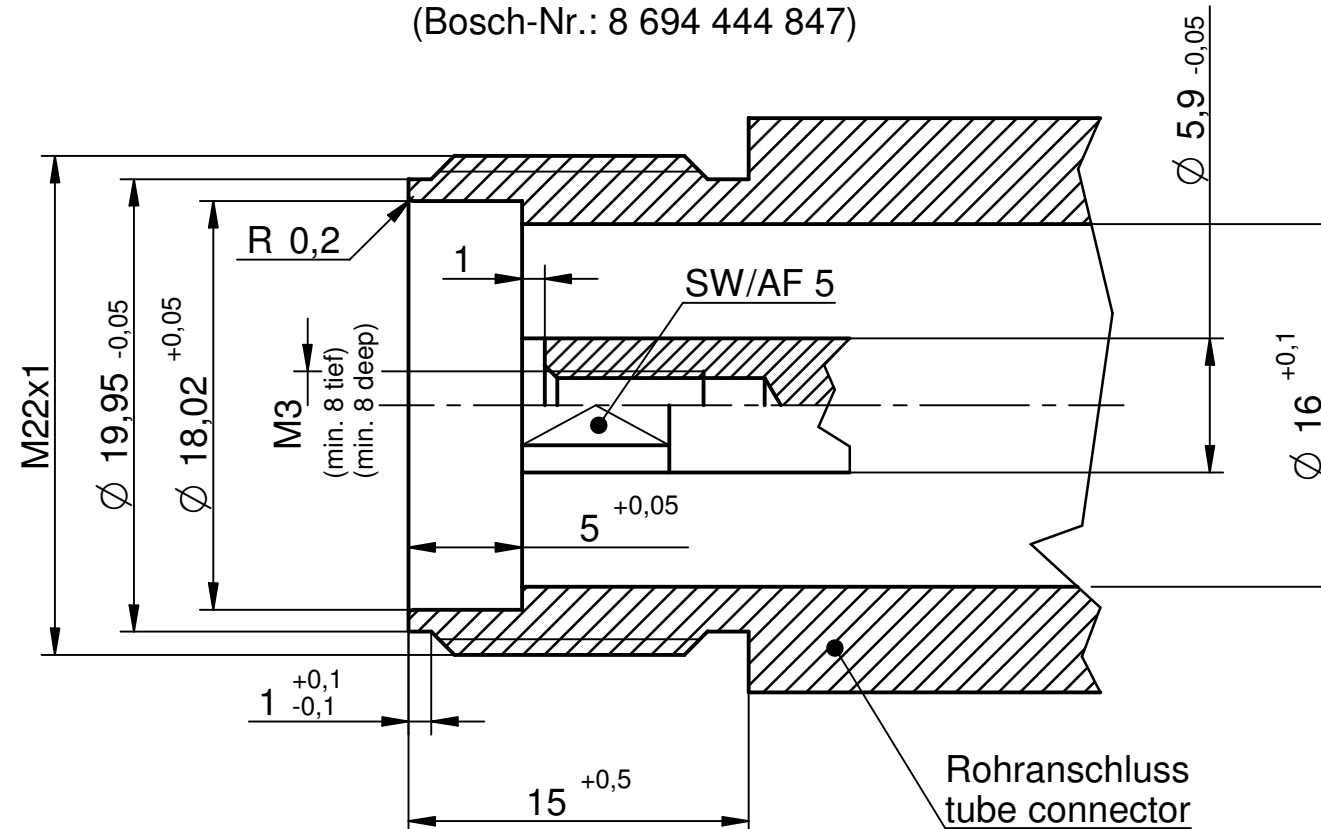
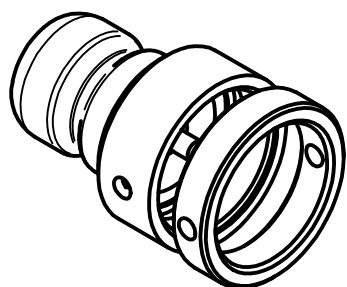


Kundenseite / Customer side

(Bosch-Nr.: 8 694 444 847)



M/s 1:1



		general tolerance ISO 2768 mH angle: $\pm 5^\circ$	scale: 3:1		
			Assembly instruction: Stripping dimension:		
	date	name	Adapter (Schnellkupplung) KS 406 Adapter (Quick coupling) KS 406		
	generate 31.10.06	Pölz			
	checked				
	Norm				
			4225.DNS.2010.009		
nr.	rev.	alteration	date	name	Rev.