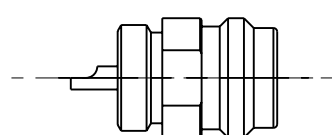
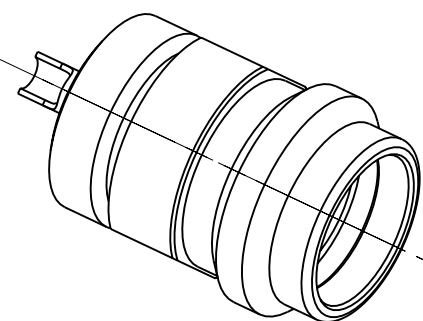


Steckbereich ähnlich /
mating area similar to
IEC 169-16

21

11



Outcoming inspection required
Level _____ Aql 15

				general tolerance		scale 5:1	
				ISO 2768		Assembly instruction: Stripping dimension	
		mH		date		name	
				generate 27.07.06		Schwaer	
				checked			
				Norm			
				04.7599			
design b		critical meas add		22.02.07		RSch	
design a		corr tolerance		10.08.06		RSch	
nr rev		alteration		date		name	
SN-Chassisbuchse Bulkhead jack 4169.SN.2014.10'							Rev b