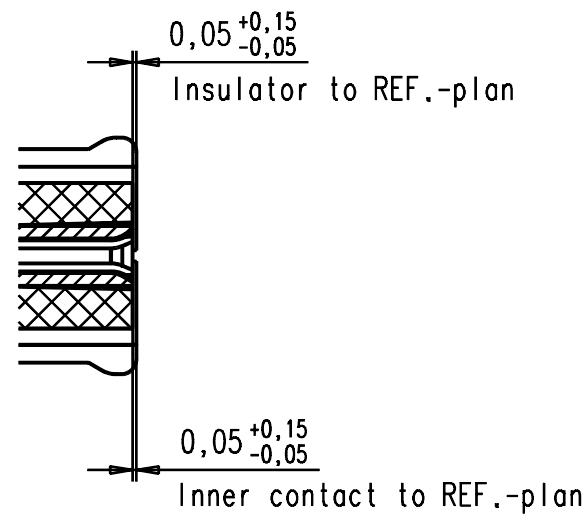
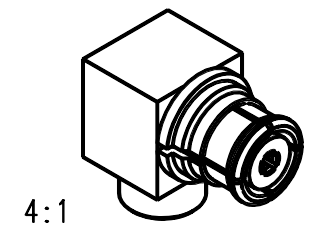
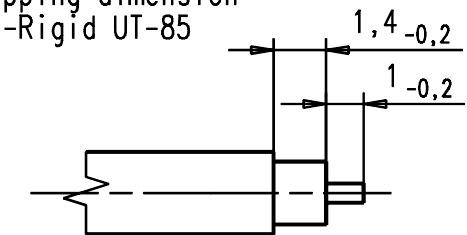


1:1



Kabelzuschnitt
Stripping dimension
Semi-Rigid UT-85



					general tolerance	ISO 2768	scale: 10:1	
					ISO 2768	-m-	Assembly instruction: M-21	
					mH	0,5-3: ±0,1 3-6: ±0,1 6-30: ±0,2	Stripping dimension:	
					date	name	SMP-Kabelwinkelbuchse SMP-Cable mount angle jack	
					generate	14.03.06		Mayer
					checked			
					Norm			
					46974			
							4144.SMP.2820.06'	
							Rev.	
nr.	rev.	alteration	date	name				