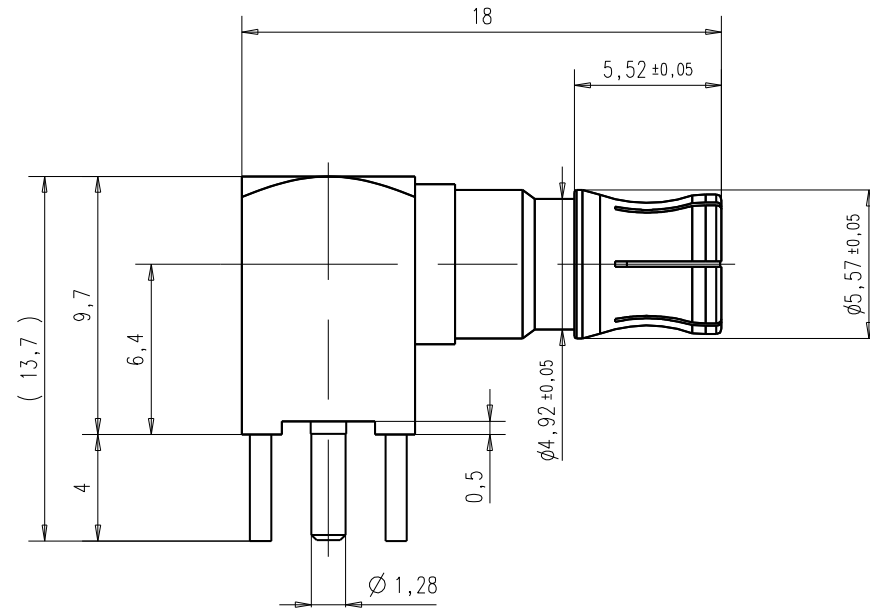
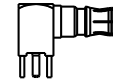
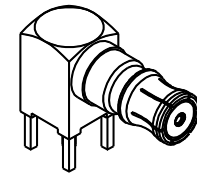


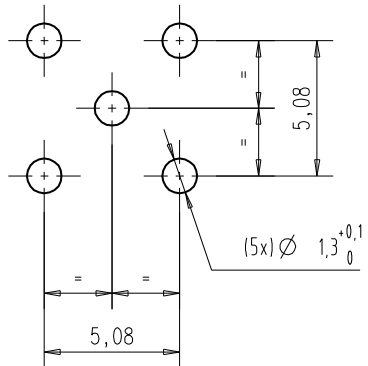
M/scale1:1



M/scale2:1



Mounting detail



Part	Material	Surface
Outer contact	Brass	Ni-P + Au
Centre contact	Beryllco 33-25	Ni-P + Au
Insulator	PTFE	

IMS CONNECTOR SYSTEMS				general tolerance		scale: 5:1	
				ISO 2768		Assembly instruction:	
				mH		Stripping dimension:	
				date	name	Anbauwinkelbuchse p.c.b. mount angle jack	
				15.02.05	Schwaer		
				generate			
				checked			
				Norm		3909.QLS.2520.00'	
				44869			
EC_044_13	c	Revised contact sack	08.05.13	IFa		Rev. c	
EC_083_06	b	Revised housing	02.05.06	RSc			
EC_201_05	a	Revised housing	28.07.05	RSc			
nr.	rev.	alteration	date	name			