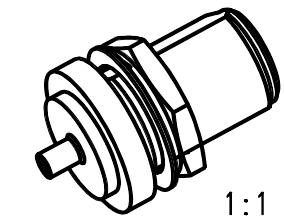
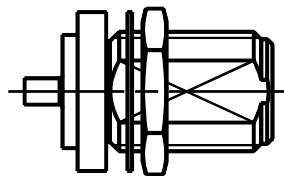


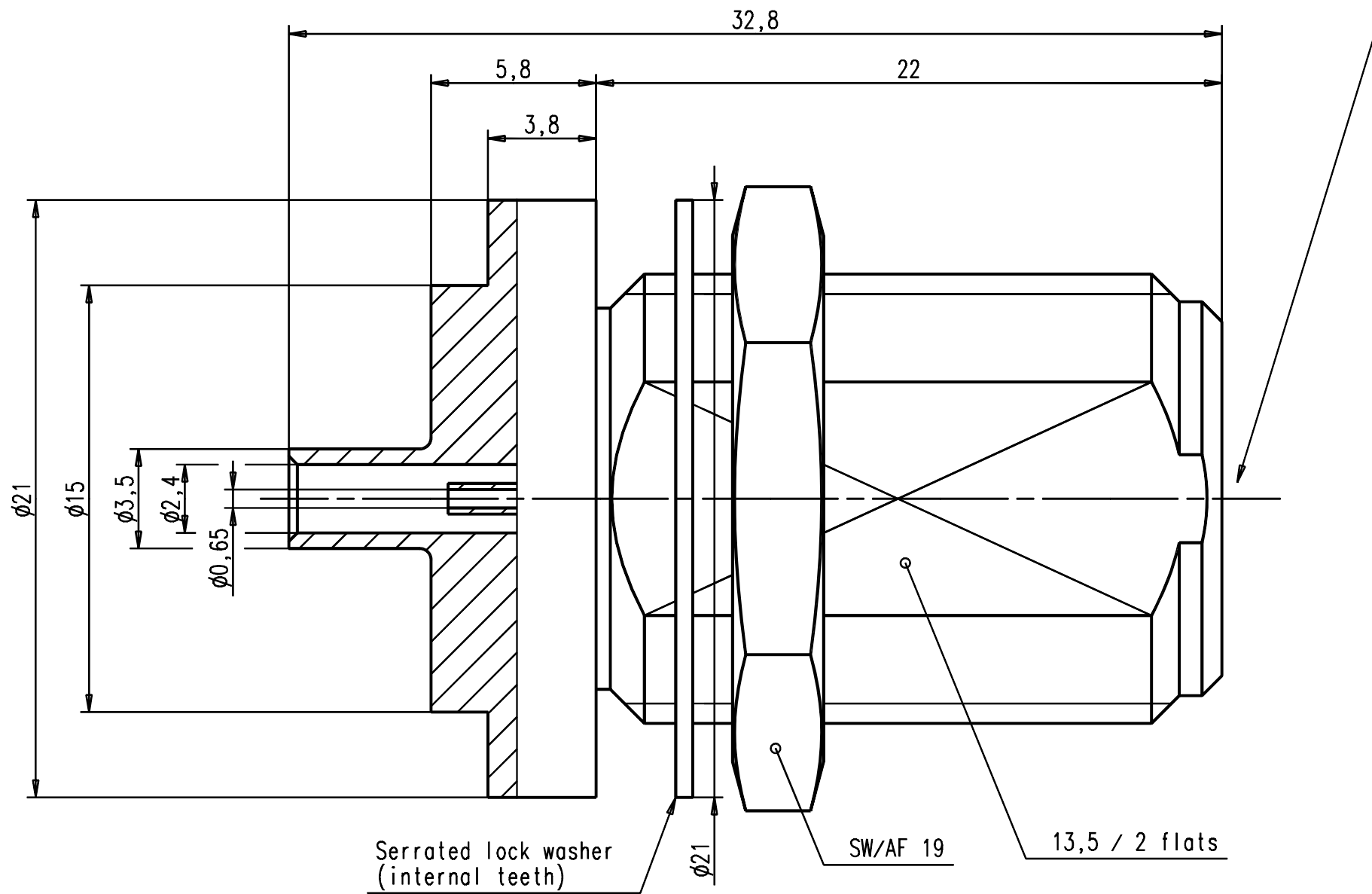
Steckbereich nach IEC 169-16 Grade1
Mating area acc.to IEC 169-16 Grade1



1:1



1:1



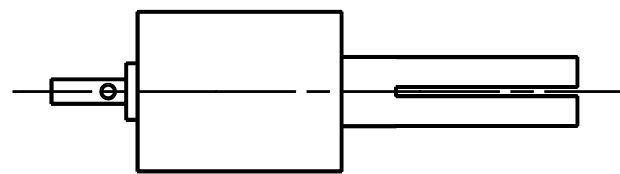
Serrated lock washer
(internal teeth)

ø21

SW/AF 19

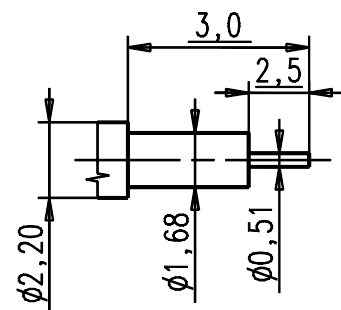
13,5 / 2 flats

added separately



3:1

Kabelzuschnitt
Stripping dimension
Semi-Rigid (RG405/UT85)



| Part | Material | Surface |
|----------------------|------------|----------------|
| Housing / nut | Brass | CuZnSn |
| Centre Contact | CuBe/brass | Au 1,3µm/0,2µm |
| Serrated lock washer | Bronze | CuZnSn |
| Insulator | PTFE | |

| | | | | | |
|--------|------|---------------------|-------------|---|--------|
| | | general tolerance | ISO 2768 | scale: 5:1 | |
| | | ISO 2768 | -m | | |
| | | mH | 0,5-3: ±0,1 | Assembly instruction: M-163 | |
| | | | 3-6: ±0,1 | | |
| | | | 6-30: ±0,2 | Stripping dimension: | |
| | | | | | |
| | | | | N-Chassiskabelbuchse N-Cable mount bulkhead jack | |
| | | | | | |
| | | | | 3713.62.2814.26' | |
| | | | | | |
| design | a | Facherscheibe hinzu | 12.01.04 | Mayer | Rev. a |
| nr. | rev. | alteration | date | name | |

