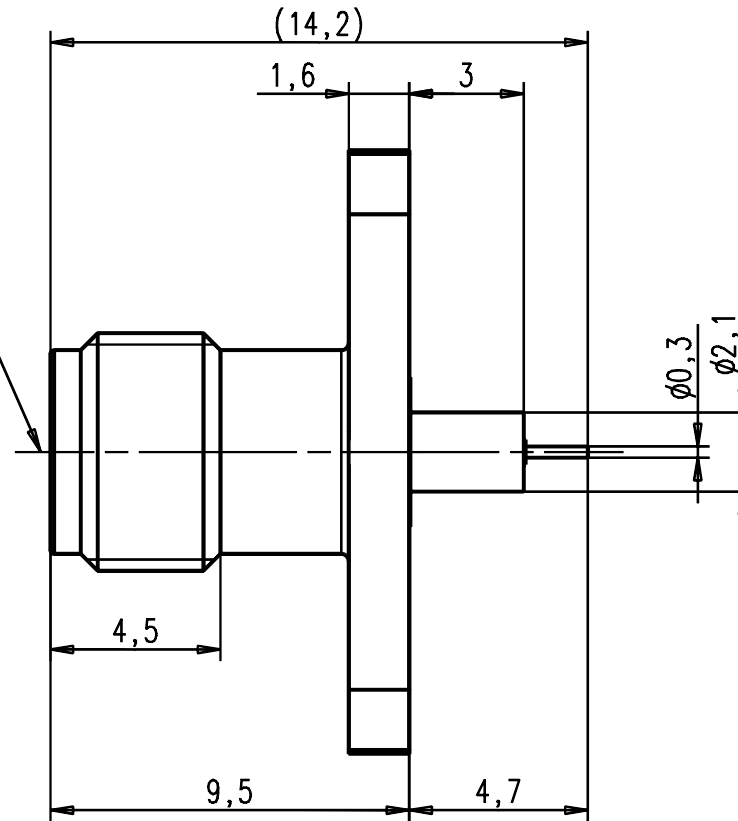


Steckbereich nach IEC 169-15 Grade1
Mating area acc.to IEC 169-15 Grade1



IMS CONNECTOR SYSTEMS					general tolerance ISO 2768 mH		scale: 5:1	
							Assembly instruction: Stripping dimension:	
					date	name	Chassisbuchse Bulkhead jack	
					generate 02.11.99	Sarfert		
					checked			
					Norm 12577			
							2661.42.2017.19'	
nr.	rev.	alteration	date	name				