

**MCA GENERAL DATASHEET**

**Applicable Standards**

Interface according to mini Coax Automotive

**Electrical characteristics**

Characteristic impedance		50	Ω
Operating frequency		DC - 9	GHz
Date rate		10	Gbps
Return loss (typical)	DC - 2 GHz	≥ 25	dB
	2 - 4 GHz	≥ 20	dB
	4 - 6 GHz	≥ 17	dB
insertion Loss	DC - 6 GHz	< 0,5	dB
Nearend Crosstalk	DC - 6 GHz	> 50	dB
Farend Crosstalk	DC - 6 GHz	> 50	dB
RF-Leakage	DC - 6 GHz	≥ 50	
Insulation resistance		0,1	GΩ
Center contact resistance	initial	max.25	mΩ
	straight-angled after exposure	max.40	mΩ
Outer contact resistance	initial	max.7,5	mΩ
	straight-angled after exposure	max.40	mΩ
Contact current max. (DC)		1	A DC
Operating voltage		max.60	V DC
Proof voltage		500	V eff.

**Mechanical characteristics**

Mating cycles		≥25	
Mating force		max. 75	N
Unmating force		max. 60	N
Coding efficiency		min. 130	N
Retention force locked system		min.120	N

**Materials**

Plastic-Housing	PPA
Outer contact	Bronze
Center contact	Bronze
Support Ferrule	Brass
Crimping Ferrule	Bronze
Insulator	SPS
Other metal parts	Stainless steel
Zink diecast housing	GD-Zn
Retainer	PA6

**Standard plating**

Outer contact	Sn
Centre contact	Ag
Other parts	Ni

**Environmental influences**

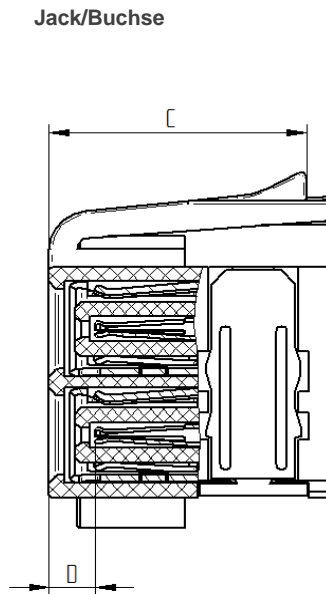
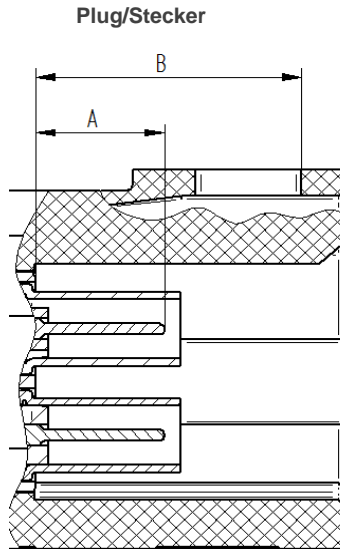
Mechanical Shock unsealed variant sealed variant	VW75174 Schärfeegrad 1
	VW75174 Schärfeegrad 2
Vibration unsealed variant sealed variant	VW75174 Schärfeegrad 1
	VW75174 Schärfeegrad 2
Thermal Shock	VW75174 -40°C up to +105°C/Tmax
Dry Heat	DIN EN 60068-2-30
Temperature Resistance	VW75174 -40°C up to +105°C/ Tmax

**Notes**

While the information has been carefully compiled to the best of our knowledge, nothing is intended as representation or warranty on our part and no statement herein shall be construed as recommendation to infringe existing patents. In the effort to improve our products, we reserve the right to make changes judged to be necessary.

**MCA GENERAL DATASHEET**

**Interface dimensions**



	Plug / Stecker		Jack / Buchse	
	(mm)		(mm)	
	min.	max.	min.	max.
A	4,35	4,85		
B	9,45	9,55		
C			9,1	9,3
D			1,5	1,8

**Coding Types**

Coding Type	Jack	Color	Similar to RAL
A		jet black	9005
B		pure white	9010
C		light blue	5012
D		claret violet	4004
E		may green	6017
F		nut brown	8011
Z		waterblue	5021

Coding Type	Plug	Color	Similar to RAL
A		jet black	9005
B		pure white	9010
C		light blue	5012
D		claret violet	4004
E		may green	6017
F		nut brown	8011
Z		waterblue	5021

IMS Connector Systems connectors fulfill in principle the indicated technical data. Individual values of the connectors may deviate depending based on applications, design, type of cables, assembly method and execution. Specific product data sheets for particular products can be provided on request from your IMS Connector Systems sales contact.