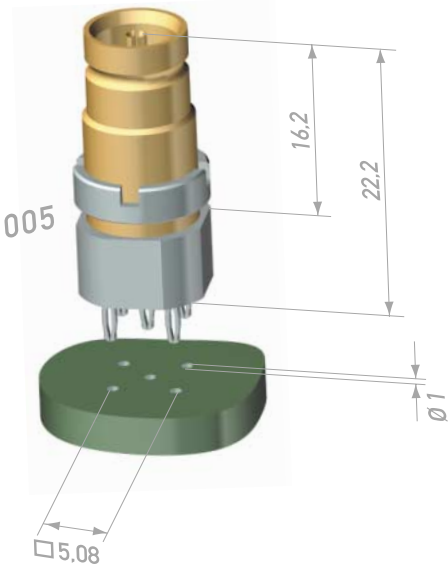


The winning move

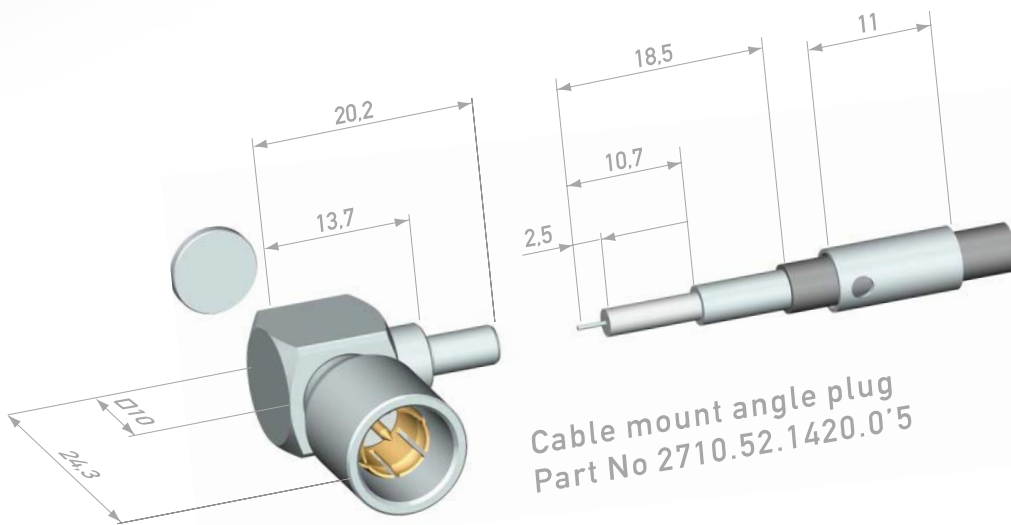
1.6 / 5.6

Clever design

PCB mount jack
Part No 1798.52.2510.005
Pressfit version



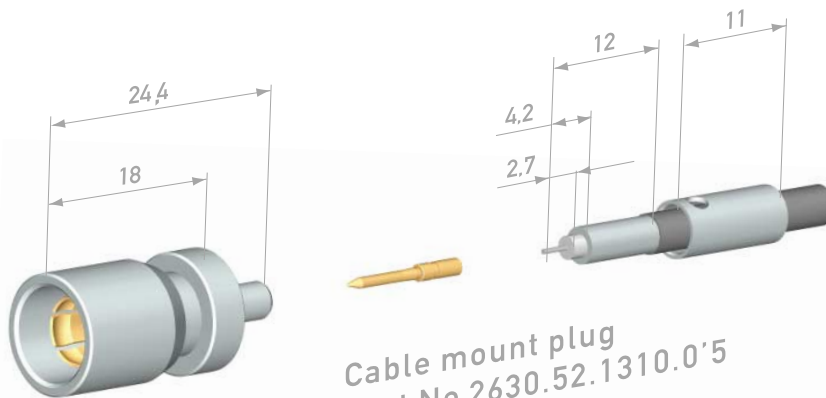
Cable mount angle plug
Part No 2710.52.1420.0'5



High precision insulator

- better impedance matching

Cable mount plug
Part No 2630.52.1310.0'5



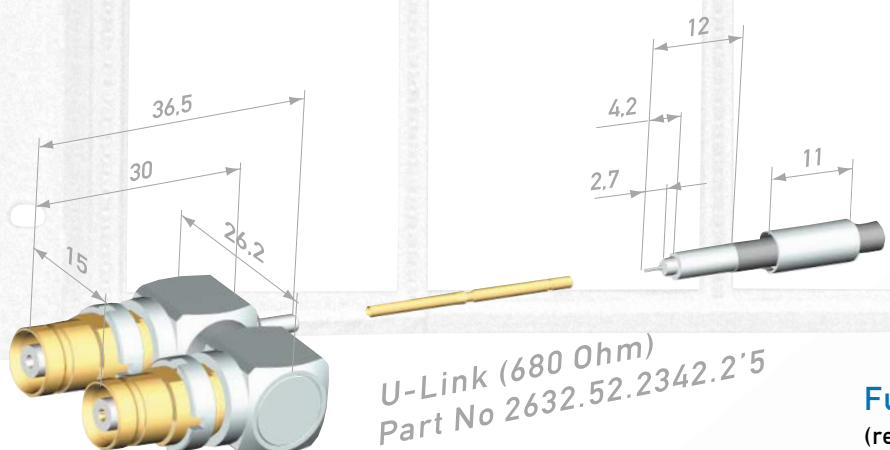
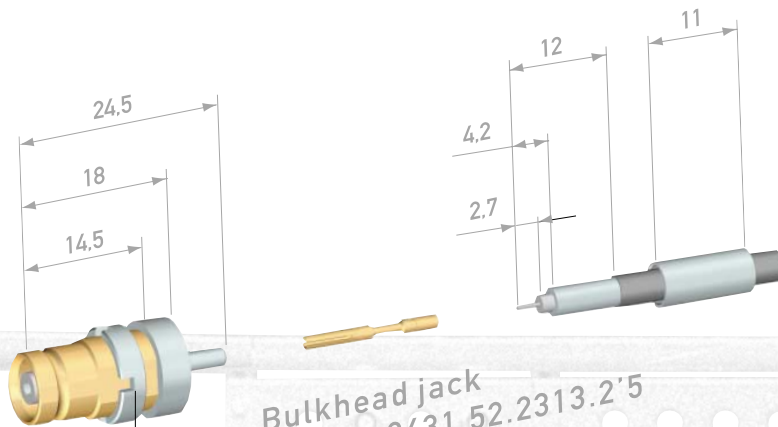
OPTALLOY® plating

instead of nickel

- better conductivity
- better mating
- non magnetic
- non allergic

Details, making the difference

Four slot nut for less wear



Full crimp version

(recommended by IMS Connector Systems)

- fast and efficient assembling process
- no power connection on site required

Other cable terminations also possible

- solder/solder
- solder/crimp

Crimp tool
Part No AGK 3052



Perfect detail

Series 1.6/5.6

This range of precision 75 ohm connectors meet both the high mechanical and electrical specifications required by the latest telecommunication switching equipments.

Designed to work at both analogue frequencies and high digital bit rates the connectors are designed for termination onto the standard ranges of 75 ohm flexible cables. Other styles are available for both panel and distribution frame mounting together with Press Fit versions for PCB mounting.

Coupling Styles

The IMS range of jack connectors are fully intermateable with the 4 standard plug interfaces, screw on, snap, clip and quick lock versions. IMS have concentrated their developments on the screw on interface of the plug connector as this type has the highest retention force. Other styles are available on request.

Design in accordance with
CECC 22 240
DIN 47 295
IEC 169-13

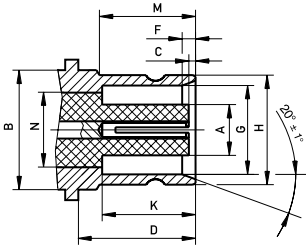


Convincing figures

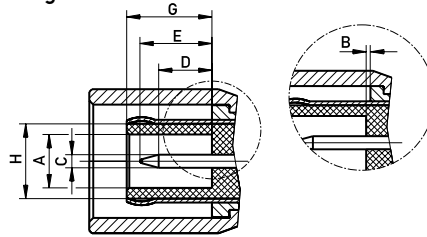
	mm		inch		Note
	min.	max.	min.	max.	
A		3,8		0,150	3/diam.
B	M 9 x 0,5		M 9 x 0,5		2/5
C	0,25		0,0098		
D	9,7		0,382		
F	0,9	1,1	0,0354	0,0433	
G	6,6	6,69	0,2598	0,2634	3/diam.
H	8,1	8,25	0,3189	0,3248	3/diam.
K	6,7		0,264		
M	7,0	7,5	0,276	0,295	
N	5,6		0,220		

	mm		inch		Note
	min.	max.	min.	max.	
A	4,00		0,157		2/diam.
B		0,15		0,0059	
C	0,97	1,03	0,0382	0,0406	2/diam.
D	3,9	4,3	0,1535	0,1693	
E		5,5		0,217	
G	6,4	6,6	0,2520	0,2598	
H	5,6		0,220		

Jack



Plug



Cable table

Second last digit in Part No indicates cable group A-F

	Type	Crimp size		Crimp length	
		hex outer contact in mm	square inner contact in mm	inner contact in mm	outer contact in mm
A	Filotex 0.25	2.95	1.2	2.00	9.50
B	TZC 750 24	4.52	1.2	2.00	9.50
C	ST 212	3.65	1.2	2.00	9.50
D	Filotex 0.4	4.60	1.2	2.00	9.50
E	TR-SP.127	5.41	*	2.00	9.50
F	ST 214	6.50	1.2	2.00	9.50

* The centre conductor must be crimped by 8 indent crimping, using a tool with IMS Connector System Part No AGK 3052 Pos. 01 (M22520/2-01) and a positioner with IMS Connector Systems Part No AGK 3052 Pos. 02 (M22520/2-06)

Crimptool + inserts

Crimp tool	
Part No	
AGK 2365	acc. MIL Std 22520/5

Crimp inserts	
Part No	(mm)
AGK 3068	1.2 / 2.95 / 4.6
AGK 3069	1.2 / 3.65 / 6.5
AGK 2728	4.52
AGK 2729	5.41

Electrical Characteristics:

Impedance (MIL-C-39012B)	75 Ohm
Operating frequency	up to 8 GHz
Return-loss:	
2 GHz	26 dB (depending on Cablegroup)
Higher frequency ranges	on request
Insulation resistance	≥ 10 GOhm
Contact resistance:	
Centre contact	≤ 4 mOhm
Outer contact	≤ 2 mOhm
Operating voltage	330 V / 50 Hz
Proof voltage	1000 V / 50 Hz

Mechanical Characteristics:

Mating cycles	500
---------------	-----

Environmental:

Working temperature range	-40° C up to +125° C
Moisture resistance	MIL-STD-202. 10 cycles
Relative humidity	MIL-STD-202
Shock	MIL-STD-202
Vibration	MIL-STD-202
Corrosion	MIL-STD-202

Materials & Plating

Housing	Brass
Insulator	PTFE / Peek
Centre contact	Brass
Spring loaded contact	Bronze
Spring basket	CuBe

Plating

Housing	Optalloy
Insulator	-
Centre contact	Au
Spring loaded contact	Au
Spring basket	Au

Consequential moves

A technology company

By investigating dedicated technologies we are able to offer 'state of the art' products. To provide a fast and efficient service, we use the most recent developments in communication and CAD technology.



Committed to quality

IMS Connector Systems is renowned for the high quality of its products. We implement the most effective quality assurance systems from the earliest development stages, throughout manufacture and up to the point of despatch.



Structured for action

With dedicated teams working closely with you we reach decisions expertly and instantly, providing you with customized solutions. For us, customer satisfaction is not just one of today's buzzwords but part of our company philosophy.



We offer the security you need

Dedicated

In 1863 the inventor Johann Morat founded a company at Eisenbach in the Black Forest which focused on the development of machines to produce mechanical components for clocks. Over the years, the company grew through its inventive skills and a commitment to the highest precision and efficiency. In 1972 a Business Division dedicated to RF connectors and cable assemblies was established and in 1989 IMS Connector Systems was founded as an independent company. The new company made the decision to focus on existing coaxial connectors and additionally components for mobile communications.



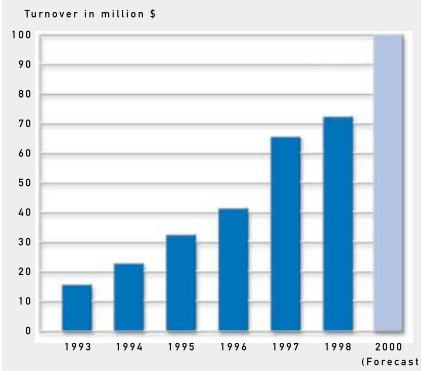
Focused

Sophisticated logistics, modern planning and monitoring systems allow us to keep track of your order at all stages. Our online internet catalogue offers you comprehensive information at the click of a mouse.



Flexible

Our specialist machinery and computer controlled production processes ensure the highest flexibility and efficiency. Expansive premises in three modern manufacturing plants enable us to increase production at short notice.



Cable Assemblies

with varying jacket dimensions produced manually or by production machines



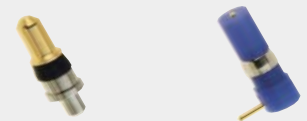
RF Coaxial Connector Range

from micro miniature SMA to 7/16



Sub-D and DIN-Connectors

RF / High Power / High Voltage Inserts



Mobile Components

Antenna, Antenna Contact, Side Key, Battery Contact, Loudspeaker and Microphone Contact, System Connector, Shielding Box, RF-Switch



Löffingen
Germany



Dallas
USA



Sopron
Hungary

Your global connection



Head Office

Germany
IMS Connector Systems GmbH
Obere Hauptstraße 30
D-79843 Löffingen
PO Box 1141
D-79840 Löffingen
Tel (+49) 76 54 90 10
Fax (+49) 76 54 90 11 99
Net www.imscs.com
E-mail sales@imscs.com

Production plants



China
IMS Connector Systems Ltd
SDN Science & Technology Park
Suzhou 215011



Hungary
IMS Connector Systems Kft
H-9400 Sopron

Sales offices

China
IMS Connector Systems Ltd
No 35, Huo Ju Road
SND Science & Technology Park
Suzhou 215011
Tel (+86) 512 6808 1816
Fax (+86) 512 6825 2388
E-mail sales@imscscn.com

Denmark
IMS Connector Systems ApS
Fredtoftevej 15A
DK-2980 Kokkedal
Tel (+45) 45 1609 10
Fax (+45) 45 1609 16
E-mail IMS.DK@dk.imscs.com

France
IMS Connector Systems
46, rue Bellier
F-44000 Nantes
Tel (+33) 2 51 84 24 24
Fax (+33) 2 51 84 24 25
E-mail contact@fr.imscs.com

United Kingdom
IMS Connector Systems (UK) Ltd
G1 Cumberland Business Centre
Northumberland Road
Portsmouth
Hants PO5 1DS
Tel (+44) 23 92 75 00 11
Fax (+44) 23 92 75 00 22
E-mail IMSCSUK@uk.imscs.com

USA
IMS Connector Systems
401 E. Corporate Drive, Suite #100
Lewisville TX 75067, USA
Tel (+1) 469 948 4885
Fax (+1) 469 948 4881
E-mail sales@imscsusa.com

IMS CONNECTOR
SYSTEMS

www.imscs.com