

**Long wipe SMP (SMPL) GENERAL DATASHEET** page 1 / 2

**Applicable Standards**

Interface according to	Long wipe SMP Interface
------------------------	-------------------------

**Electrical characteristics**

Characteristic impedance	50	Ω
Frequency range	DC - 6	GHz
Return loss (straight contacts)		
	≤ 1 GHz	≥ 35 dB typ.
	≤ 2 GHz	≥ 32 dB typ.
	≤ 4 GHz	≥ 25 dB typ.
	≤ 6 GHz	≥ 20 dB typ.
Insertion loss @ 1 GHz	≤ 0,1	dB max.
Insulation resistance	5	GΩ
Center contact resistance	≤ 6	mΩ
Outer contact resistance	≤ 2	mΩ
Test voltage	500	V rms
Working voltage	≤ 300	V max.
Power handling	100	W @ 2,2 GHz
Working current	≤ 1.2	A DC

**Mechanical characteristics**

Engagement force	smooth bore	9	N max.
	limited detent	45	N max.
	full detent	68	N max.
Disengagement force	smooth bore	2,2	N min.
	limited detent	9	N min.
	full detent	22	N min.
Center contact retention force		7	N min.
Mating cycles	smooth bore	> 1000	
	limited detent	> 500	
	full detent	> 100	
Radial misalignment		≤ 4°	
Axial misalignment		± 0,7	mm

**Materials**

Housing	Brass
Centre contact	CuBe / Brass
Spring loaded contacts	CuBe
Insulator	PTFE / PEEK
Ferrule	Copper / Brass

**Standard plating**

Contact area	Au / NiP + Au
Centre contact	Au / NiP + Au
Other parts	Au / NiP + Au / White Bronze

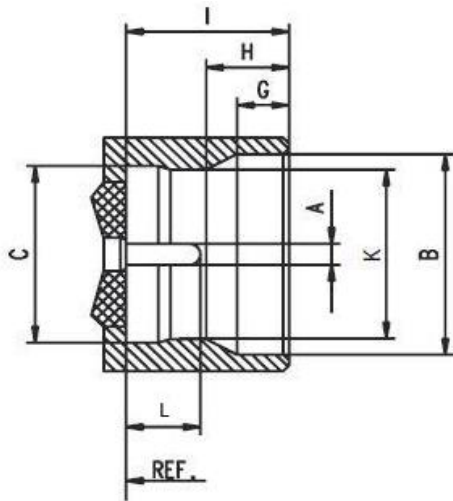
**Environmental influences**

Temperature range	-55°C up to +125°C
Vibration	IEC 60068-2-61
Dry Heat	IEC 60068-2-2
Humidity	IEC 60068-2-78
Shock	IEC 60068-2-27
Thermal Shock	IEC 60068-2-14

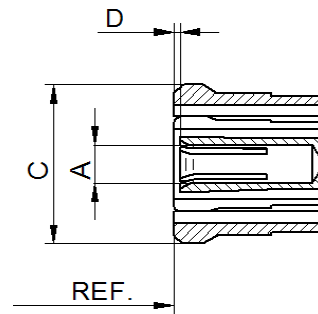
**Long wipe SMP (SMPL) GENERAL DATASHEET**

**Interface dimensions**

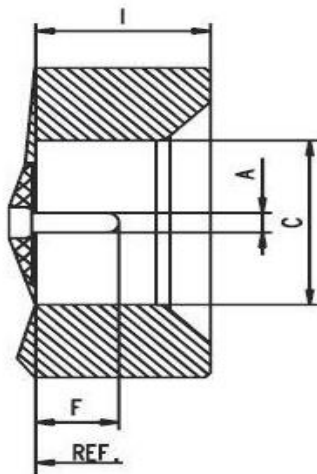
Plug/Stecker-Limited detent



Jack/Buchse



Plug/Stecker-Smooth bore (Catchers mit)



	Plug / Stecker		Jack / Buchse	
	(mm)		(mm)	
	min.	max.	min.	max.
A	0,67	0,71		1)
B	3,53	3,69		
C	3,13	3,23		3,43
D			0	0,2
E				
F	2,1	2,3		
G	0,84	0,94		
H	1,39	1,45		
I	2,74	2,84		
K	3	3,1		
L	1,14	1,4		

1) resilient. Dim. To meet electrical and mechanical requirements

Gefedertes Maß um elektrische und mechanische Eigenschaften zu gewährleisten.

IMS Connector Systems connectors fulfills in principle the indicated technical data. Individual values of the connectors may deviate depending based on applications, design, type of cables, assembly method and execution. Specific product data sheets for particular products can be provided on request from your IMS Connector Systems sales contact.