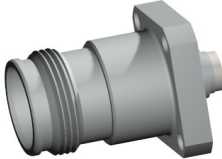


Product Data Sheet / Produkt Datenblatt

Part Number	5207.VDZ.2818.084	Teilenummer
Description	4.3-10 - Flanschbuchse 4.3-10 - Flange mount cable jack	Beschreibung
		
Design according to	IEC-61169-54	Ausführung nach

Electrical characteristics / Elektrische Eigenschaften

		colored value means: under validation		
		Value/Wert	Unit/Einheit	
Impedance (MIL-C-39012B)		50	[Ω]	Impedanz (MIL-C-39012B)
Operating frequency up to		...6	[GHz]	Betriebsfrequenz bis zu
Return loss	measured with cable typ: Flexiform 401SL HFJ			gemessen mit Kabel Typ: Rückflusdämpfung
	1 GHz	40	[dB]	
	2 GHz	38	[dB]	
	4 GHz	36	[dB]	
	6 GHz	32	[dB]	
3rd. Order PIM product 2x43dBm	at 910MHz/at 1870MHz	<166	[dBc]	PIM Produkt 3. Ordnung
Insulation resistance		5	[GΩ]	Isolationswiderstand
Contact resistance				Kontakt-Widerstand
Centre contact		1,5	[mΩ]	Innenkontakt
Outer contact		0,2	[mΩ]	Außenkontakt
Contact current max. (DC)			[A] DC	Kontakt-Strombelastbarkeit max (DC)
Operating voltage		500	[V] DC	Betriebsspannung
Proof voltage		1000	[V] eff	Prüfspannung

Mechanical characteristics / Mechanische Eigenschaften

		Value/ Wert	Unit/Einheit	
Mating cycles		> 100		Steckzyklen
Centre contact retention force		30	[N]	Haltekraft Innenleiter
Centre contact detent torque		3	[Ncm]	Haltemoment Innenleiter
Recommended coupling torque		5	[Nm]	Empfohlenes Anzugsmoment

Product Data Sheet / Produkt Datenblatt

Part Number	5207.VDZ.2818.084	Teilenummer
Description	4.3-10 - Flanschbuchse 4.3-10 - Flange mount cable jack	Beschreibung

Material & plating / Material & Oberfläche

RoHS (2002/95/EC) conform			
	Material/Material	Plating/Oberflächen	
Outer contact	Copper beryllium	min. 3µm Cu + 3-6µm Ag	Außenkontakt
Centre contact	Copper beryllium	min. 2µm Cu + 5-8µm Ag	Innenkontakt
Housing	Brass	min. 3µm Cu + 3-6µm Ag	Gehäuse
	-	-	
Insulator	PTFE	-	Isolator
	-	-	

Environmental influences / Umwelteinflüsse

Operating temperature range	-55 °C up to +90 °C	Betriebstemperaturbereich
	Standard	
Thermal shock	IEC 60169-1, Sub-clause 16.4	Thermischer Schock
Corrosion resistance	ISO 21207 method B	Korrosionsbeständig
Vibration	IEC 61169-1 9.3.3 and IEC 60068-2-64	Vibration
Shock	IEC 61169-1 9.3.14	Schock
Degree of protection (mated pair)	IEC 60529, IP68 1h / 25m	Schutzart (gesteckte Paarung)

Notes / Aufzeichnungen

While the information has been carefully compiled to the best of our knowledge, nothing is intended as representation or warranty on our part and no statement herein shall be construed as recommendation to infringe existing patents. In the effort to improve our products, we reserve the right to make changes judged to be necessary.

Update History

Rev.	Date	Signature	Alteration
			Formblatt-Nr.: Form-TK-013b
			Rev. 04
			Released 17. Apr 14