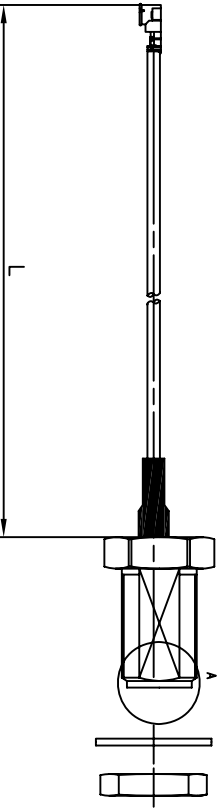
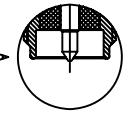


Pos.	pcs	Description	Type-No./Contents	Remark
①	1	I-PEX MHF Plug	20278-111R-32	
②	1	RP SMA straight bulkhead Jack	6684,42,1410,041	
③	1	1.32-MIT single shield coaxial cable		Color: Gray
④				
⑤	1	Heat shrink		
⑥				
⑦				
⑧				

No. of cable	Pos.

Stripping dimension	Stripping dimension	Remarks
POS. ①	POS. ②	Pos. 1 Outer: Inner: Pos. 2 Outer: Inner:
		Frequency range:
		VSWR:
		Insertion loss:
		Operation Temperature Range:
		Impedance:
		Proof Voltage:



Note: the orientation on drawing is for reference only.

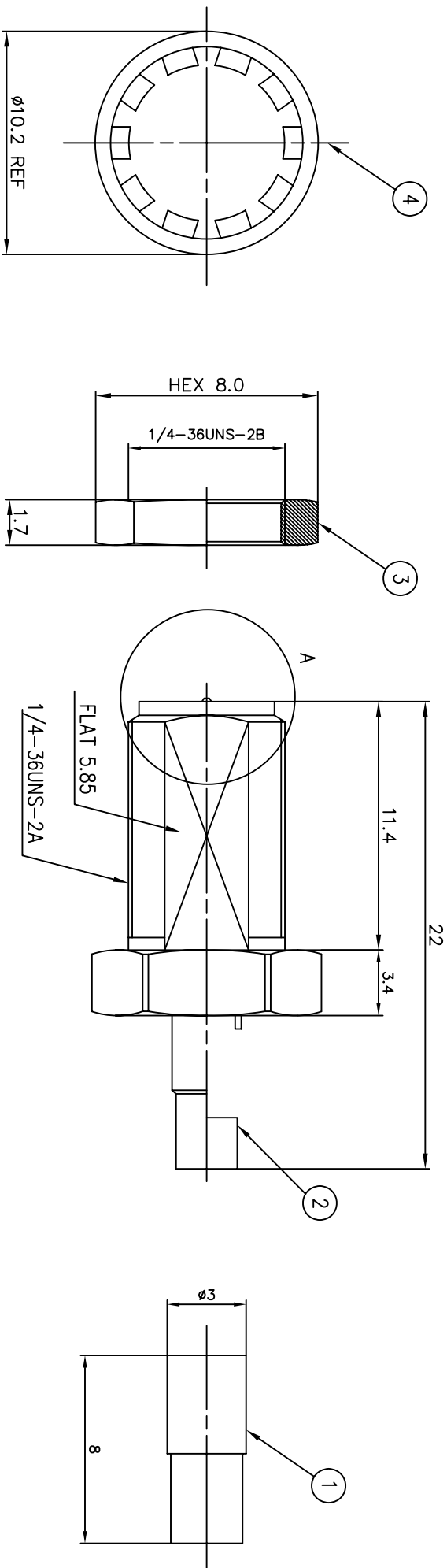
Pos.	pcs	Cable -No	customer part-no.	Cable-tyr	cable color	Total length (L)
③	1	K-6424		OD=Ø1.32	Gray	L=200±5mm
	1					
	1					

preliminary

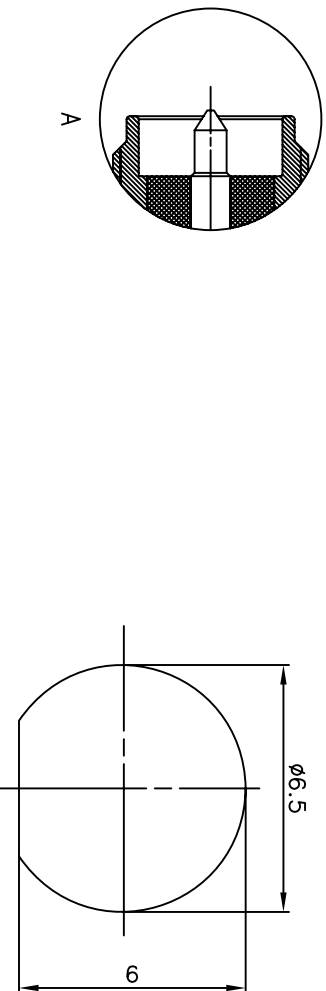
		General Tolerance AA-CS-12	scale:
date	name	Customer: Customer drawing no:	
generated 30.03.09	Dony, MI		
checked			
norm			

RF Cable Assembly
K-6424
Rev. A

nr.	rev.	alteration	date	name	scale:



RECOMMENDED MOUNTING HOLE



preliminary

NO	Part	Material	Surface
1	ferrule	brass	gold
	insulator	TEFLON	none
2	body	brass	gold
	pin	brass	gold
3	nut	brass	gold
4	washer	brass	gold

scale: 5:1

Assembly instruction:
Stripping dimension:

RP SMA Straight Bulkhead Jack Crimp

	fixed at galv	YES	NO	X
	packing	No. : Quantity:		
working piece edges: DIN-6784				
() design dimension	critical dimension to be checked			
	at acceptance: DIN-406			
		nr.	rev.	alteration
		date	name	
General Tolerance		IS02768 mH	date	name
checked		Norm	30.03.09	Dony Ni
6684.42.1410.04'		Rev.		A