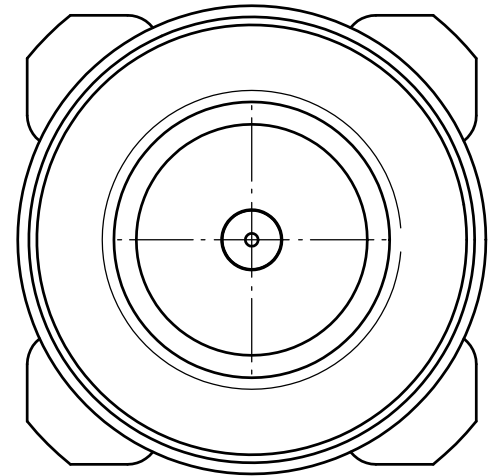
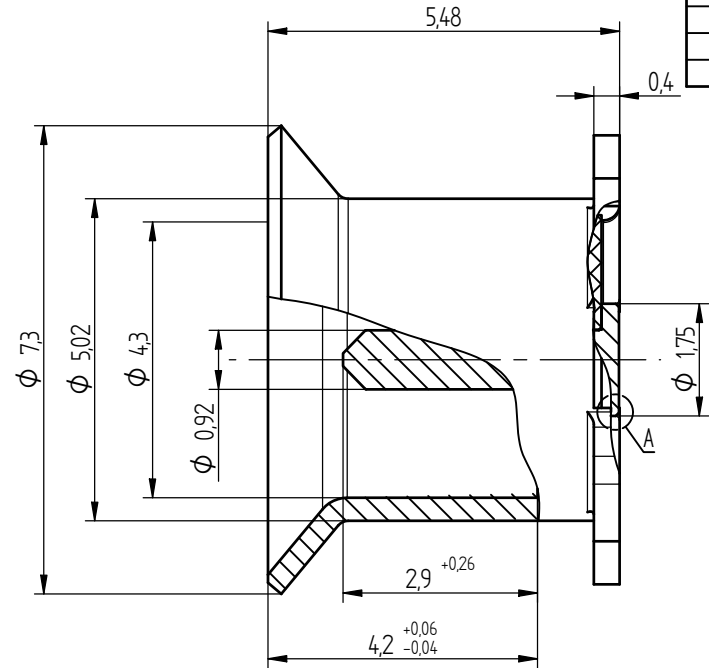
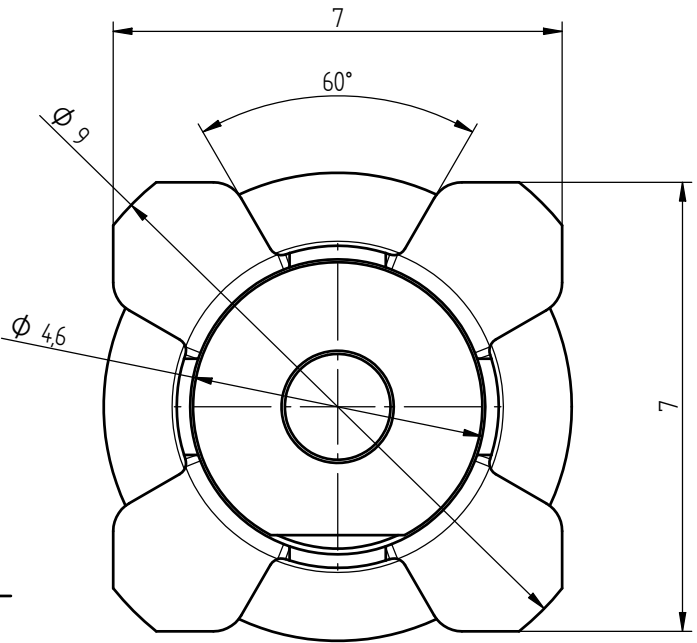
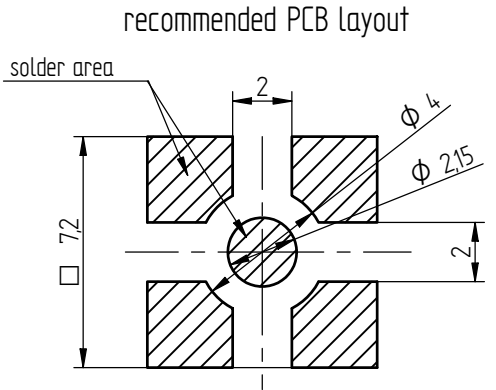
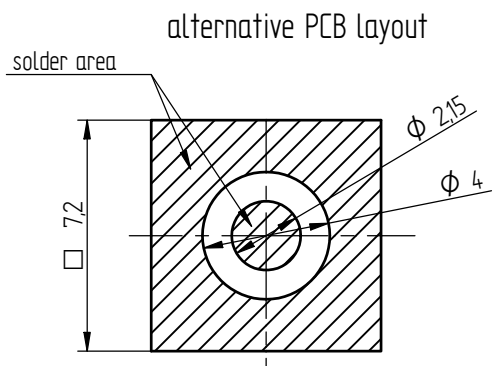
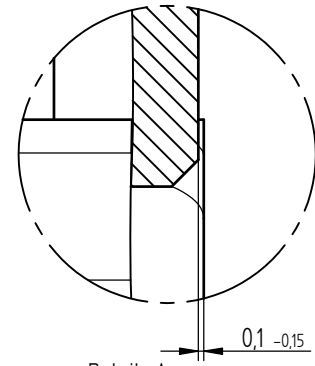


| Revision history | | | | |
|------------------|------|---------------------------------|----------|------|
| Change ID | Rev. | Alteration | Date | Name |
| Design | A02 | modify center pin and insulator | 27/06/22 | dni |
| PEC_200000590_02 | A03 | mod. tape reel | 05/08/22 | dni |
| PEC_200000590_03 | A04 | add alternative pcb layout | 24/11/22 | dni |
| | | | | |
| | | | | |
| | | | | |
| | | | | |



| | | |
|---------------|----------|-------|
| Tape and reel | AGK-6079 | (A03) |
| Parts/reel | 700pcs | |
| Parts/m | 83,3 | |
| Forward run | 0,3m | |
| After run | 0,4m | |
| Reel length | 9,4m | |
| Reel diameter | 330mm | |



Interface: Smooth bore

Detail A
Scale 100:1

| | | | | |
|---------------------------|--|--|--------------------------------------|-------------------------------------|
| Projection - ISO 5456 | Unit system - Metric All dim. in [mm] | General tolerance ISO 2768 mH | Assembly instruction | Document type Acceptance drawing |
| Created by dni | Approved by Dony Ni | Title PSMP pcb mount plug | Drawing number 7817.PSMP.1010.00Z | Surface code |
| | | Supplementary title PSMP pcb mount plug | Rev. A 04 | Date of issue 24/01/2022 |
| | | Lang. EN | Sheet 1/1 | Scale 5:1 |