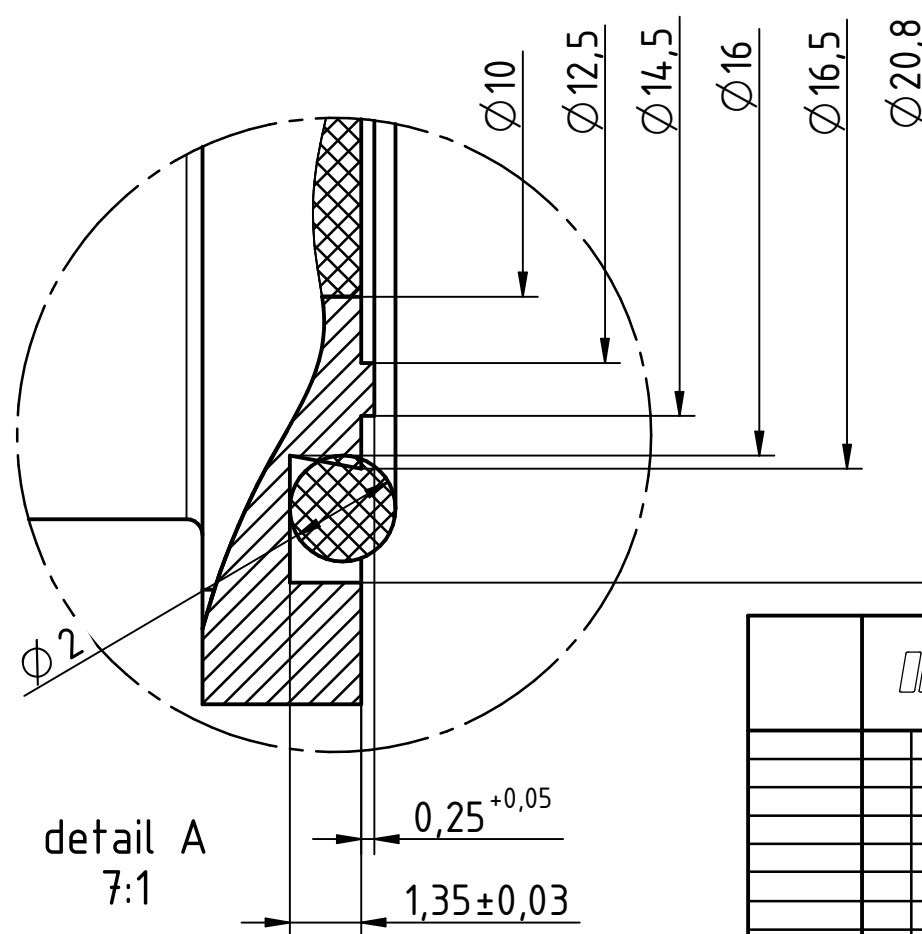
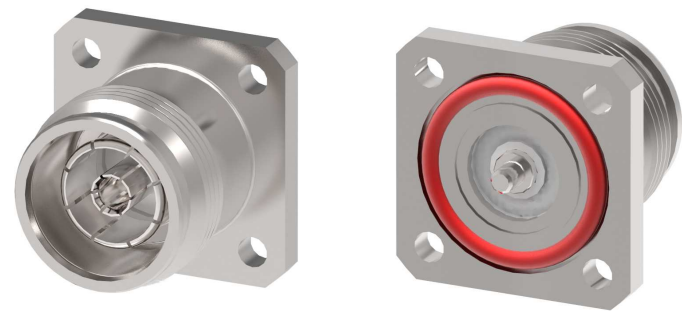
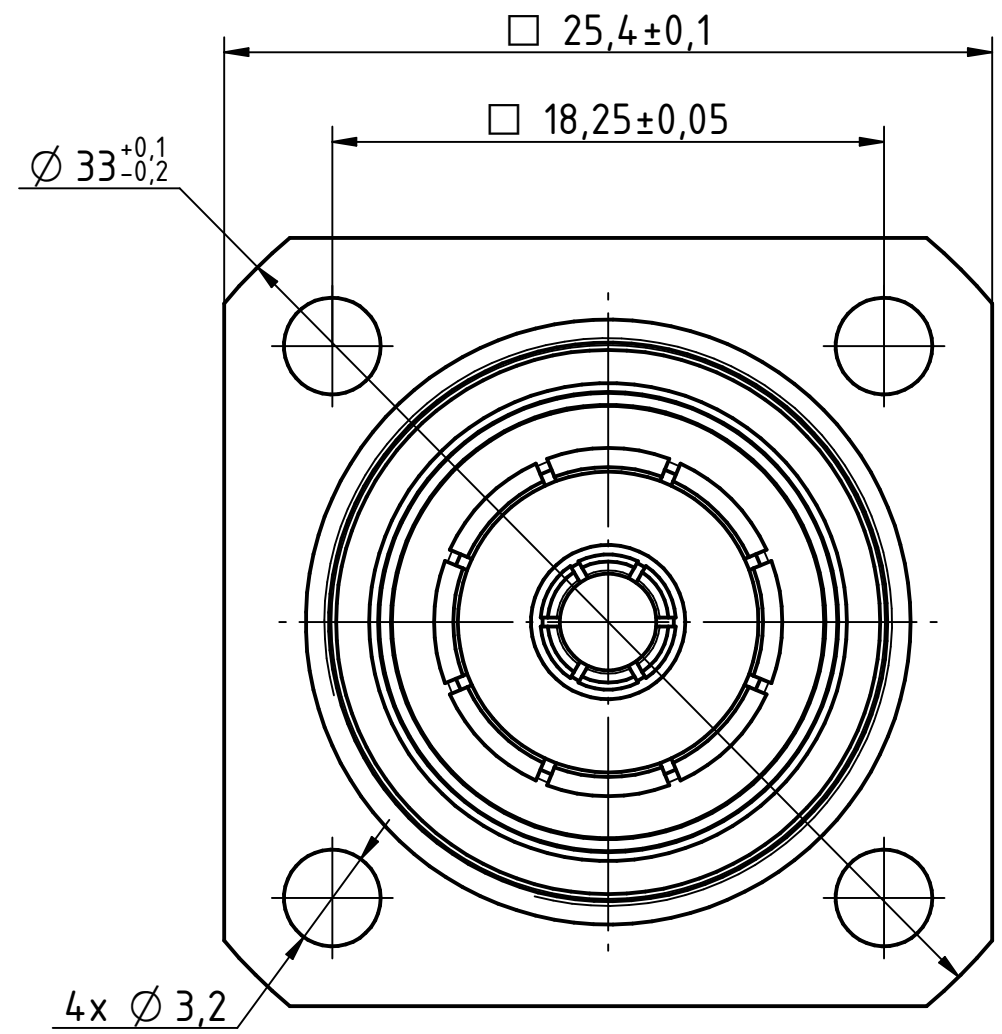
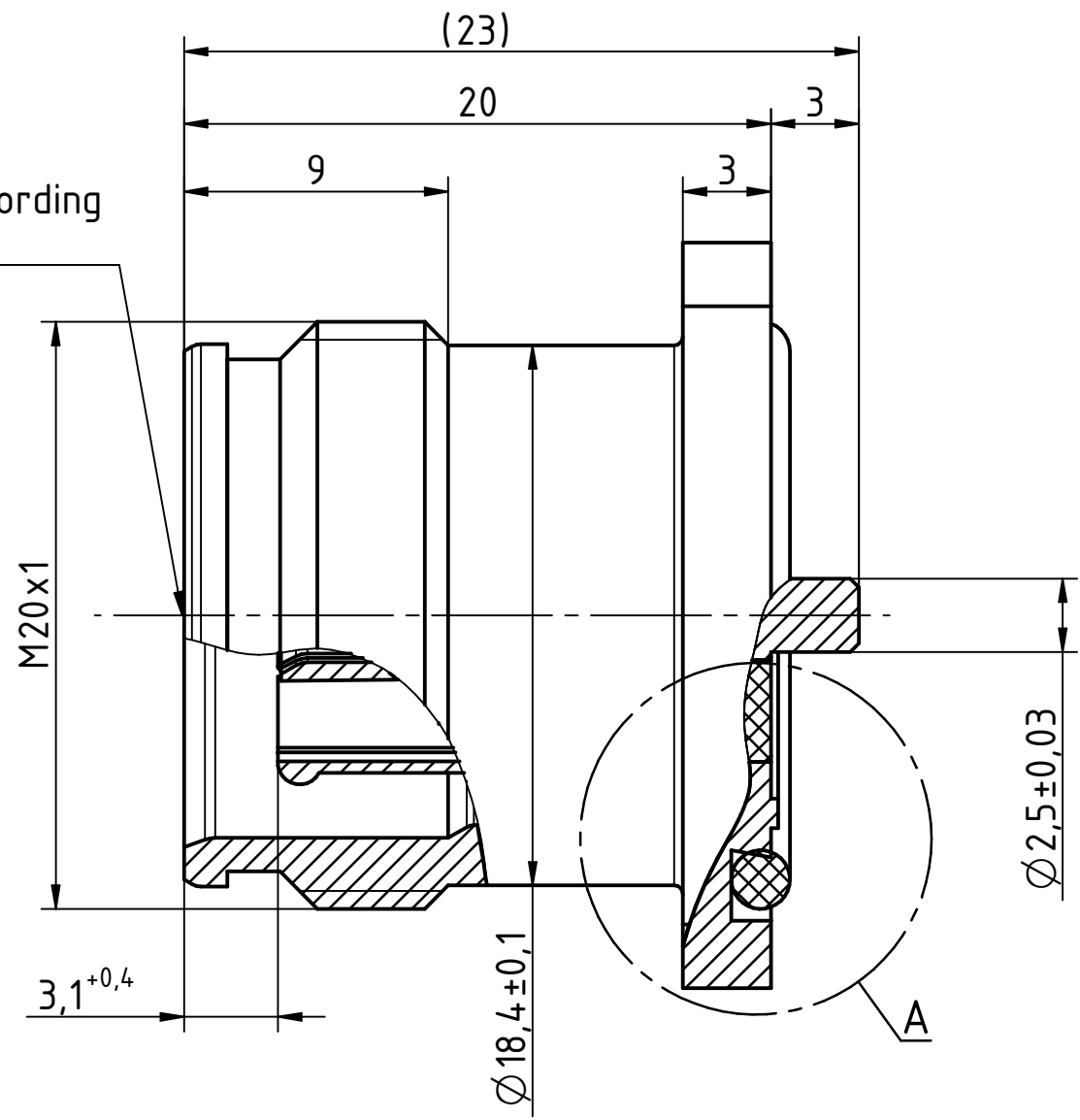


mating area according to IEC 61169-54



IMS CONNECTOR SYSTEMS		General Tolerance	ISO 2768	ISO 2768	scale: 4:1	unit: mm
		ISO 2768	-m-	-m-		
		mH	0,5-3 ±0,1	0,5-3 ±0,1	4.3/10 Flange mount jack	
		angle: ±5°	3,0-6 ±0,1	3,0-6 ±0,1		
			6-30 ±0,2	6-30 ±0,2		
		generate	09/11/17	Dony Ni	7568.VDZ.2018.20Z	
		checked				
		norm				
					Rev. A	
nr.	rev.	alteration	date	name	surface code	