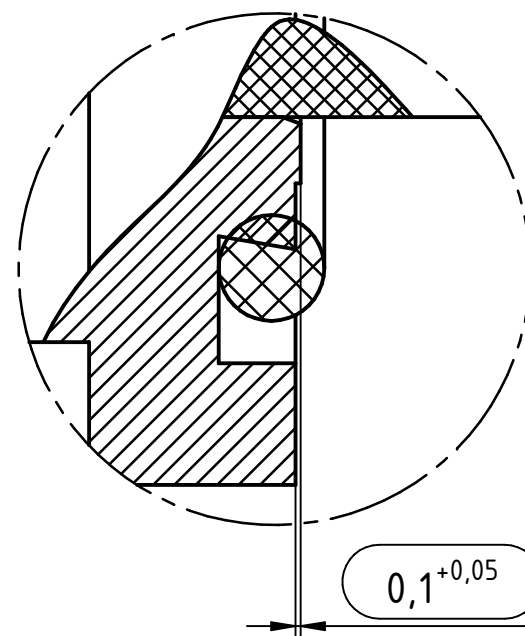
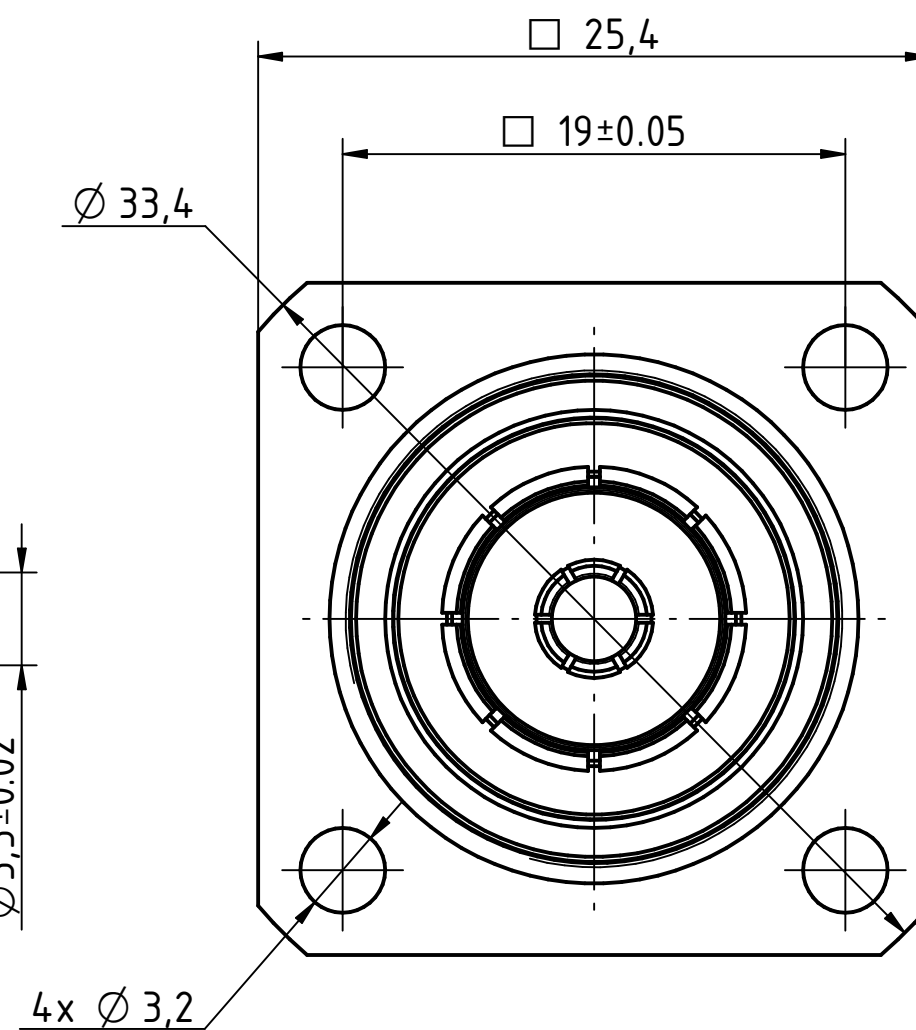
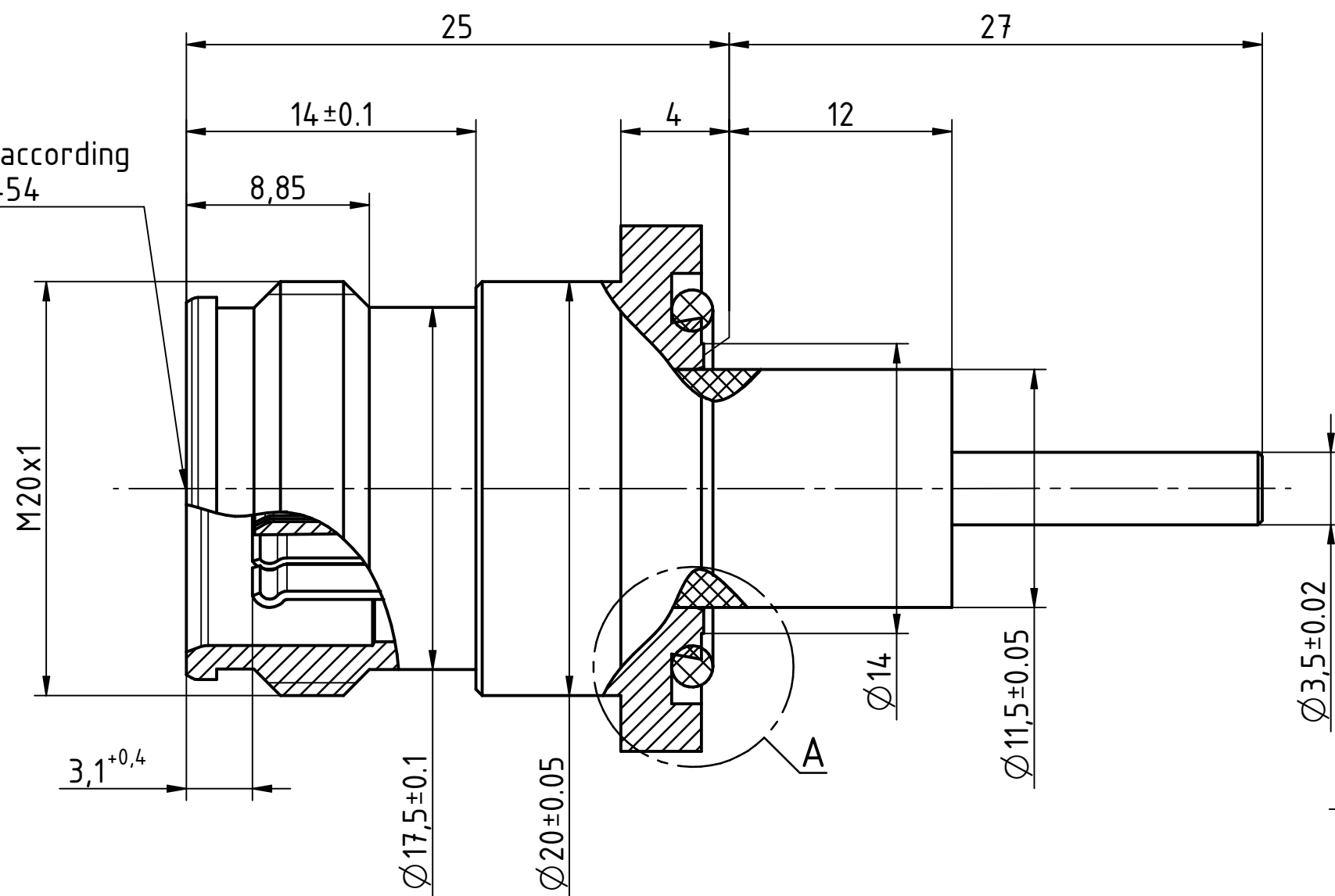
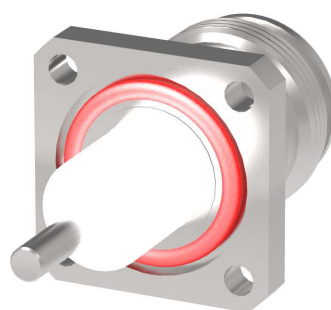
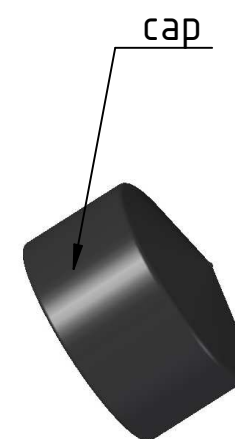


mating area according to IEC 61169-54



detail A
7:1



IMS CONNECTOR SYSTEMS		General Tolerance	ISO 2768	ISO 2768	scale: 3:1	unit: mm
		ISO2768	-m-	-m-		
		mH	0.5-3 ±0.1	3.0-6 ±0.1		
		angle: ±5°	6-30 ±0.2			
		generate	date	name		
		checked	11/16/15	Dony Ni		
		norm		Shin		
				4.3/10 Flange mount jack		
				7442.VDZ.2018.20'		
nr.	rev.	alteration	date	name	Rev.	
					surface code	