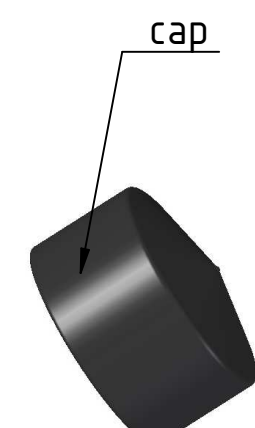
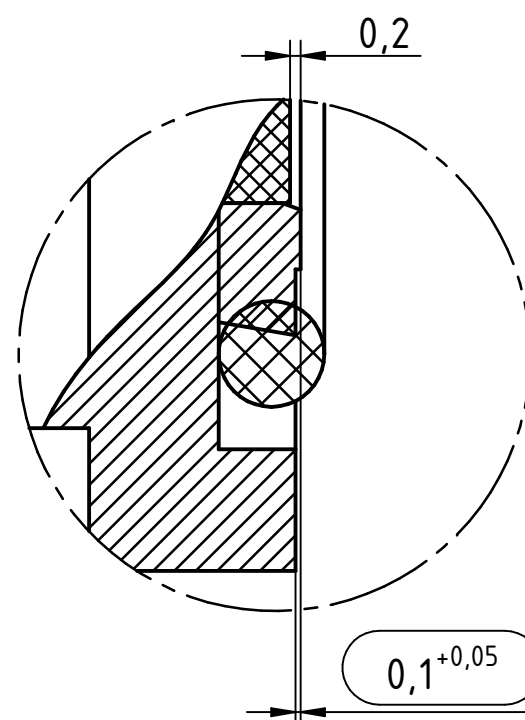
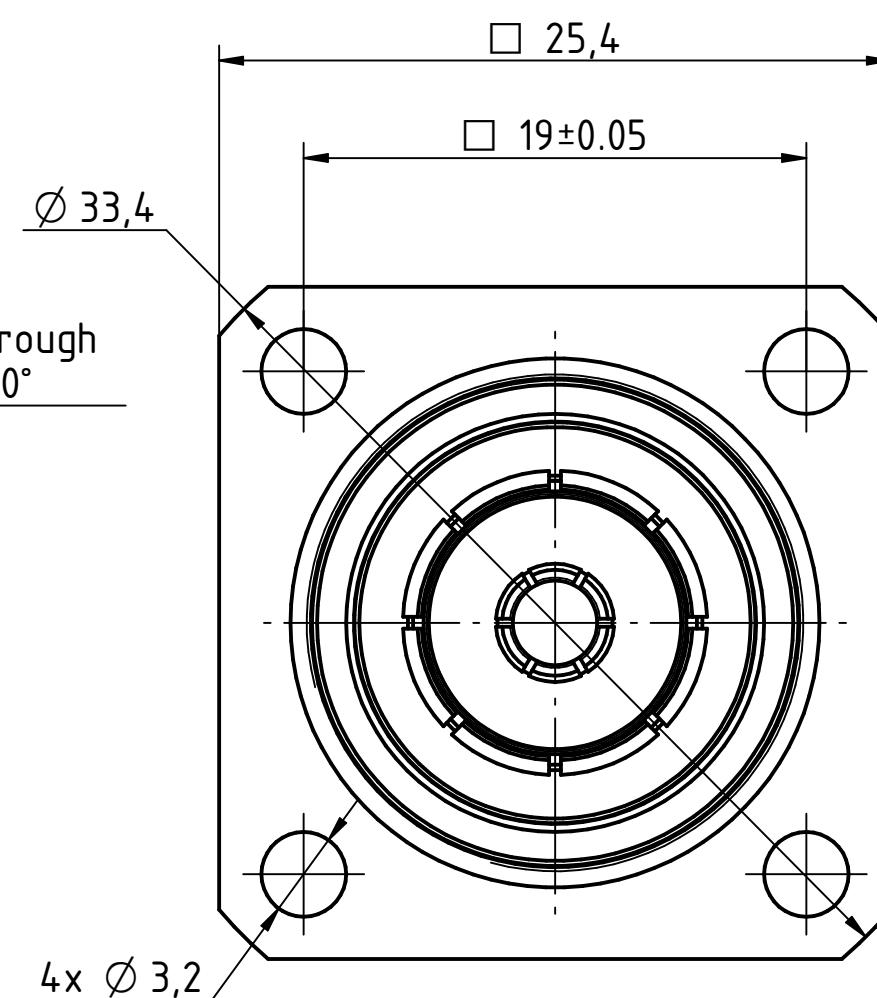
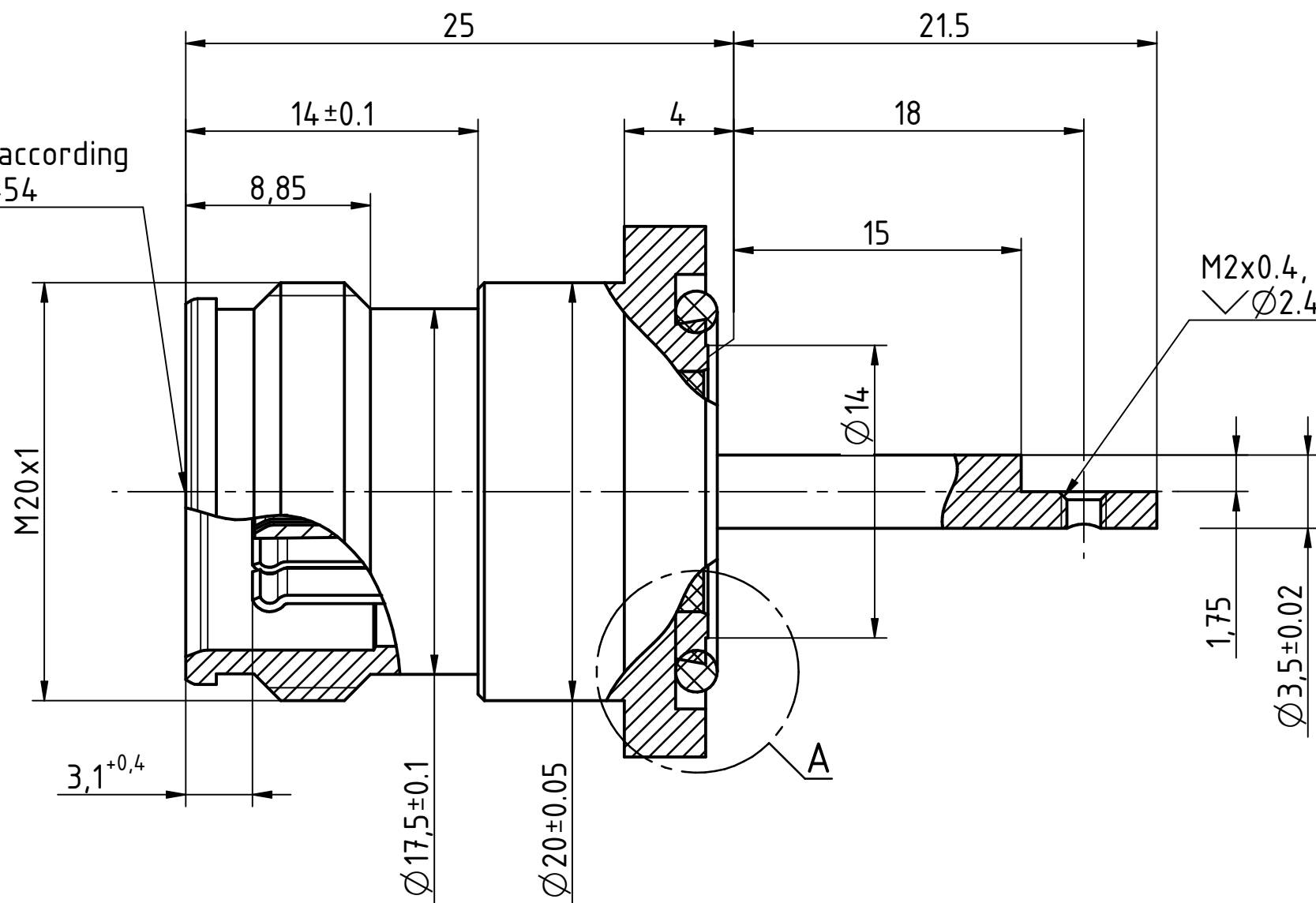


mating area according to IEC 61169-54



detail A

| | | | | | |
|-----------------------|------|-------------------|------------|--------------------------|--------------|
| IMS CONNECTOR SYSTEMS | | General Tolerance | ISO 2768 | scale: 3:1 | unit: mm |
| | | ISO 2768 | -m- | | |
| | | mH | 0.5-3 ±0.1 | | |
| | | angle: ±5° | 3.0-6 ±0.1 | | |
| | | | 6-30 ±0.2 | | |
| | | generate | date | name | |
| | | checked | 4/14/15 | Dony Ni | |
| | | norm | | Shin | |
| | | | | 4.3/10 Flange mount jack | |
| | | | | 7414.VDZ.2018.20' | |
| nr. | rev. | alteration | date | name | Rev. |
| | | | | | surface code |