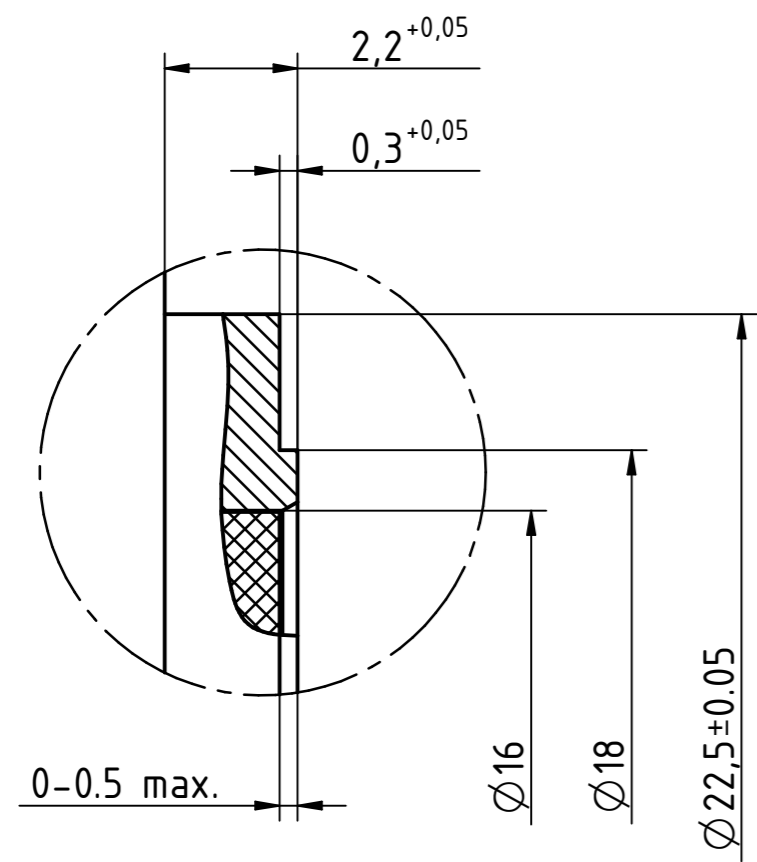
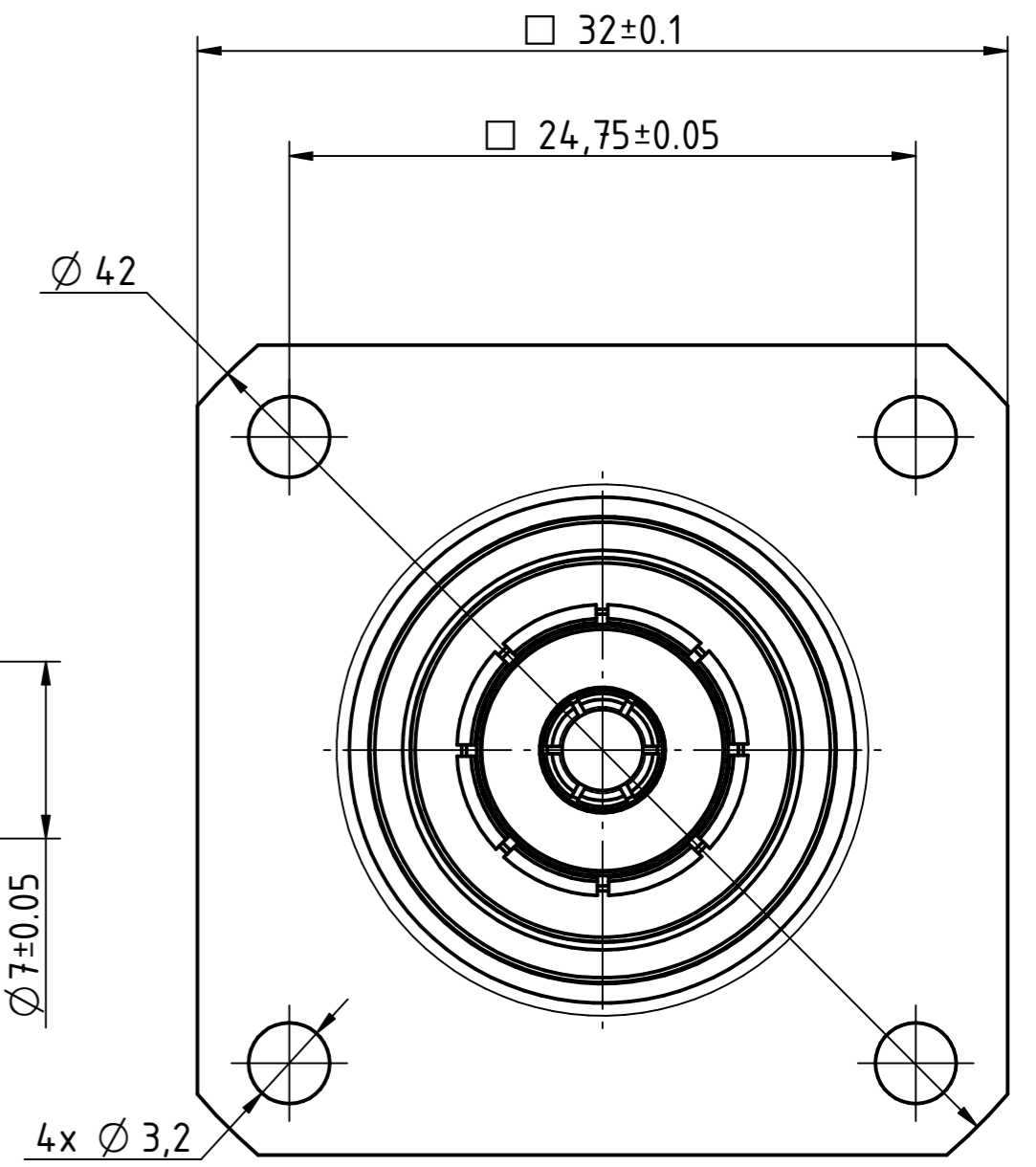
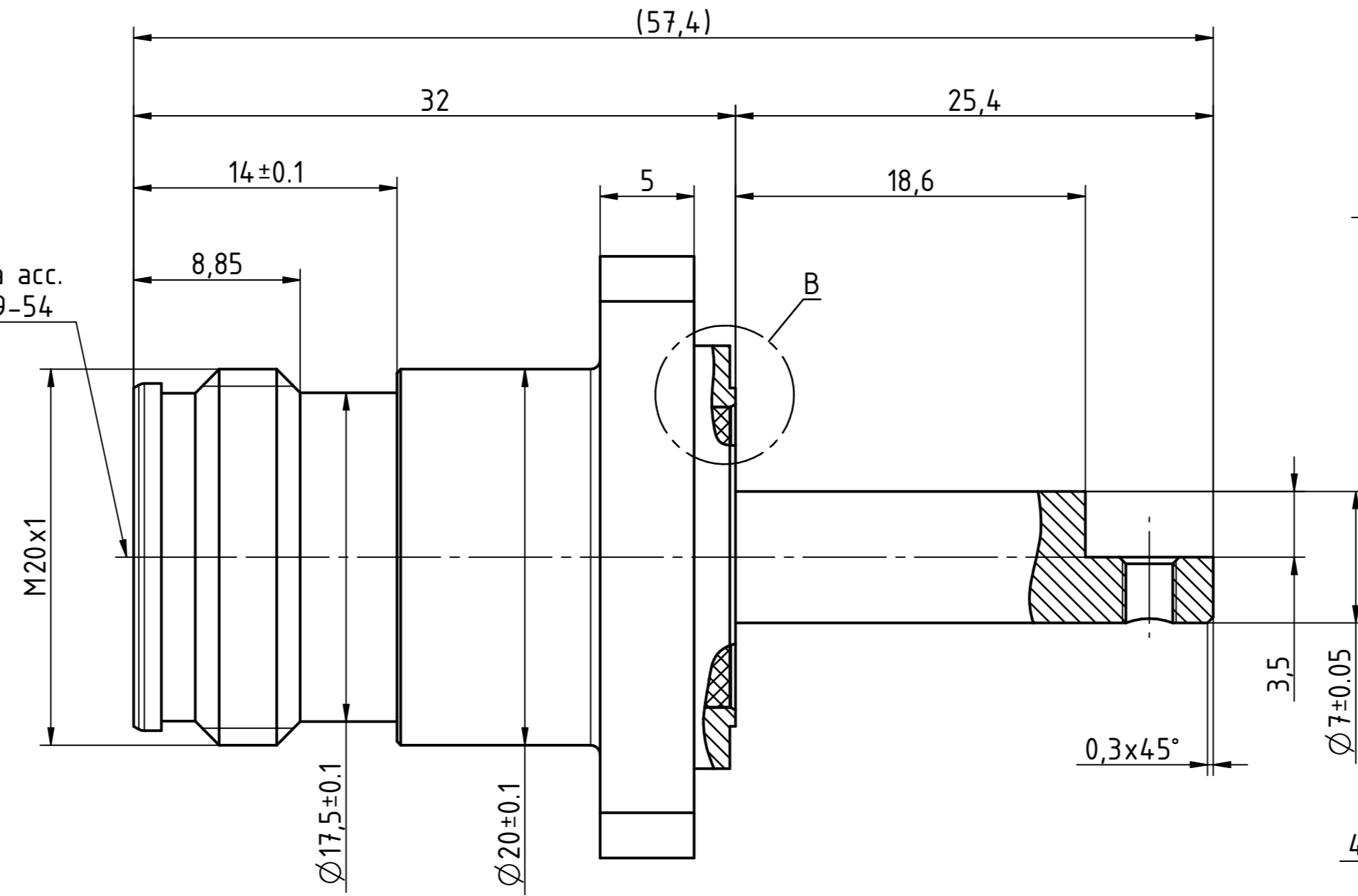
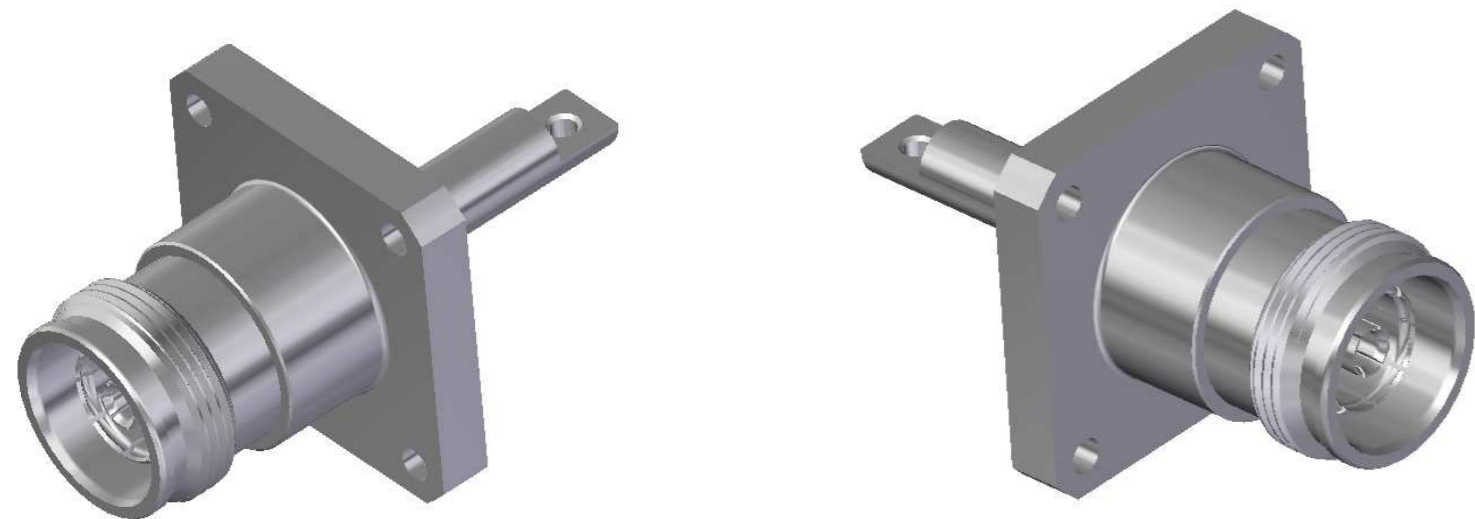
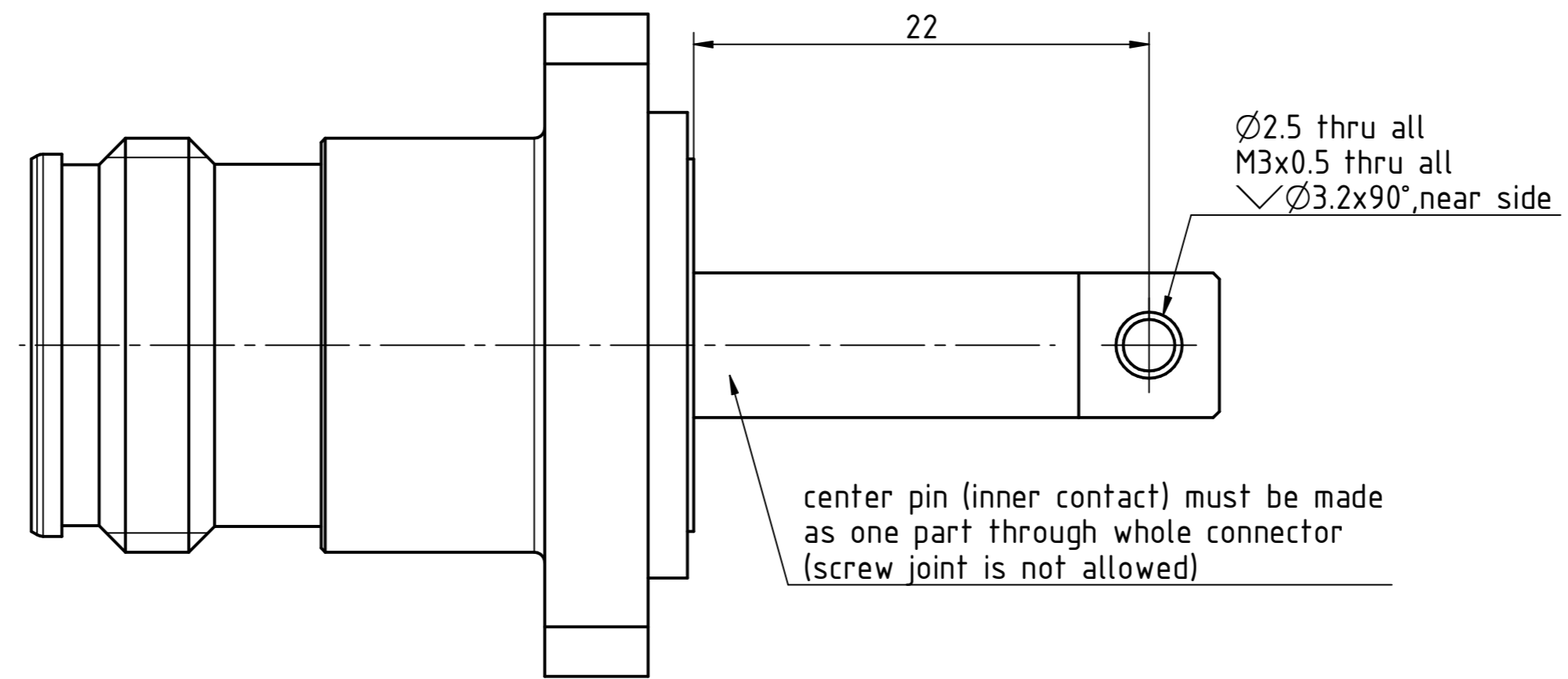


mating area acc. to IEC 61169-54



detail B
8:1



IMS CONNECTOR SYSTEMS		General Tolerance	ISO 2768	scale: 3:1	unit: mm
		ISO 2768	-m		
		0.5-3	±0.1		
		3.0-6	±0.1		
		6-30	±0.2		
		angle: 45°			
generate	date	name			
5/4/2015		Schwaer			
checked		Shin			
norm					
				4.3/10 Flange mount jack	
				7407.VDZ.2018.20'	
nr.	rev.	alteration	date	name	Rev.
				surface code	