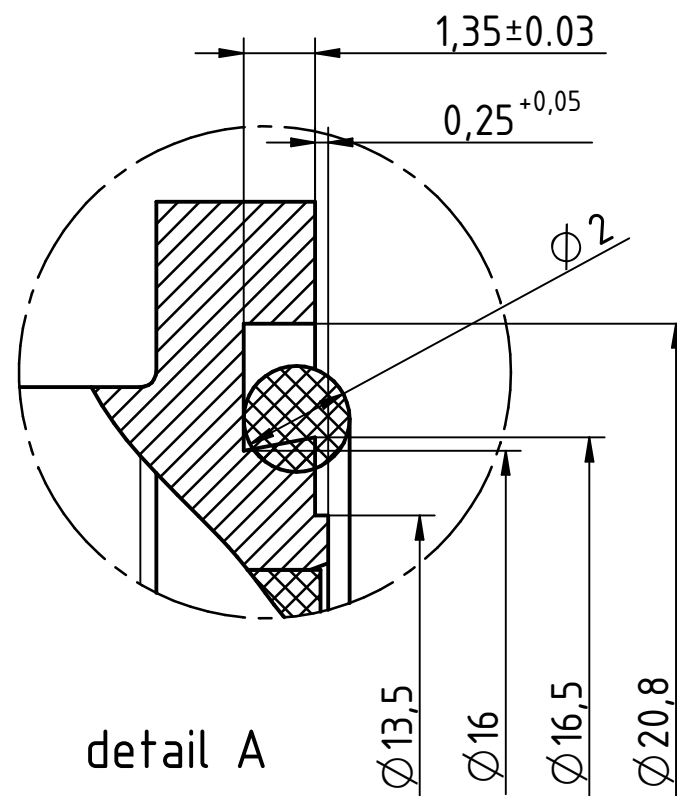
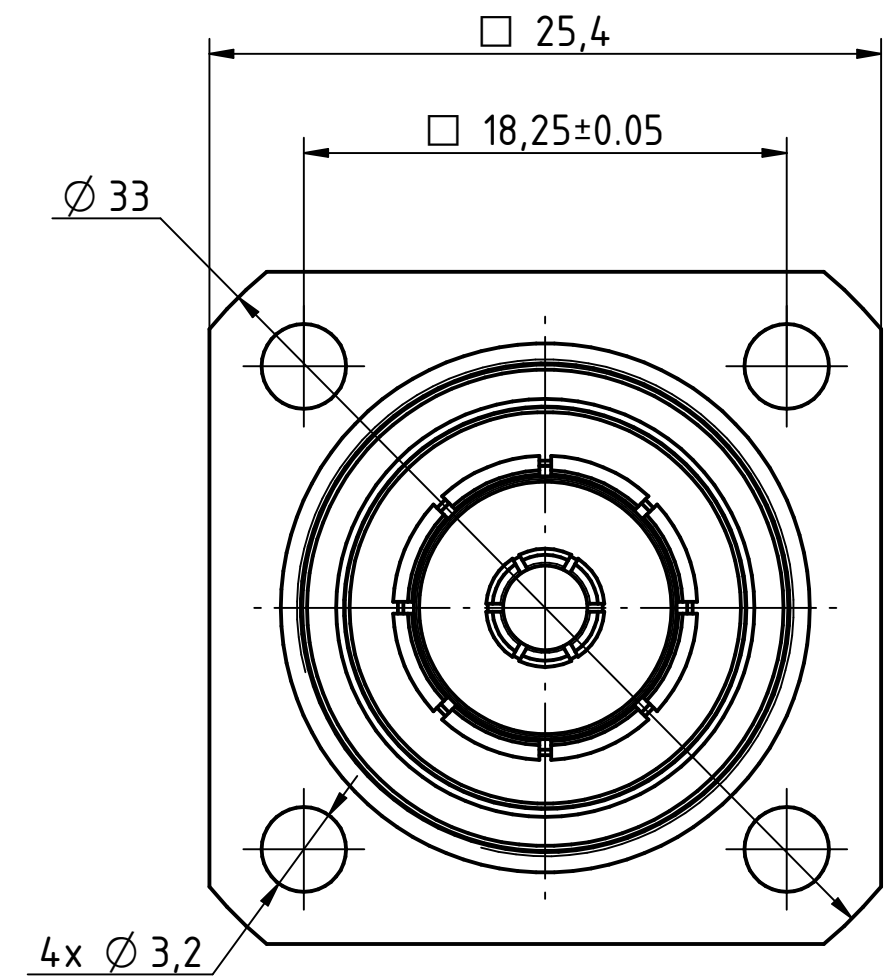
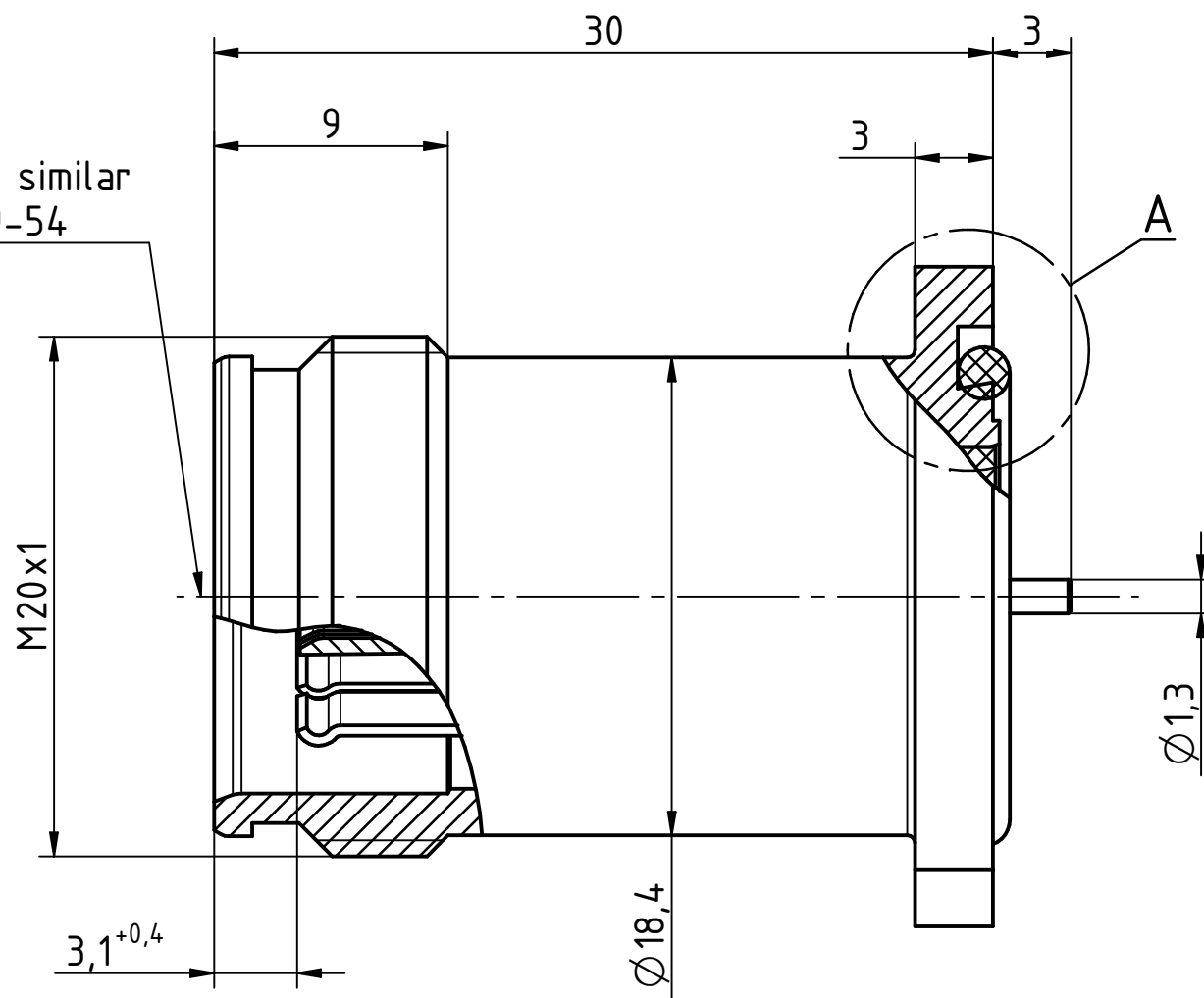
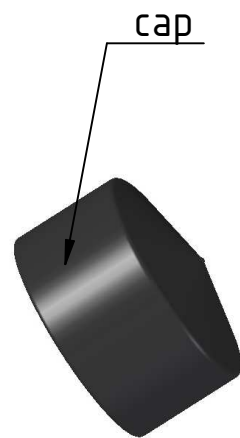
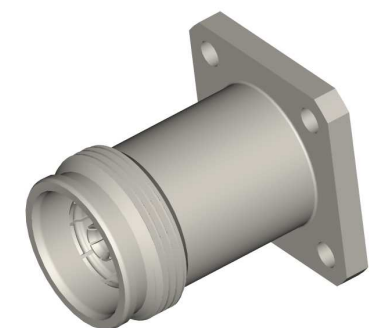
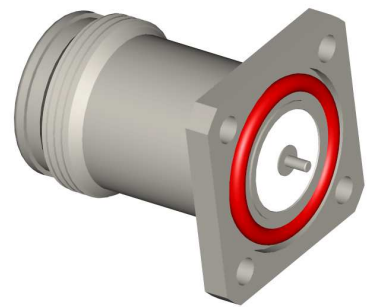


mating area similar to IEC 61169-54



detail A

Part	Material	Surface
Housing	Brass	CuZnSn
Center contact	BeCu	Ag
Outer contact	BeCu	Ag
Insulator	PTFE	



IMS CONNECTOR SYSTEMS		General Tolerance	ISO 2768	ISO 2768	scale: 3:1	unit: mm
		ISO 2768	-m-	-m-		
		mH	0.5-3 ±0.1	3.0-6 ±0.1	4.3/10 Flange mount jack	
		angle: ±5°	6-30 ±0.2			
		date	4/14/15	Dony Ni		
		name		Shin		
		generate			7400.VDZ.2018.20'	
		checked				
		norm			Rev. A	
nr.	rev.	alteration	date	name	surface code	