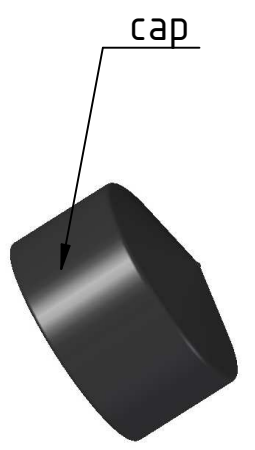
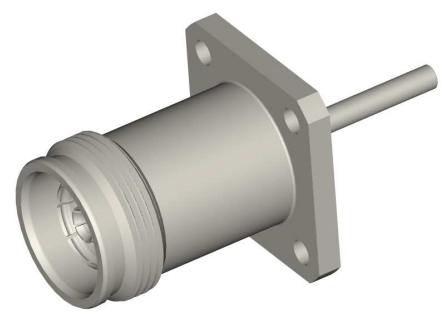
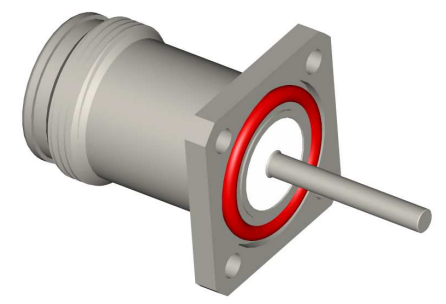
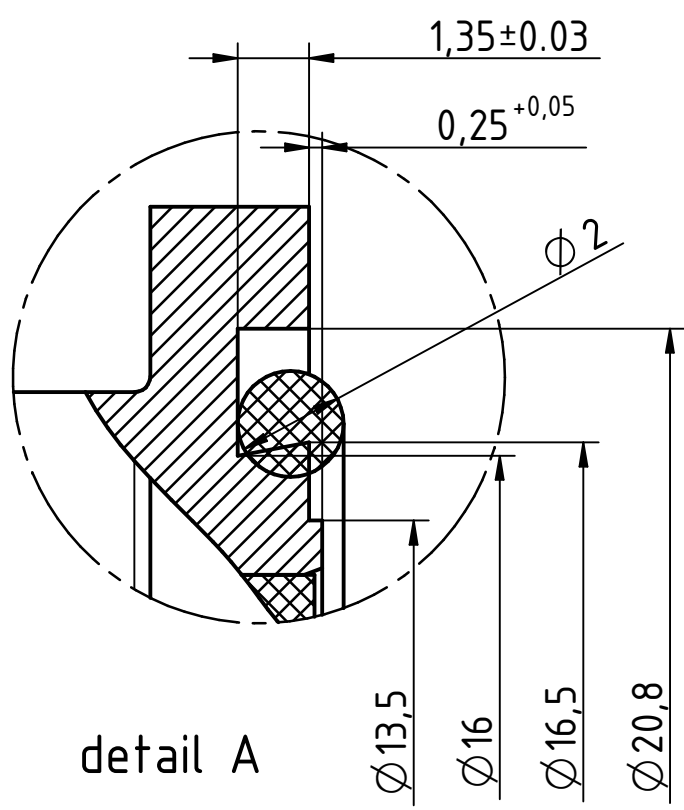
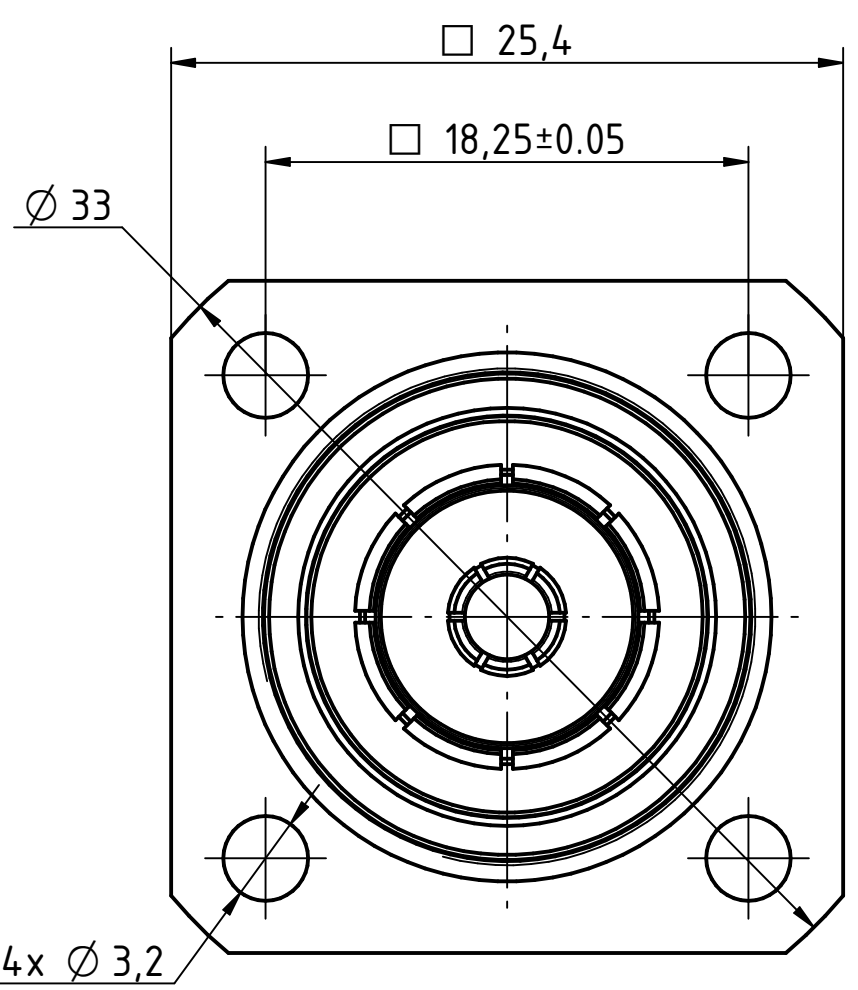
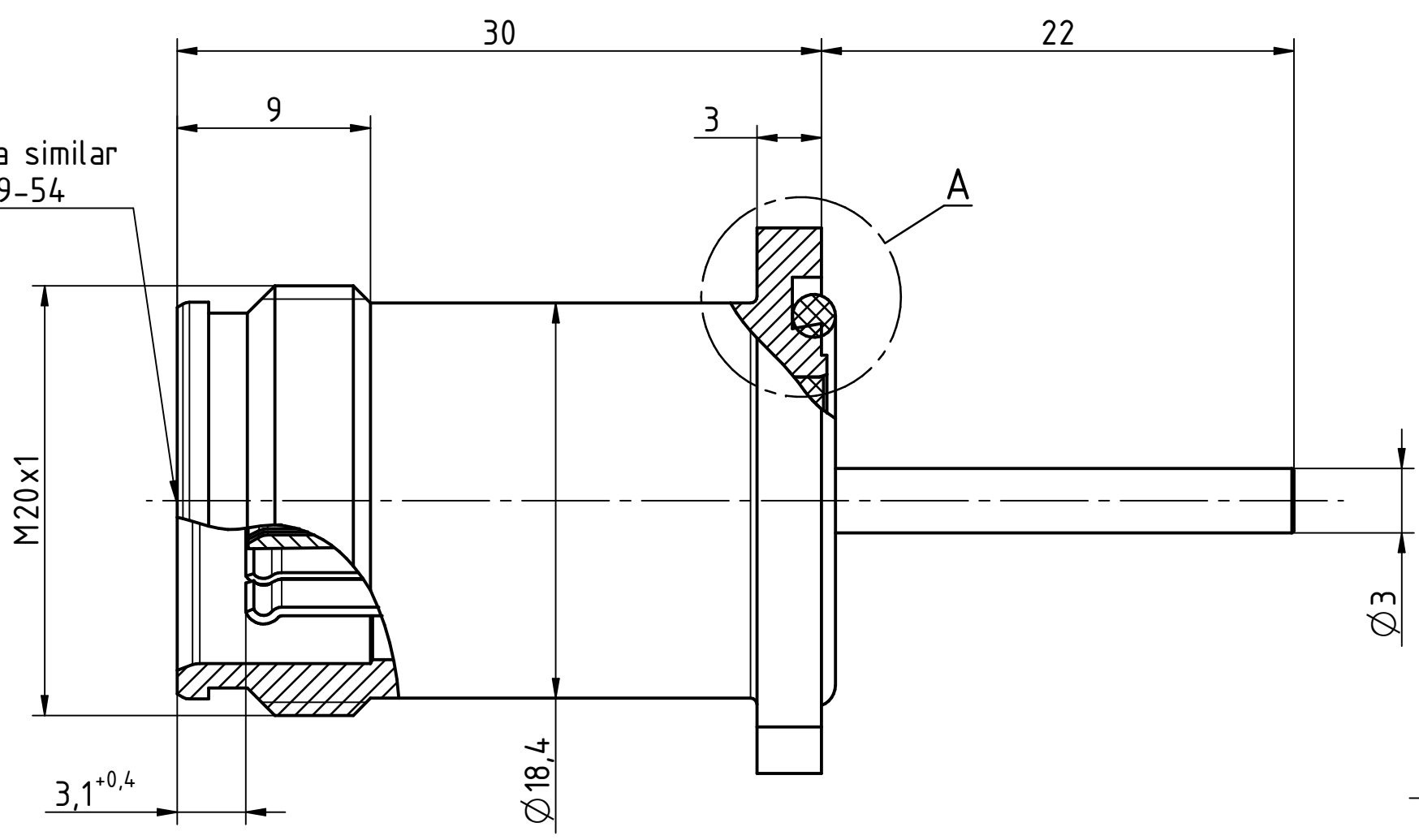


mating area similar to IEC 61169-54



Part	Material	Surface
Housing	Brass	CuZnSn
Center contact	BeCu	Ag
Outer contact	BeCu	Ag
Insulator	PTFE	

IMS CONNECTOR SYSTEMS		General Tolerance	ISO 2768	ISO 2768	scale: 3:1	unit: mm	
		ISO 2768	-m-	-m-			
		mH	0.5-3 ±0.1	3.0-6 ±0.1	4.3/10 Flange mount jack		
		angle ±5°	6-30 ±0.2				
		date	4/14/15	name			
		generate		Dony Ni			
		checked		Shin	7399.VDZ.2018.20'		
		norm					
					Rev.	A	
nr.	rev.	alteration	date	name	surface code		