

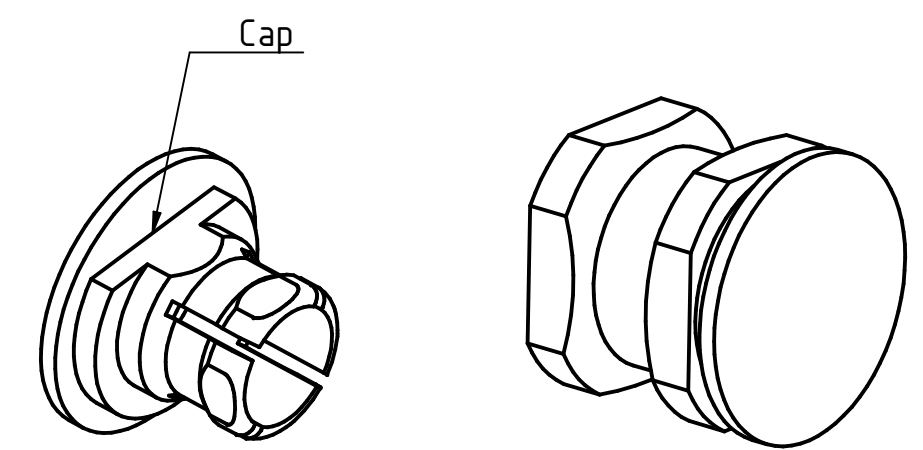
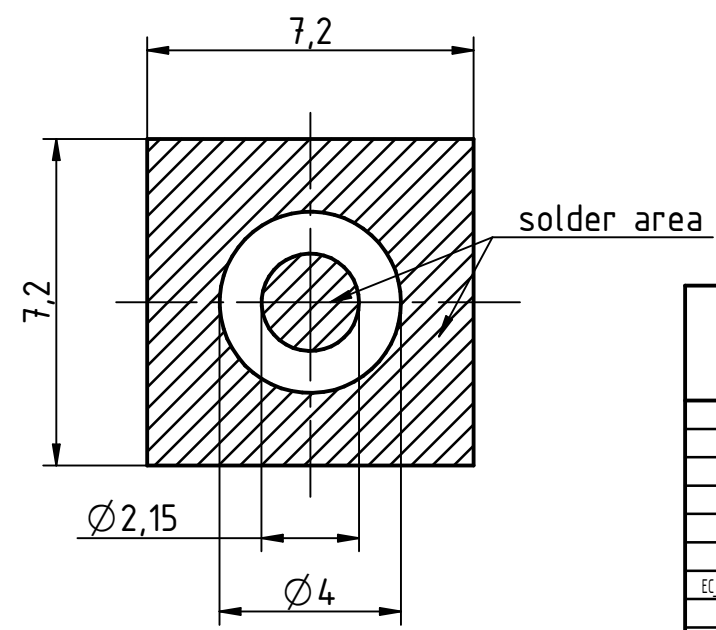
detail A
100:1

assembled cap with connector!

Tape and reel	AGK-6079
Parts/reel	700pcs
Parts/m	83,3
Forward run	0,3m
After run	0,4m
Reel length	9,4m
Reel diameter	330mm

Part	Material	Surface
Housing	Brass	Ni-P + Au
Contact pin	Brass	Ni-P + Au
Insulator	PEEK	
Cap	PA	

recommended PCB layout



IMS CONNECTOR SYSTEMS		General Tolerance	ISO 2768	ISO 2768	scale: 14:1	unit: mm	
		mH	-m-	-m-	"limited detent"		
		angle: ±5°	0.5-3 ±0.1	3.0-6 ±0.1			
			6-30 ±0.2				
		generate	date	name			
		checked	2014/02/10	Luther. Tang			
		norm		Luke Liu			
		PSMP (M) p.c.b. mount plug					
EC_042_18_CN	B	mod. insulator	2018/05/09	Dony			
	A	Add the packing	2014/12/11	Luther			
nr.	rev.	alteration	date	name			
					7295.PSMP.1010.00'	Rev. B	
					surface code		