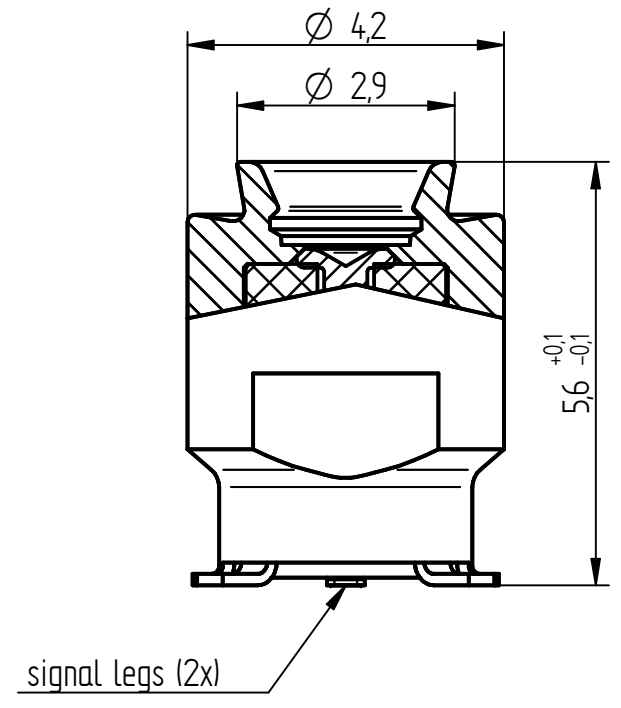
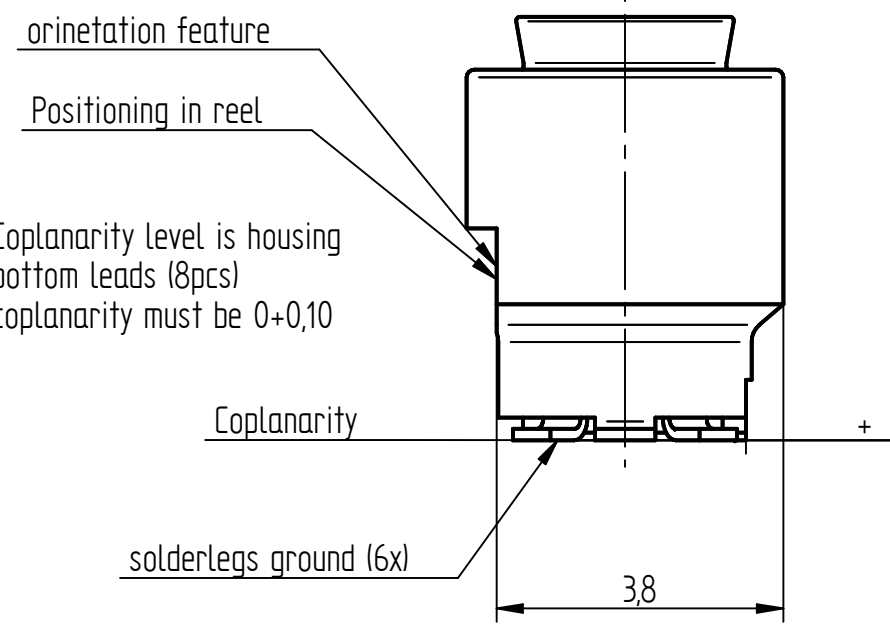
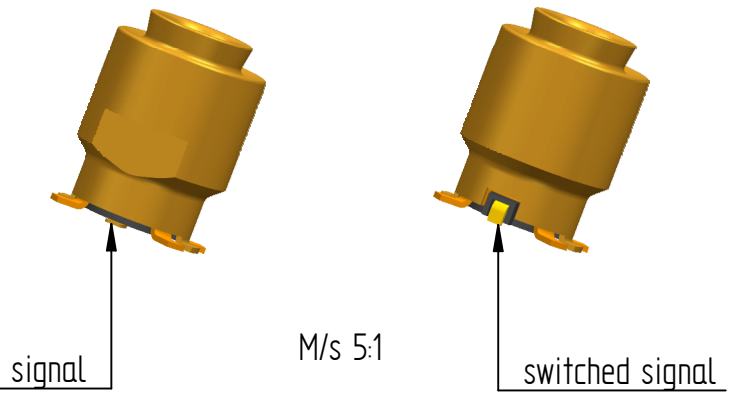
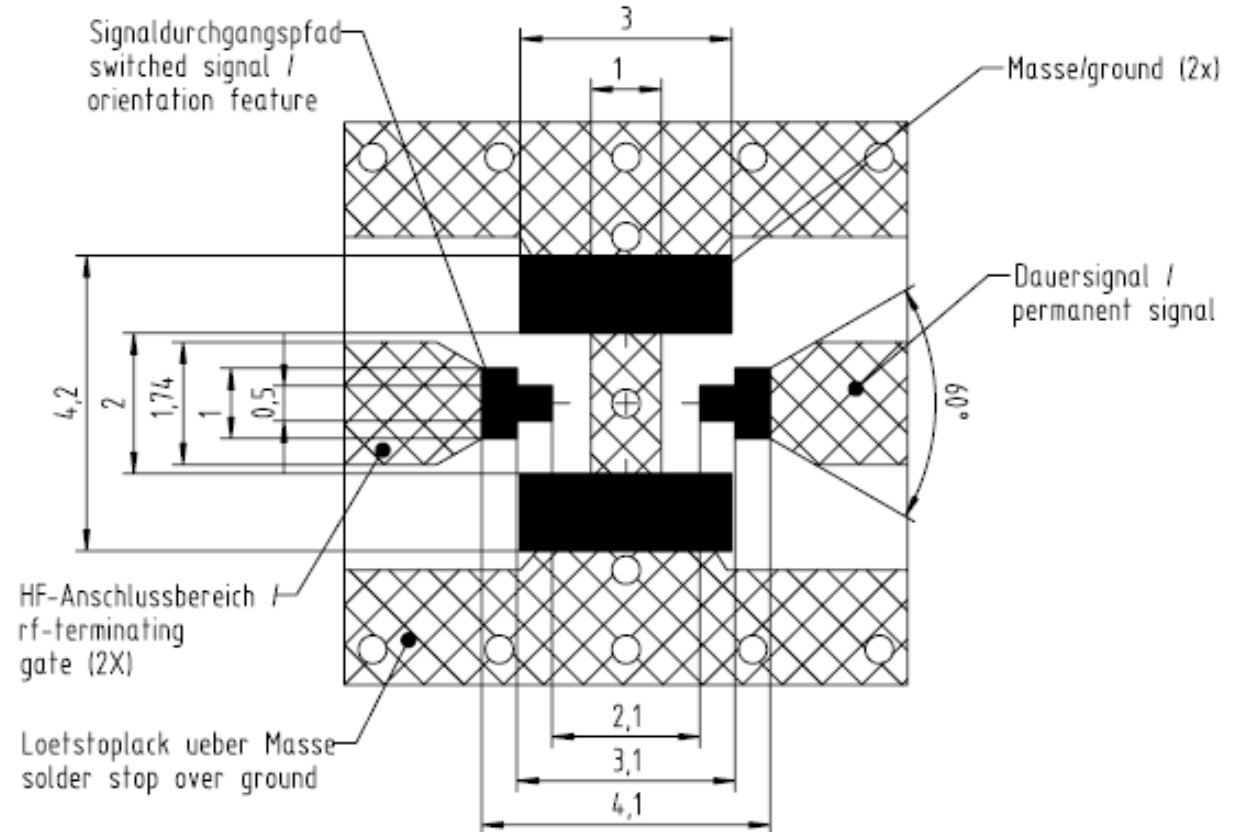


Material und Beschichtung /
material and plating:

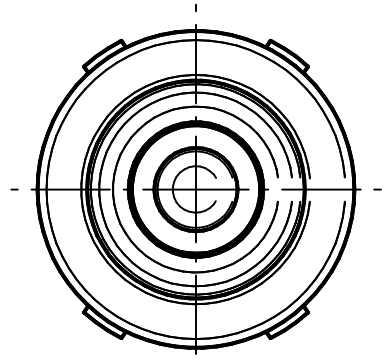
- Gehäuse / housing - Brass / - Au
- Isolierung / insulation - PEEK
- Federn / springs - CuBe / Bronze / - Au
- Pin / center pin - Bronze / - Au
- Andere / Others - stainless steel / - Au



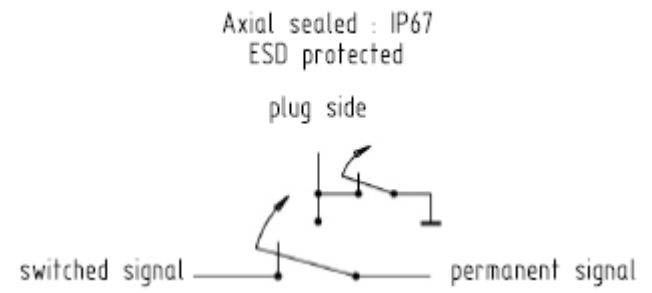
PCB Layout Proposal S10:1
Detailed information can be seen at the specification.



Packing
Tape & Reel
125 parts / m
1400 parts per reel



Compliance with prohibitions
and restrictions to EU/EWG/EC:
76/769/EWG : Yes
2002/95/EC (RoHS): Yes
2011/65/EC (RoHS2): Yes



Projection - ISO 5456 	Unit system - Metric ALL dim. in [mm]	General tolerance ISO 2768 mH	Note	Document type Acceptance drawing			
Created by bgręczy	Approved by Pölz / 19.04.22	Title SMT Schalter	Drawing number 5804.99.0030.00Z		Scale 10:1		
Supplementary title SMT Switch			Rev. A 02	Date of issue 30.03.2022	Lang. EN	Sheet 1/1	

