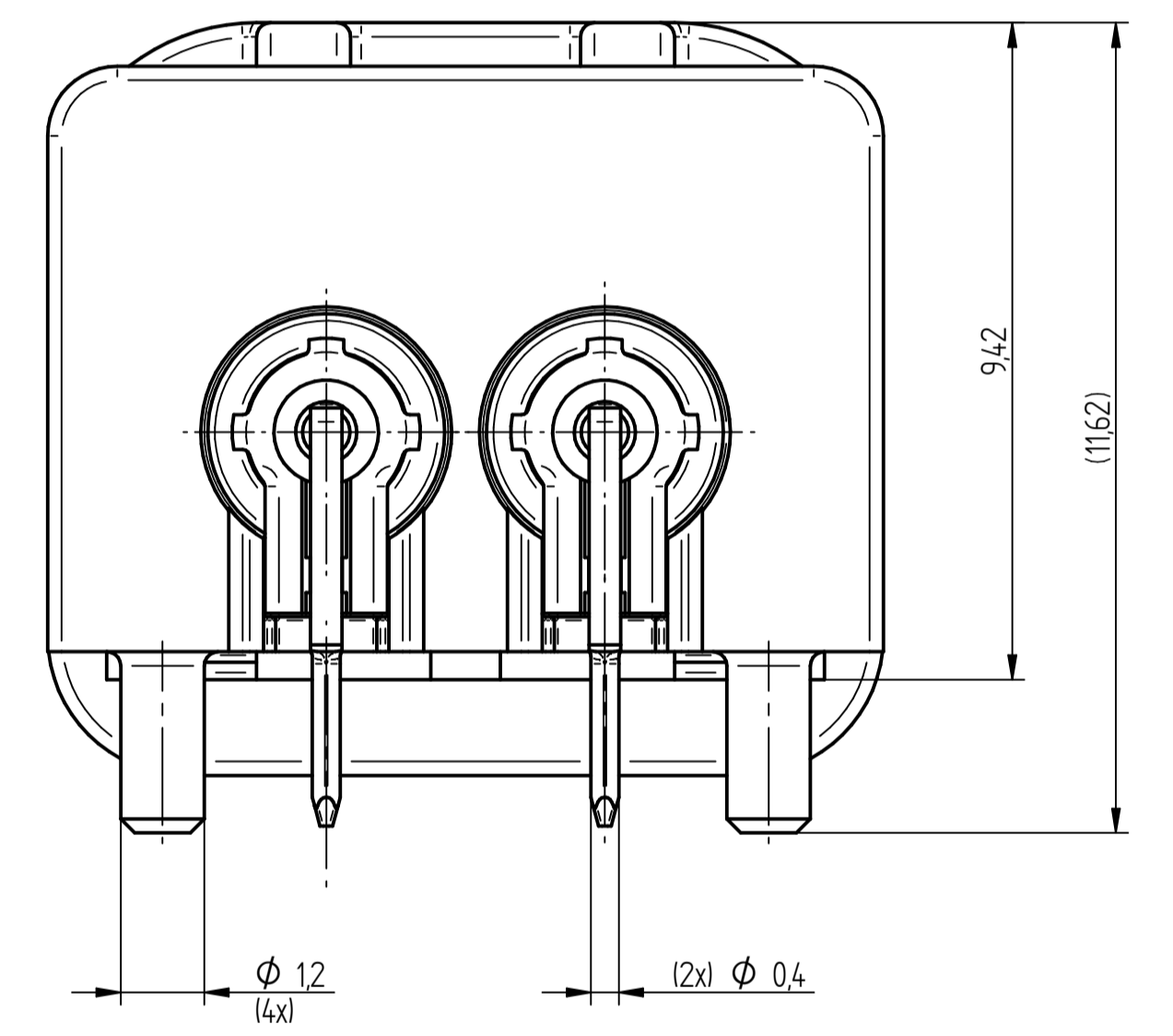
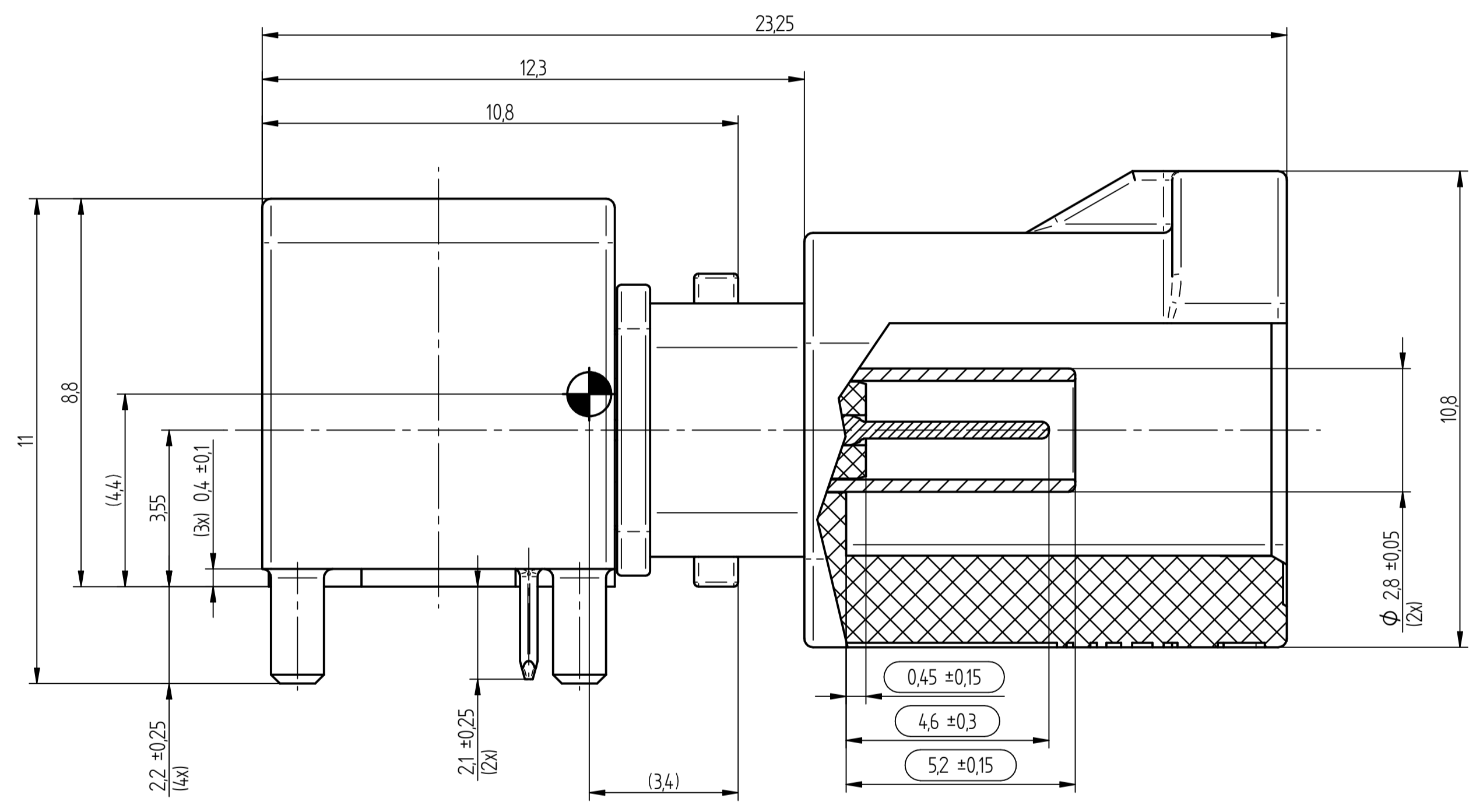
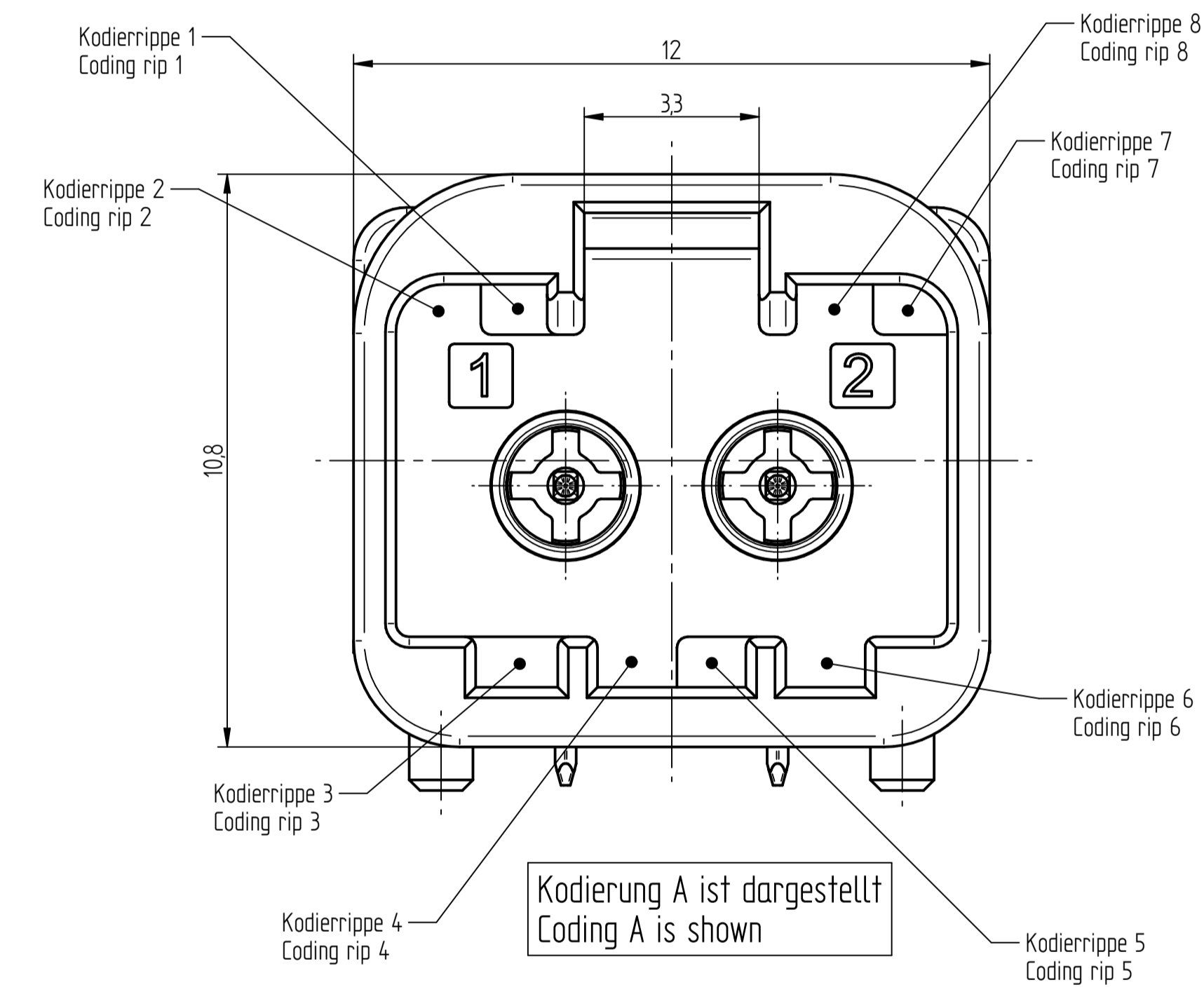
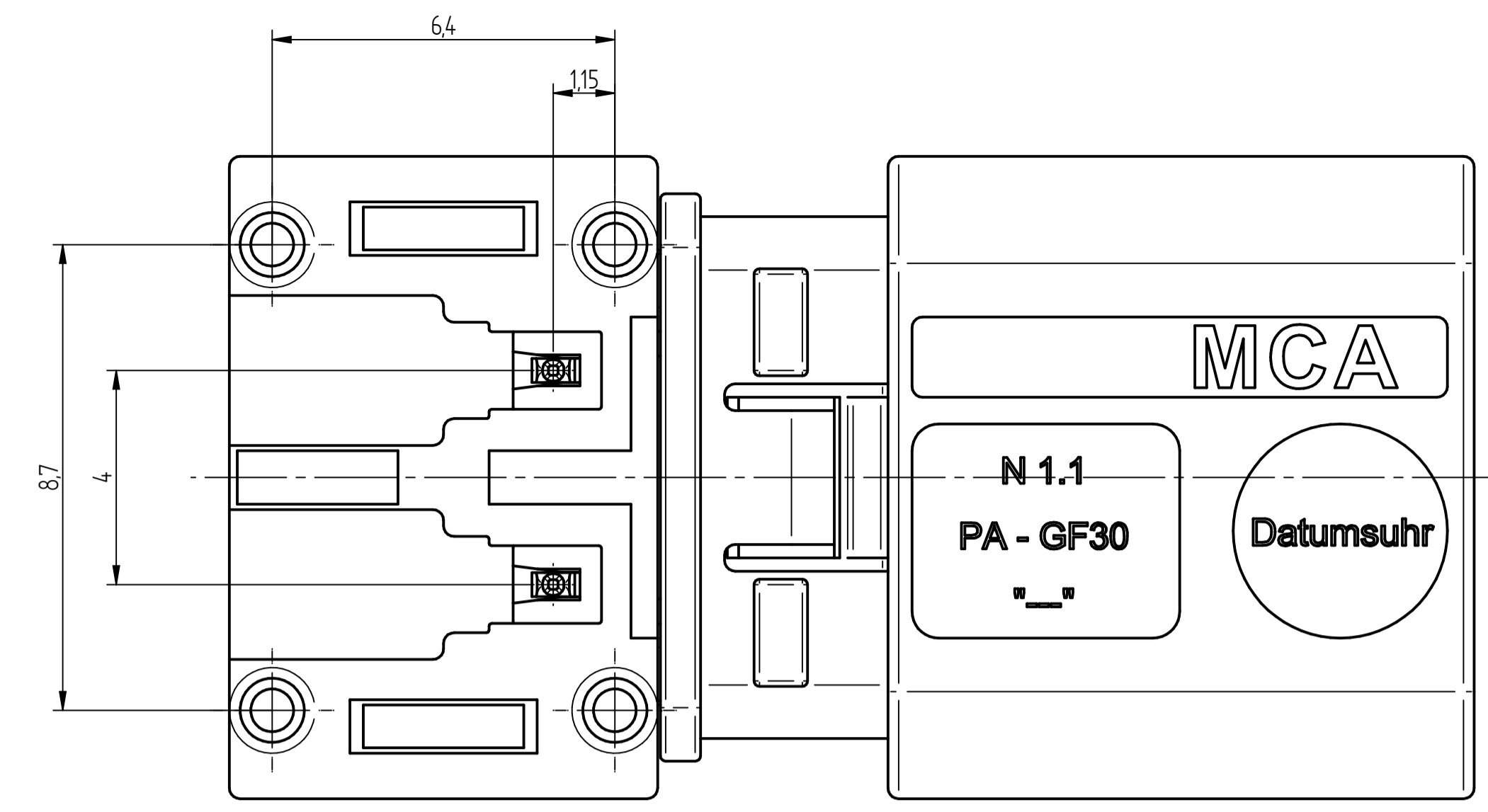
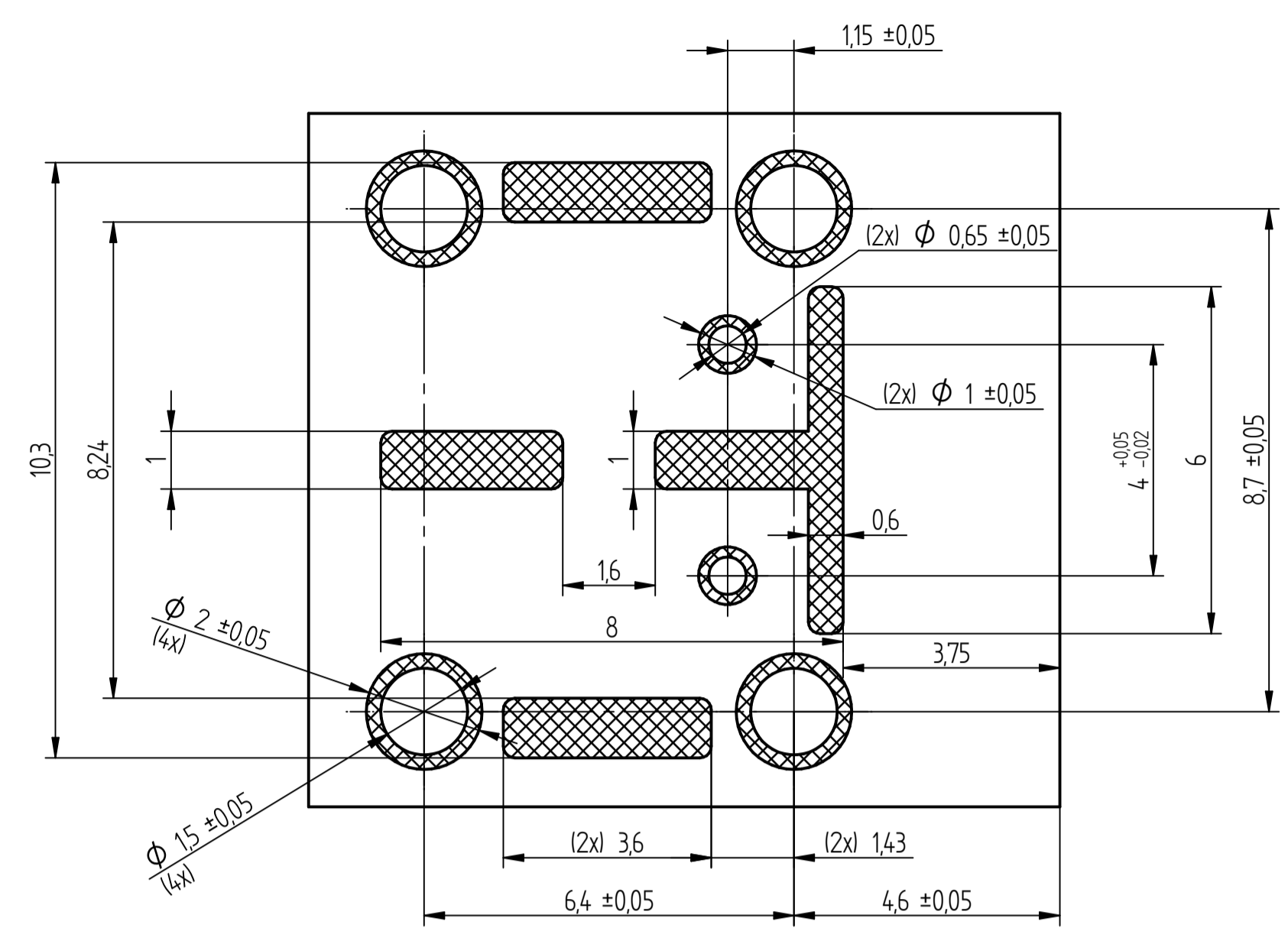


Revision history				
Change ID	Rev	Alteration	Date	Name
Design	a	Change acc. sim	30.04.21	rschwaer
Design	b	Add. tape & reel	06.08.21	rschwaer
224007	c	Cap. c.p. & LCP insu	15.03.22	rschwaer

Empfohlenes Leiterplattenlayout - ( nur zur Information )  
Recommended PCB Footprint - ( only for information )



**Kodierungsvariante "X" muss in Zeichnungsnummer festgelegt werden, wenn eine Bestellung ausgelöst wird.**

**Coding Type "X" have to be stated within the drawing number, when an order is placed**

Kodierungsvariante Coding Type "X"	Kodiernut 1 Coding 1	Kodiernut 2 Coding 2	Kodiernut 3 Coding 3	Kodiernut 4 Coding 4	Kodiernut 5 Coding 5	Kodiernut 6 Coding 6	Kodiernut 7 Coding 7	Kodiernut 8 Coding 8	Farbe color	ähnlich RAL similar RAL
A	gesperrt closed	offen open	gesperrt closed	offen open	gesperrt closed	offen open	gesperrt closed	offen open	tiefschwarz jet black	9005
B	offen open	gesperrt closed	offen open	gesperrt closed	offen open	gesperrt closed	offen open	gesperrt closed	reinweiss pure white	9010
C	gesperrt closed	offen open	gesperrt closed	offen open	offen open	gesperrt closed	offen open	gesperrt closed	lichtblau light blue	5012
D	offen open	gesperrt closed	offen open	gesperrt closed	gesperrt closed	offen open	gesperrt closed	offen open	bordeauxviolett claret violet	4004
E	offen open	offen open	gesperrt closed	gesperrt closed	offen open	offen open	gesperrt closed	gesperrt closed	maigrün may green	6017
F	gesperrt closed	gesperrt closed	offen open	offen open	gesperrt closed	gesperrt closed	offen open	offen open	nussbraun nut brown	8011
Z	offen open	offen open	offen open	offen open	offen open	offen open	offen open	offen open	wasserblau waterblue	5021

		Variable Z = Plating / surface code			
Part	Material	1	4	7	9
Housing	diecast		Sn	Sn	
Plastic Housing	PA GF-30				
Centre Pin contact side	brass		Ag	Sn	
Centre Pin pcb side	brass		Ag	Sn	
Outer Contact contact side	brass		Sn	Sn	
Outer Contact pcb side	diecast		Sn	Sn	
Insulator	LCP				



Projection - ISO 5456	Unit system - Metric	General tolerance	Assembly instruction	Document type
ALL dim. in [mm]	ISO 2768 mH			Assembly drawing
Created by	Approved by	Title	Supplementary title	Drawing number
rschwaer	E. Kleiser	MCAIml-p.cb. mount angle plug-2-pol	MCAIml-Anbauwinkelstecker-2-pol	5649MCA1X20.00Z
Scale	Rev	Date of issue	Lang	Sheet
10:1	A 03	18.02.2021	EN	1/2