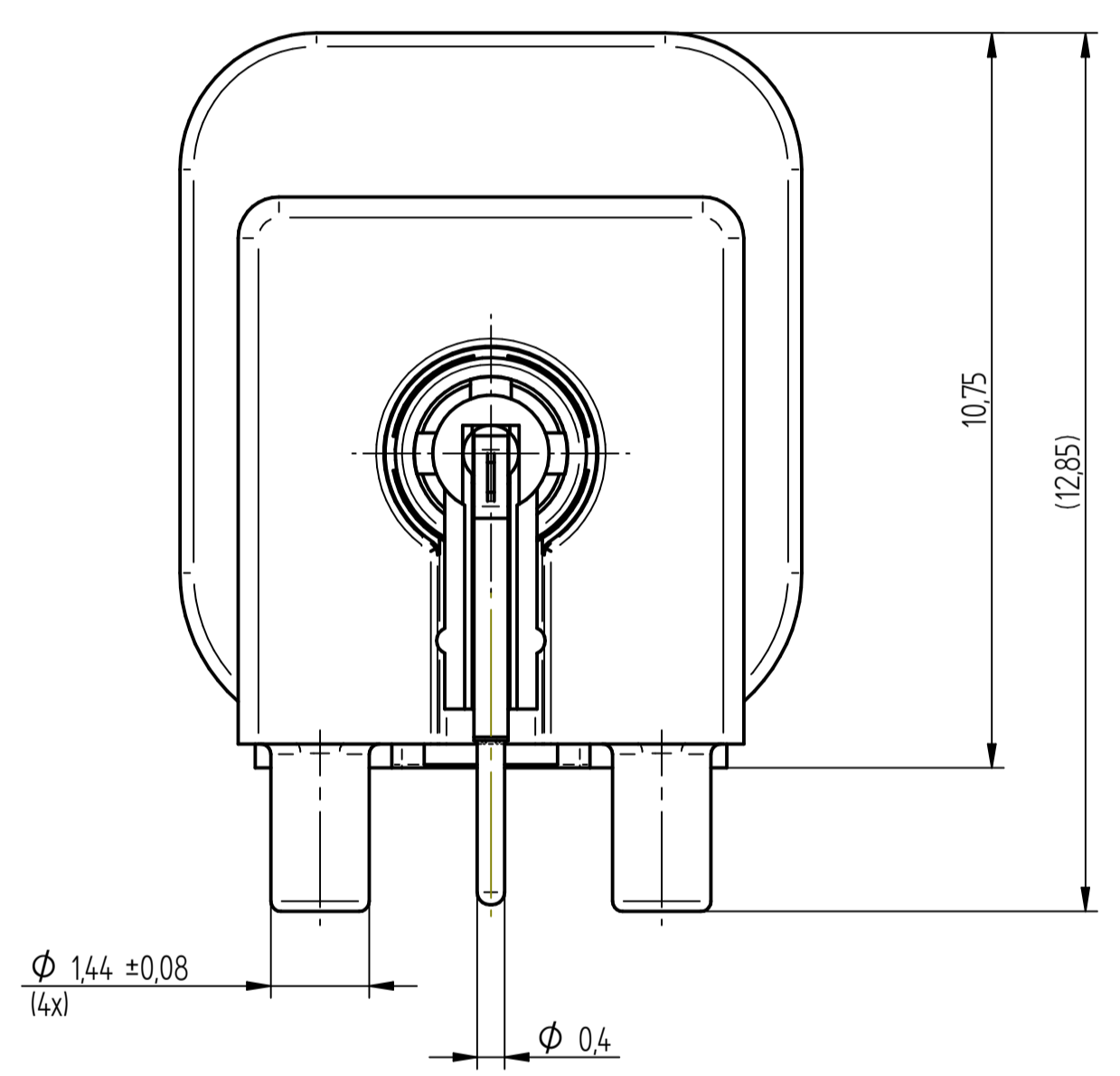
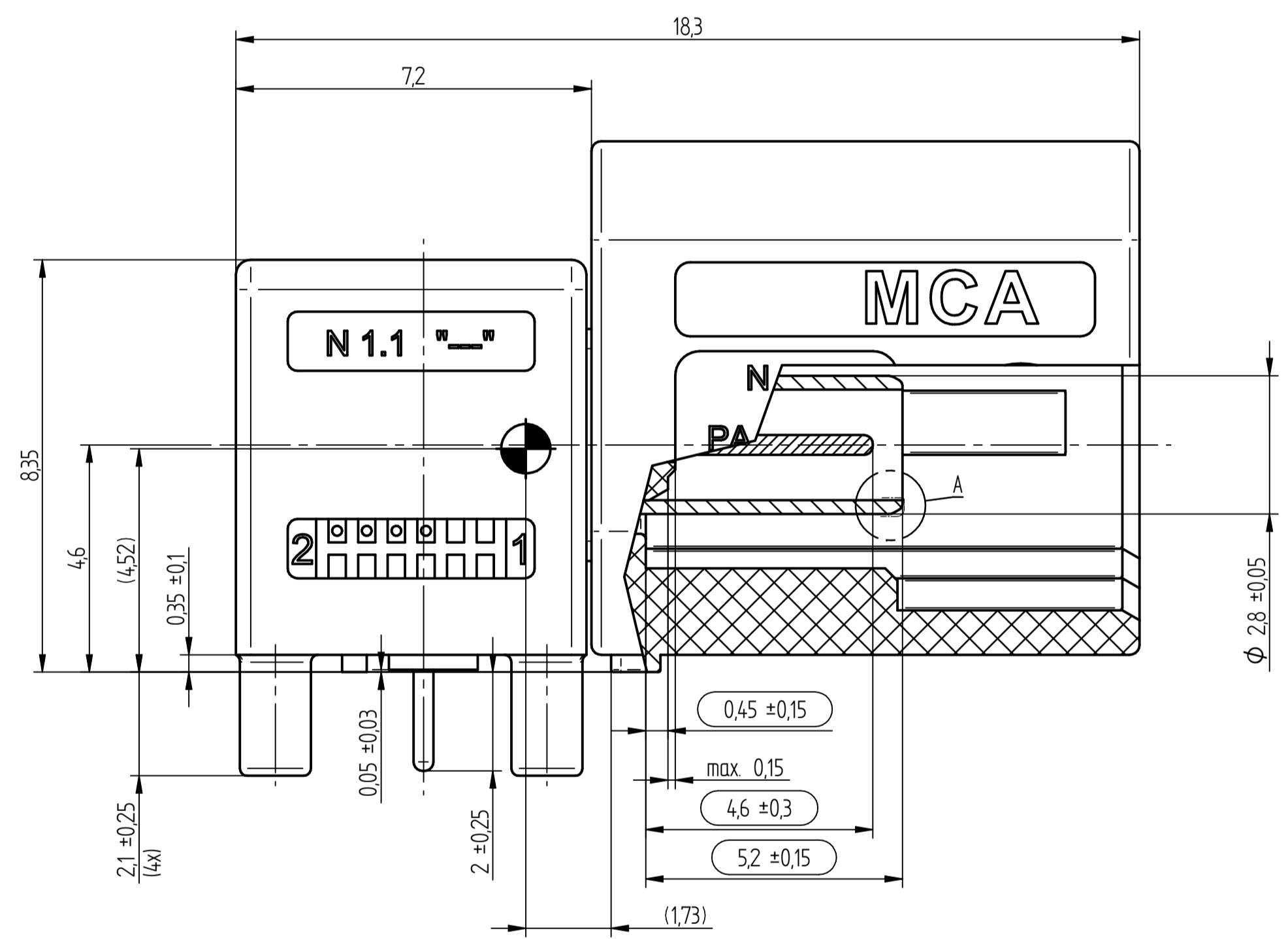
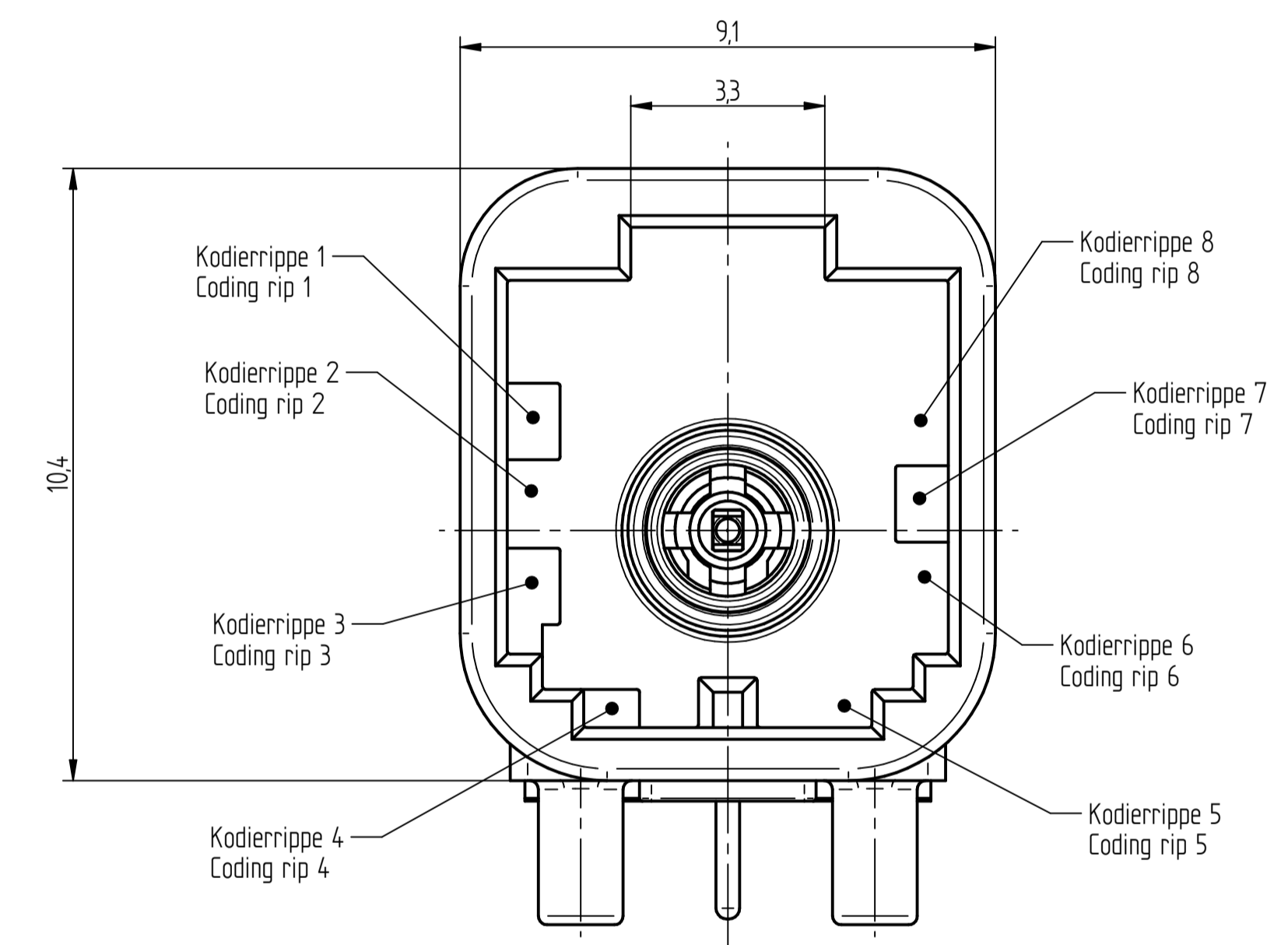
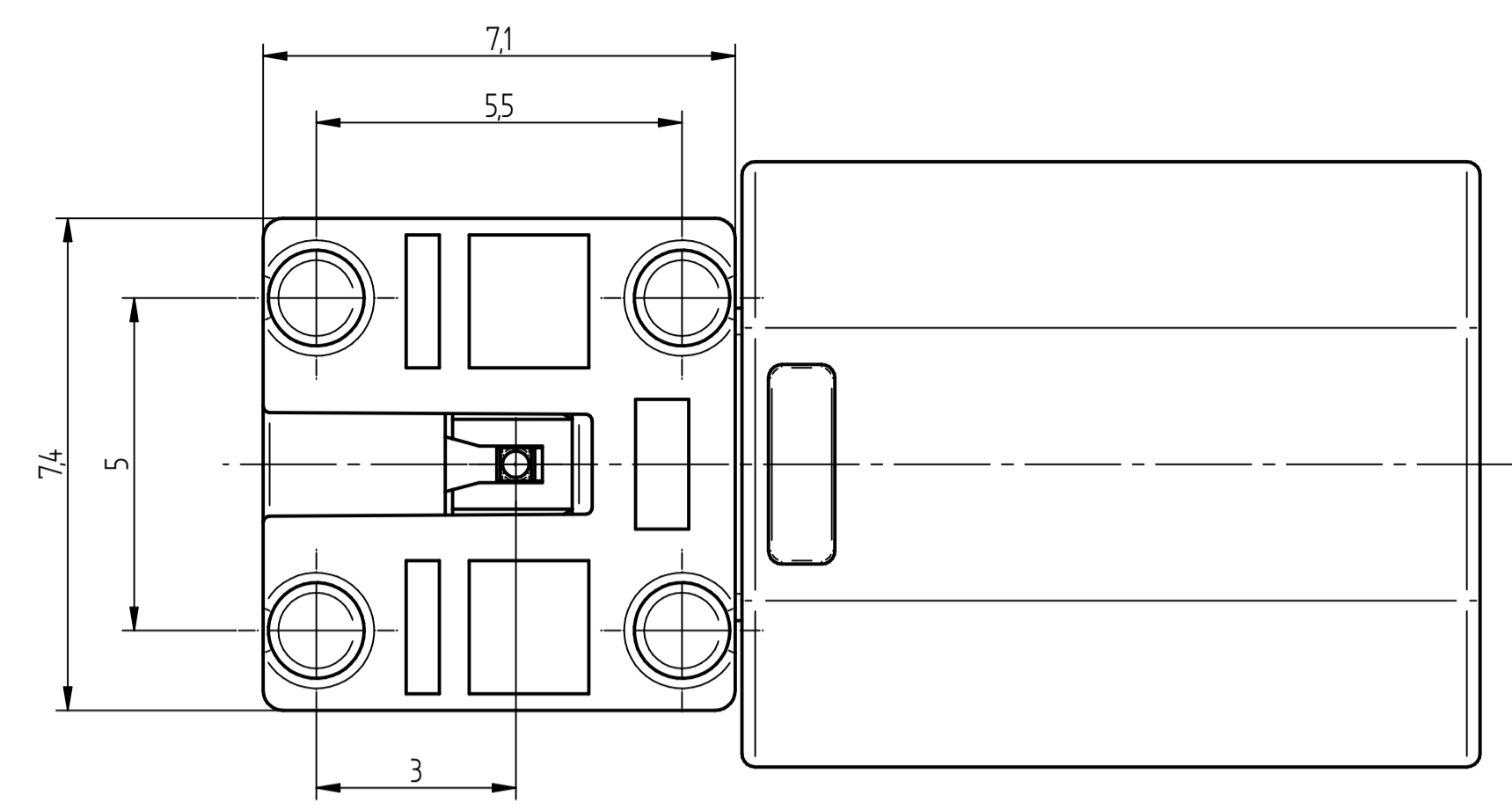
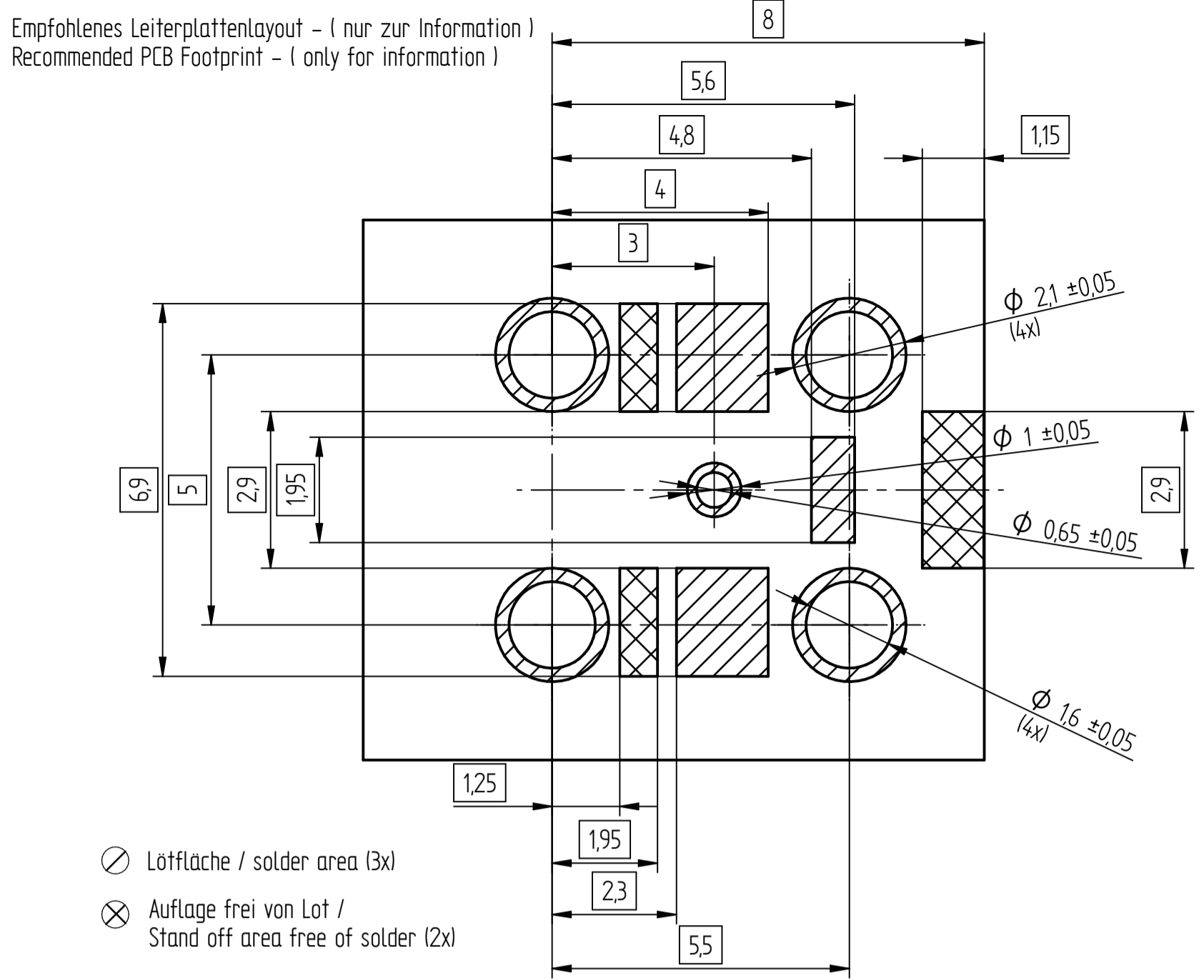


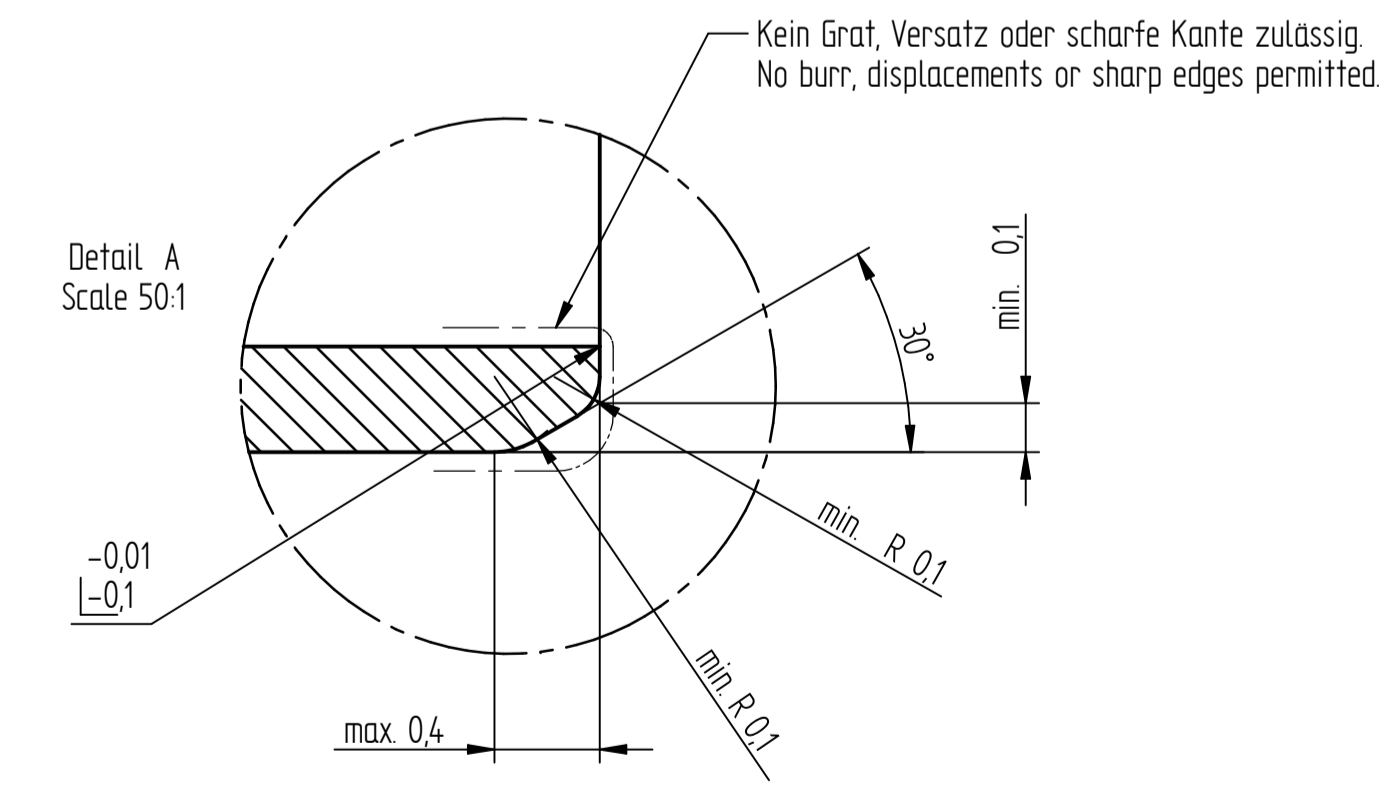
Revision history				
Change ID	Rev	Alteration	Date	Name
Design	a	Revised	24.03.21	rschwaer
Design	b	Revised	21.05.21	rschwaer
PEC_11774_01	c	dia. Date clock 35 in 3mm	17.06.21	rschwaer
221609	d	Change arc. cus	03.11.21	rschwaer
100040247	e	Parts exchanged	15.12.21	rschwaer



**Kodierungsvariante "X" muss in Zeichnungsnummer festgelegt werden, wenn eine Bestellung ausgelöst wird.**

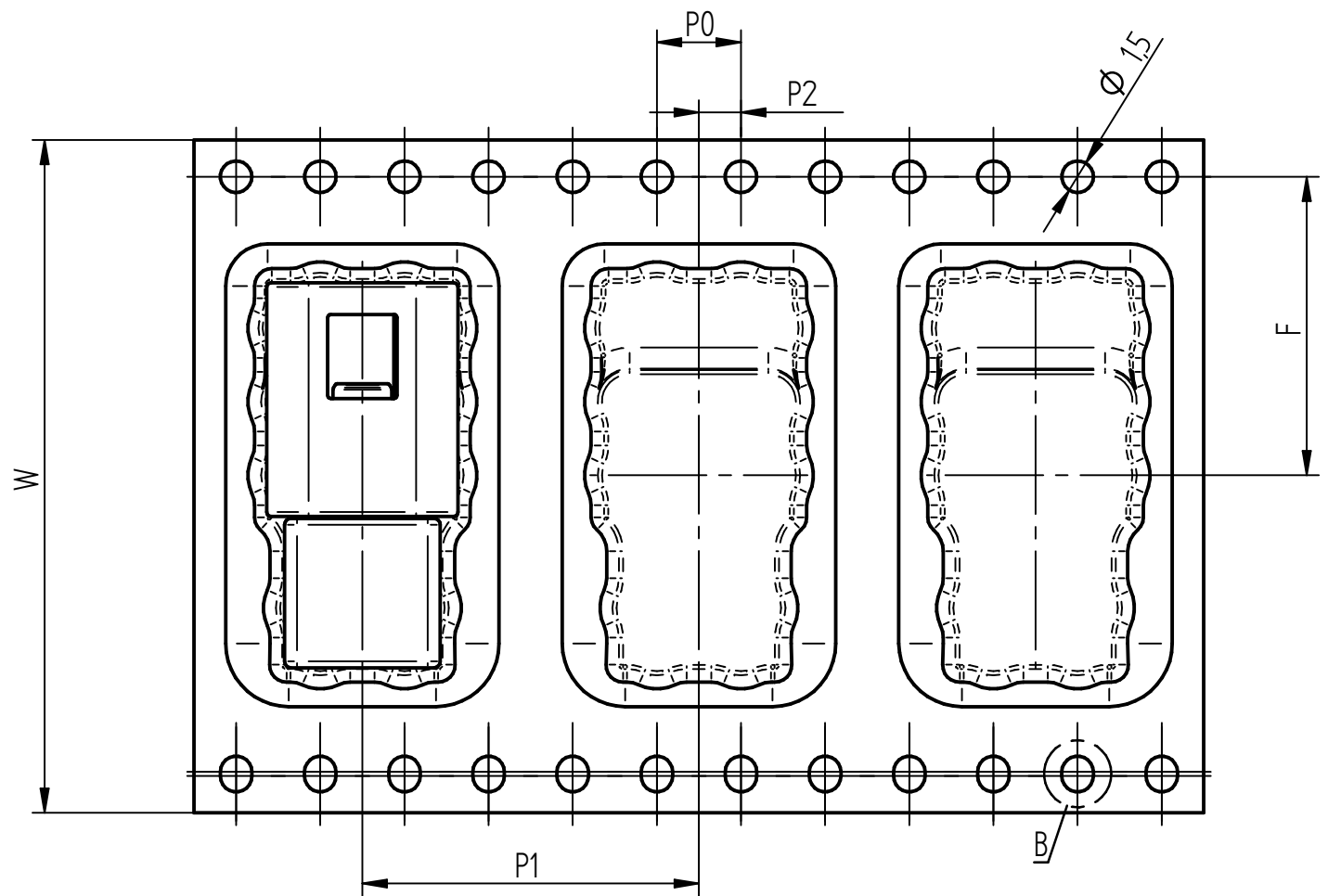
**Coding Type "X" have to be stated within the drawing number, when an order is placed**

Kodierungsvariante Coding Type "X"	Kodiernut 1 Coding 1	Kodiernut 2 Coding 2	Kodiernut 3 Coding 3	Kodiernut 4 Coding 4	Kodiernut 5 Coding 5	Kodiernut 6 Coding 6	Kodiernut 7 Coding 7	Kodiernut 8 Coding 8	Farbe color	ähnlich RAL similar RAL
	offen open	gesperrt closed	gesperrt closed	offen open	gesperrt closed	gesperrt closed	offen open	offen open	tiefschwarz jet black	9005
	offen open	offen open	gesperrt closed	gesperrt closed	offen open	offen open	gesperrt closed	gesperrt closed	reinweiss pure white	9010
	gesperrt closed	offen open	offen open	gesperrt closed	offen open	gesperrt closed	gesperrt closed	offen open	lichtblau light blue	5012
	gesperrt closed	gesperrt closed	offen open	offen open	gesperrt closed	offen open	offen open	gesperrt closed	bordeauxviolett claret violet	4004
	gesperrt closed	offen open	gesperrt closed	gesperrt closed	offen open	offen open	gesperrt closed	offen open	maigrün may green	6017
	gesperrt closed	offen open	offen open	gesperrt closed	offen open	offen open	gesperrt closed	gesperrt closed	nussbraun nut brown	8011
	offen open	offen open	offen open	offen open	offen open	offen open	offen open	offen open	wasserblau waterblue	5021

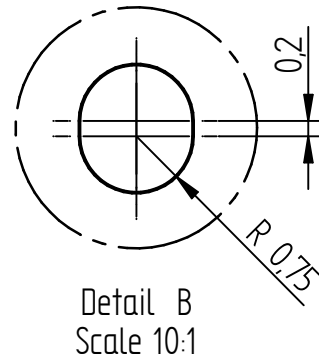
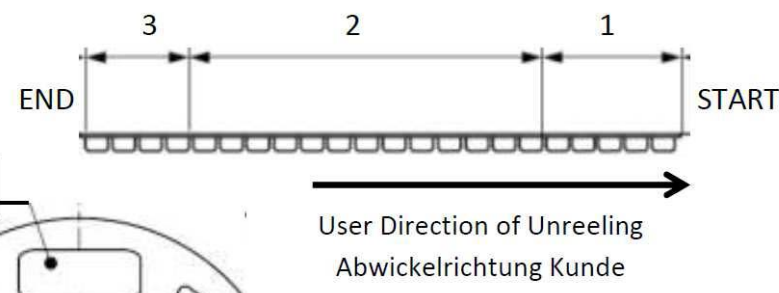


Teil / Part	Material	Variable Z = Oberflächencode / Variable Z = Plating / surface code	Bemerkung / Note
<b>Gehäuse / Housing</b>	diecast	4	
<b>Kunststoffgehäuse / Plastic Housing</b>	PA GF-30		Reflow fähig / Reflow able
<b>Kontaktstift / Centre Pin</b>	brass	Ag	
<b>Aussenkontakt / Outer Contact</b>	brass	Sn	
<b>Isolierung / Insulator</b>	LCP		Epsilon r : 3,7

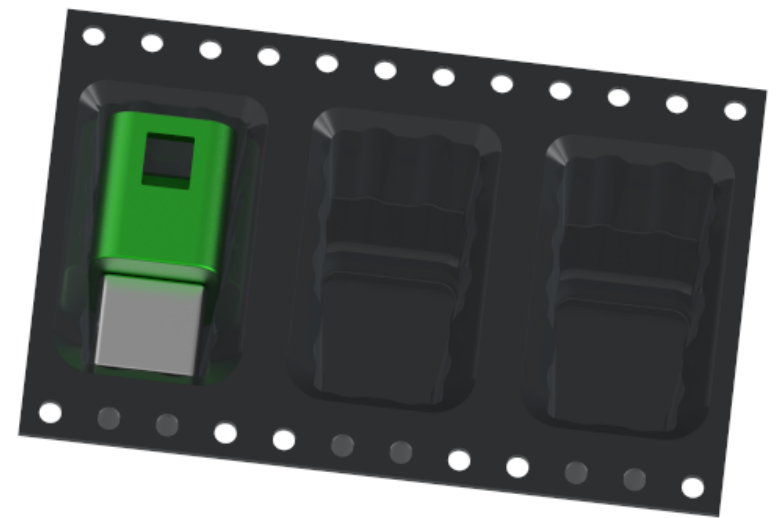
Projection - ISO 5456	Unit system - Metric	General tolerance	Assembly instruction	Document type
	ALL dim. in [mm]	ISO 2768 mH		Assembly drawing
Created by	Approved by	Title	Supplementary title	Drawing number
rschwaer	E. Kleiser	MCA1ml-p.c.b. mount abgle plug-1-pol	MCA1ml-Anbauwinkelstecker-1-pol	5648MCA1X20.00Z
Scale	Rev	Date of issue	Lang	Sheet
10:1	A 04	08.02.2021	EN	1/2



User Direction of Unreeling  
Abwickelrichtung Kunde



Revision history				
Change ID	Rev.	Alteration	Date	Name
Design	a	Revised	24.03.21	rschwaer
Design	b	Revised	21.05.21	rschwaer
PEC_11774_01	c	dia. Date clock 3,5 in 3mm	17.06.21	rschwaer
221609	d	Change acc. cus.	03.11.21	rschwaer
100040247	e	Parts exchanged	15.12.21	rschwaer



Tape size (W)	P0	P1	P2	F
32	4	16	2	14,2

For more information on the tape and reel drawing: AGK-4868  
Für weitere Angaben auf der Blistergurtzeichnung: AGK-4868

Tape and reel	Blistergurt	AGK-4868
Parts/reel (2)	Stck/Gurt (2)	420
Parts/m	Stck/m	62
Forward run (1)	Vorlauf (1)	0,4m
After run (3)	Nachlauf (3)	0,4m
Tape length	Gurtlänge	ca./app. 8m
Reel diameter	Spulendurchmesser	380mm

T&R packaging is in accordance with EIA-481D and IEC-60286-3  
T&R Verpackung nach EIA-481D und IEC-60286-3

Projection - ISO 5456 	Unit system - Metric ALL dim. in [mm]	General tolerance ISO 2768 mH	Assembly instruction	Document type Tape & Reel			
Created by rschwaer	Approved by E. Kleiser	Title MCA(m)-p.c.b. mount abgle plug-1-pol		Drawing number 5648.MCA.1X20.00Z		Scale 1:1	
<b>IMS CONNECTOR SYSTEMS</b>		Supplementary title MCA(m)-Anbauwinkelstecker-1-pol		Rev. A 04	Date of issue 08.02.2021	Lang. EN	Sheet 2/2