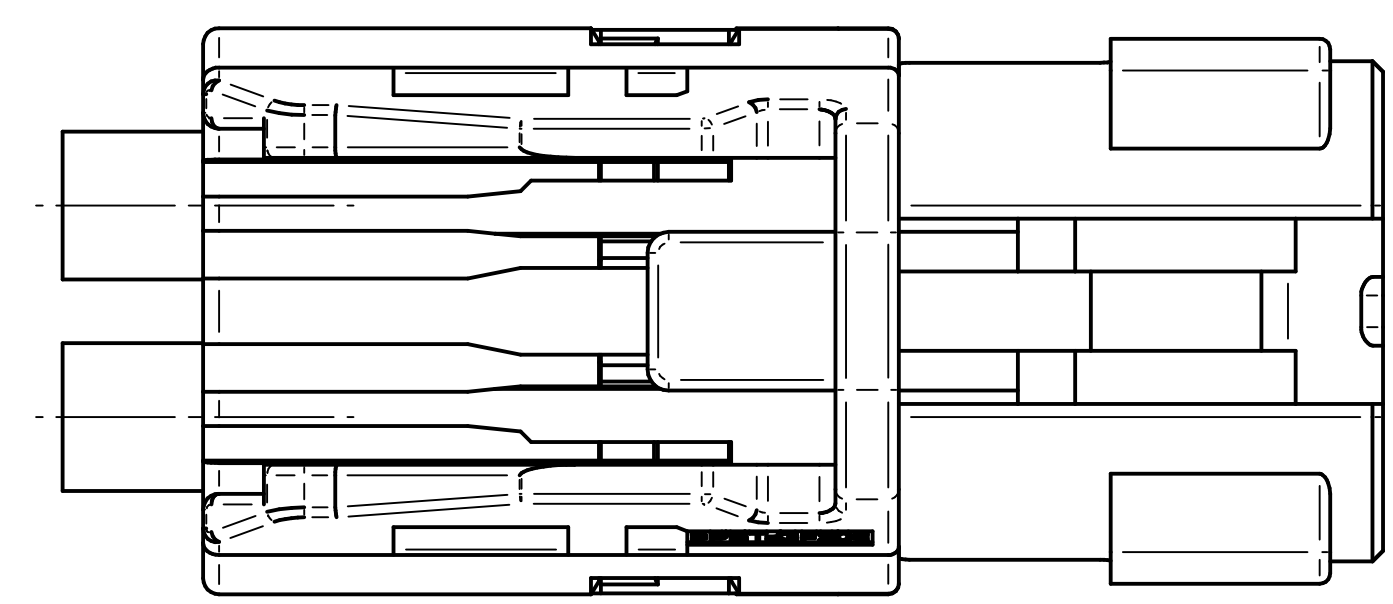
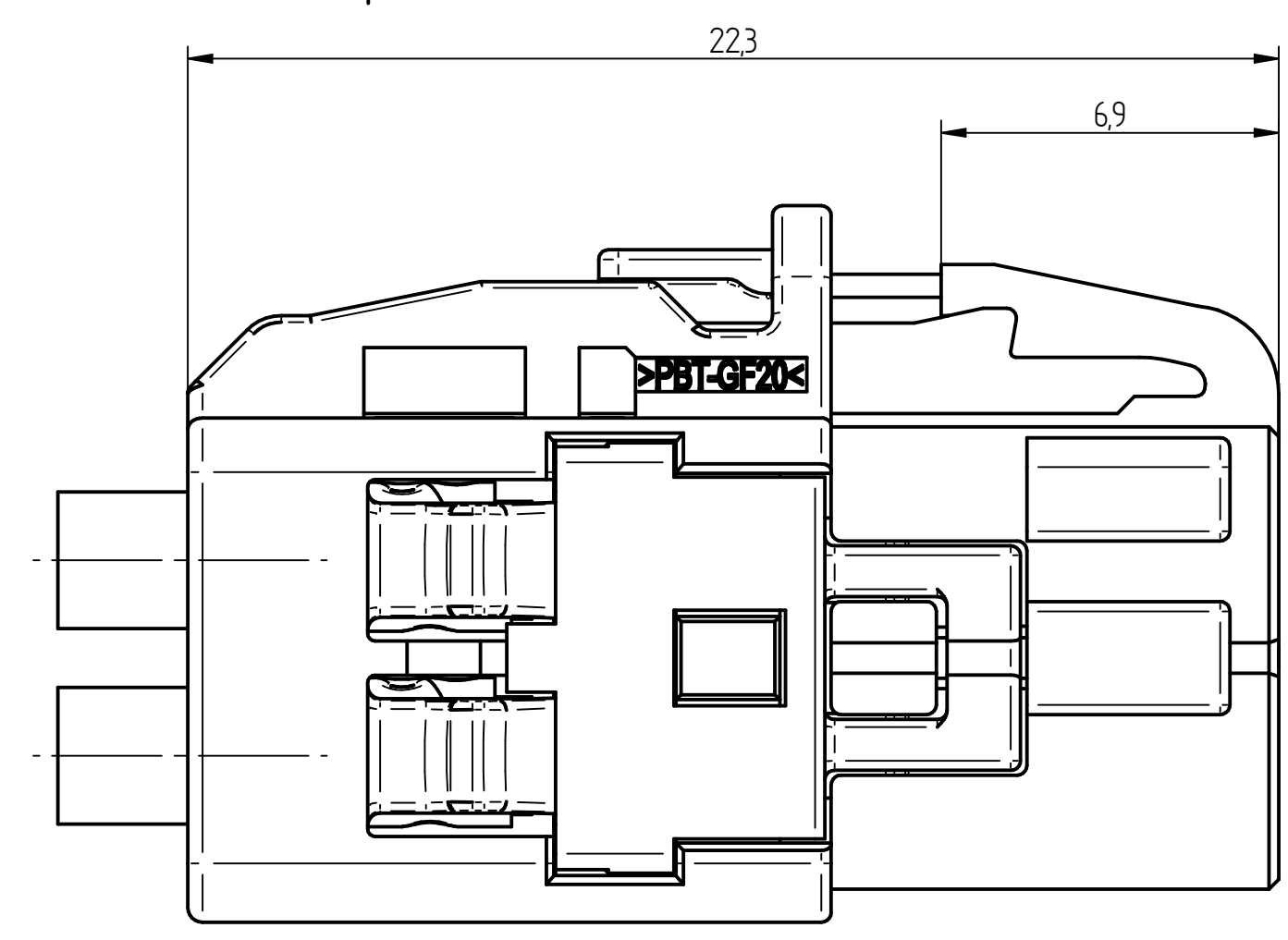
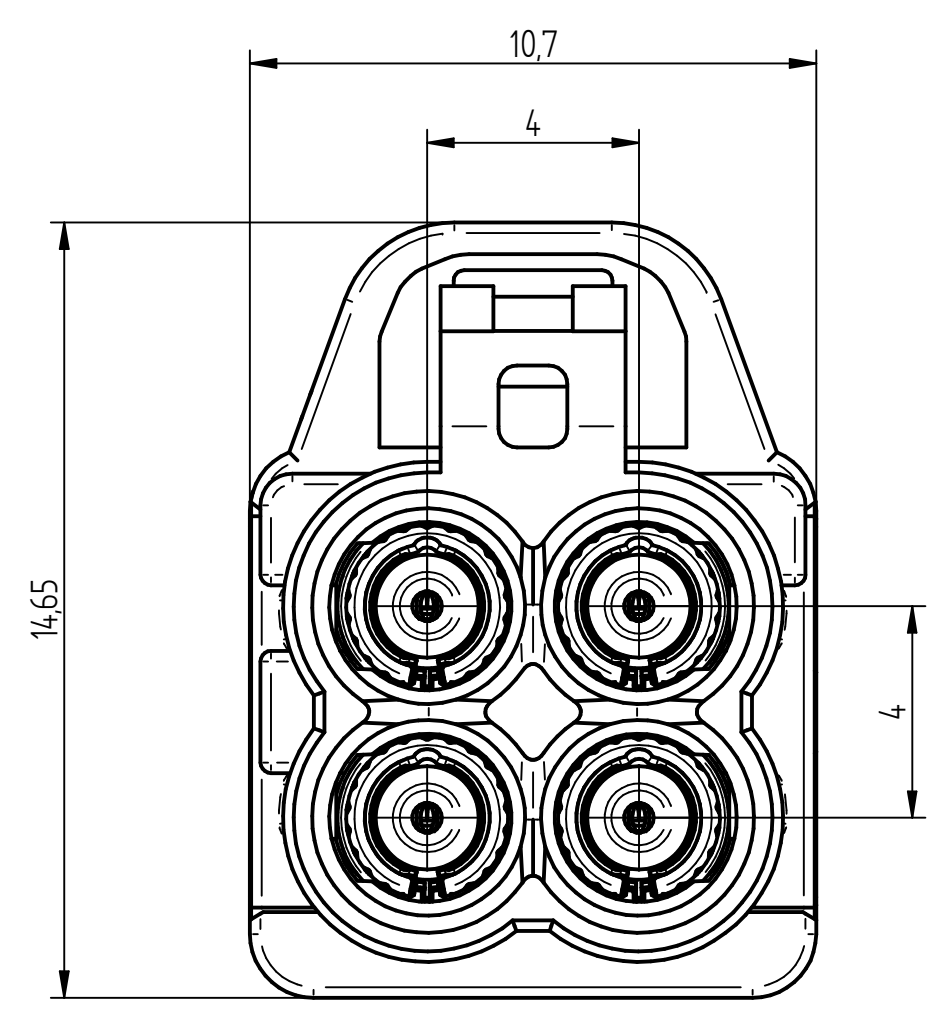


Status Development



| Revision history | | | | |
|------------------|------|------------|------|------|
| Change ID | Rev. | Alteration | Date | Name |
| | | | | |
| | | | | |
| | | | | |
| | | | | |
| | | | | |
| | | | | |
| | | | | |

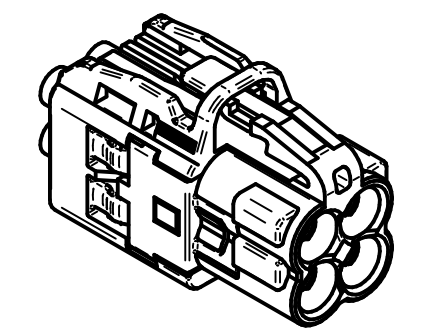
PRELIMINARY
This drawing is not replaced by changing

Die Variablen X, Y und Z müssen in der Zeichnungsnummer festgelegt werden, wenn eine Bestellung ausgelöst wird.

The variable X, Y and Z have to be stated within the drawing number, when an order is placed.

Connector Version : "C" identifies a "VW Cavity Compliant Version"

| Coding type "X" | | | Part list (BOM) | | | |
|-----------------|----------------|-----------------|-----------------|-----------------|----------|--------------------------------|
| Coding | color | Similar RAL-No. | | Part | Material | Variable "Z"=Plating / surface |
| A | black | 9005 | | | | 7 |
| B | white | 9010 | 1 | Coding housing | PBT | - |
| C | blue | 5012 | 2 | Insulator | LCP | - |
| D | bordeauxviolet | 4004 | 3 | Contact socket | Bronze | Au |
| E | green | 6017 | 4 | Cable cut | - | - |
| F | brown | 8011 | 5 | Support sleeve | Bronze | Sn |
| G | grey | 7036 | 6 | Crimp sleeve | Bronze | Sn |
| H | ligh pink | 3015 | 7 | Outer conductor | Bronze | Sn |
| J | beige | 1001 | 8 | Secondary lock | PBT | - |
| K | curry | 1027 | | | | |
| N | pastel green | 6019 | | | | |
| Z | waterblue | 5021 | | | | |



Scale 2:1

| Cable Group "Y" | Possible Cable Types | Conductor ϕ | Insulation ϕ | Shield ϕ | Jacket ϕ |
|-----------------|----------------------|------------------|-------------------|---------------|---------------|
| 2 | RG-174 LL | 0,525 | 1,57 | NA | 2,67 |
| 3 | RTK031/ Dacar302 | 0,81 | 2,1 | 2,3 | 3,3 |
| 5 | RTK044 | 0,86 | 2,49 | 2,59 | 3,53 |

| | | | | |
|-----------------------|----------------------|---------------------------------|--------------------|--------------------|
| Projection - ISO 5456 | Unit system - Metric | General tolerance | Note | Document type |
| | ALL dim. in [mm] | ISO 2768 mH | | Acceptance drawing |
| Created by | Approved by | Title | Drawing number | Scale |
| ifasold | | MCAH cable jack 4-pole straight | 5628.MCAH.2X10.CYZ | 7:1 |
| IMS CONNECTOR SYSTEMS | | Supplementary title | Rev. | Date of issue |
| | | MCAH Kabelbuchse 4-pol. gerade | A 01 | 14.04.2022 |
| | | Lang. | Sheet | |
| | | EN | 1/1 | |

ISO 16016
All copyrights reserved. This drawing can neither be copied nor made available to third parties or competitor companies without our written permission.