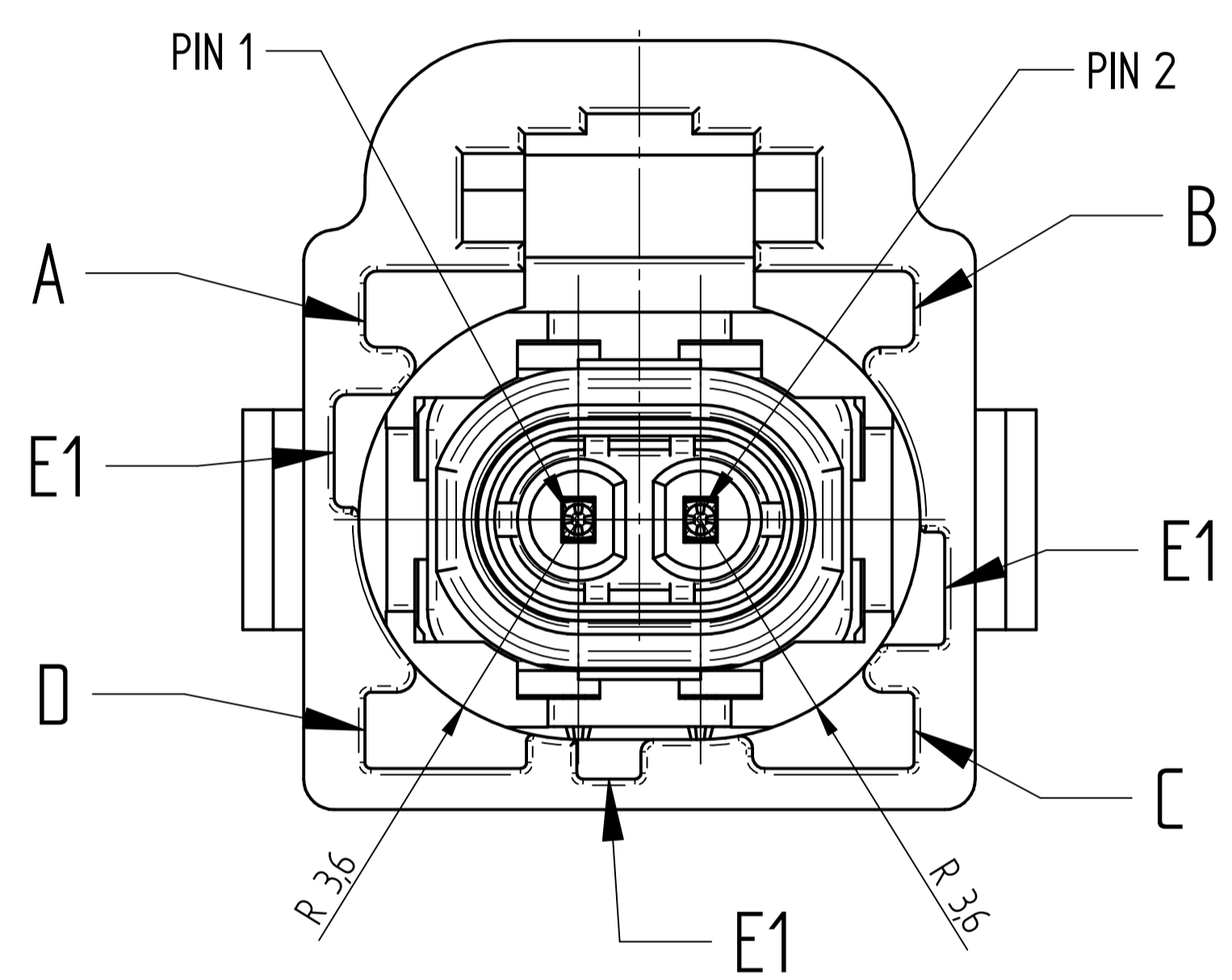
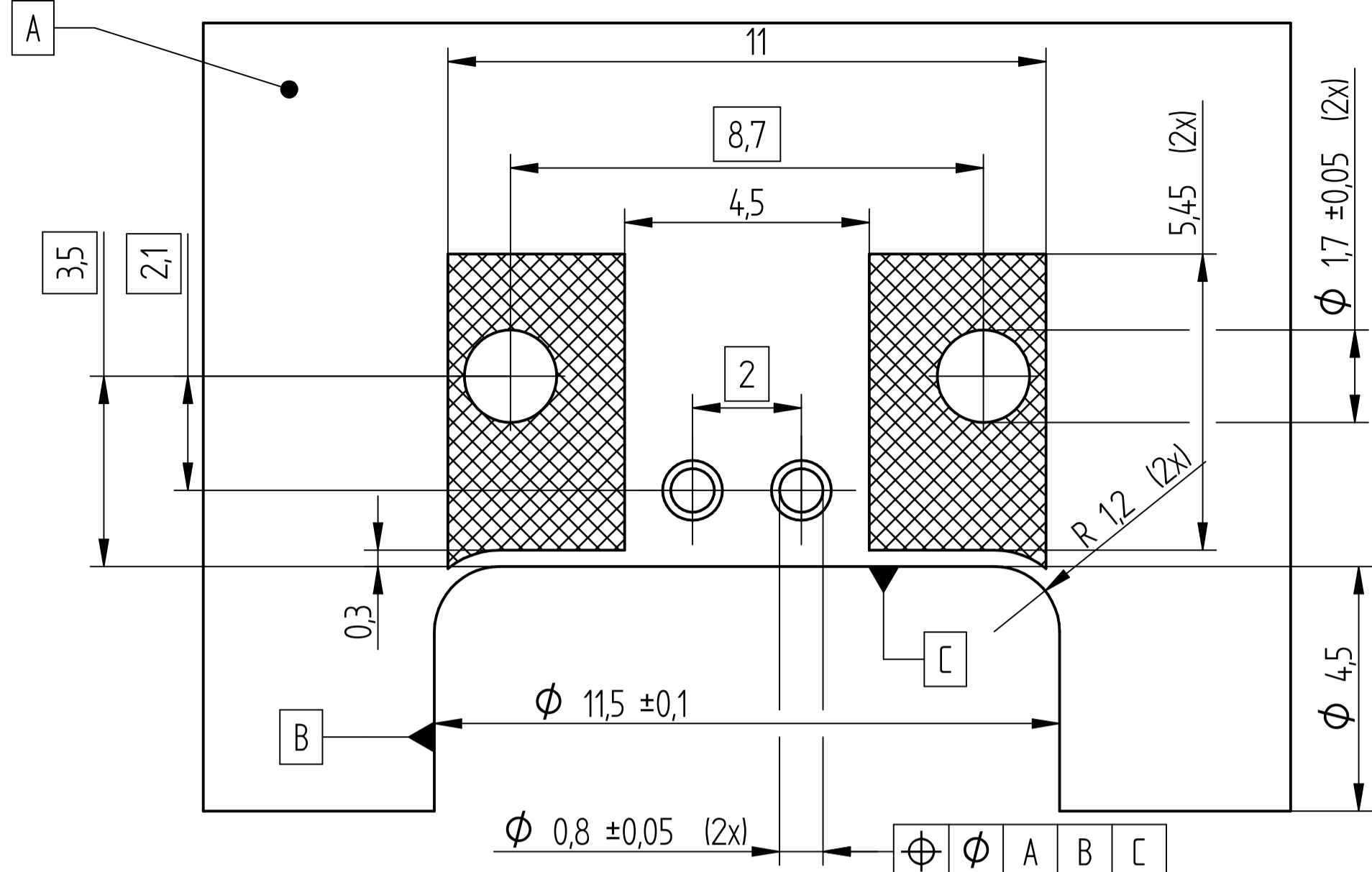
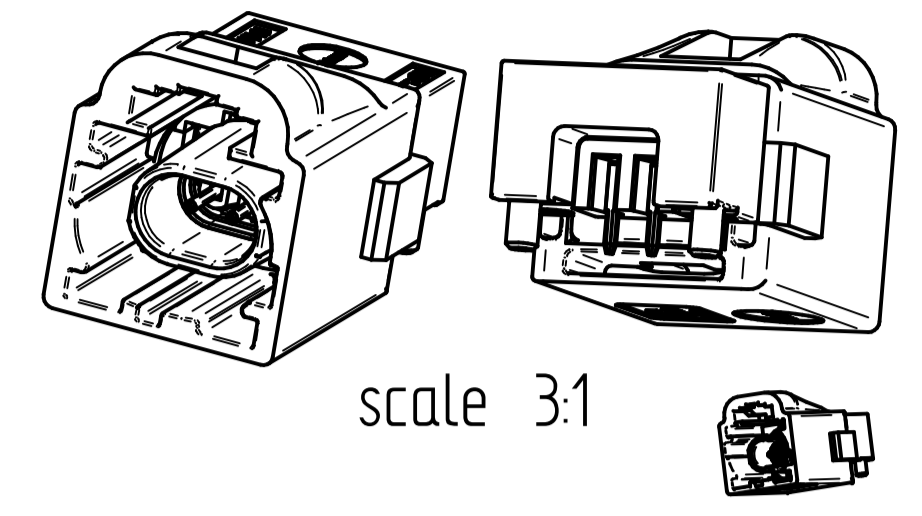


Status Development

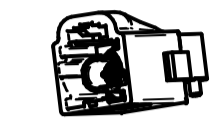
Recommended PCB Footprint



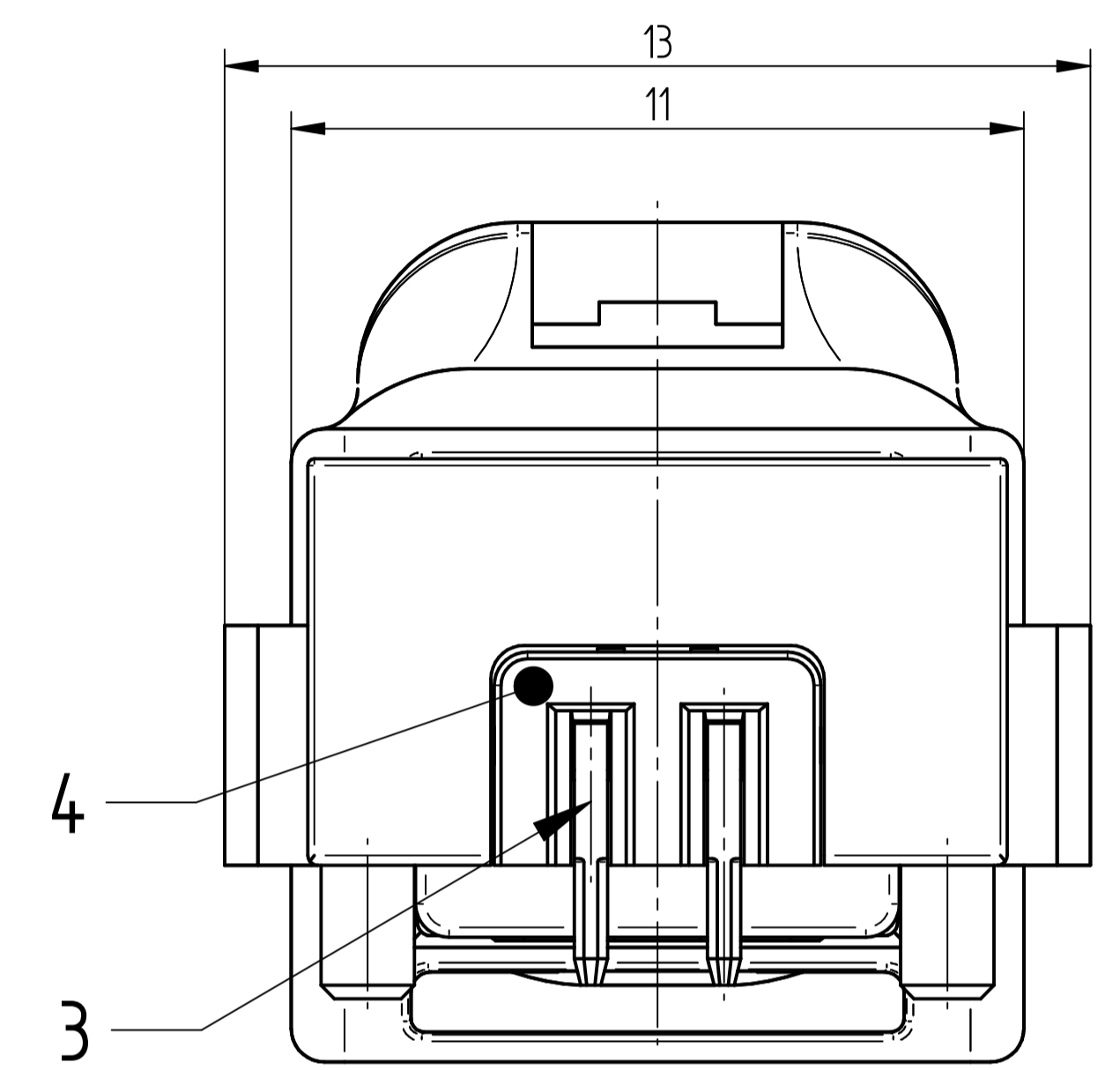
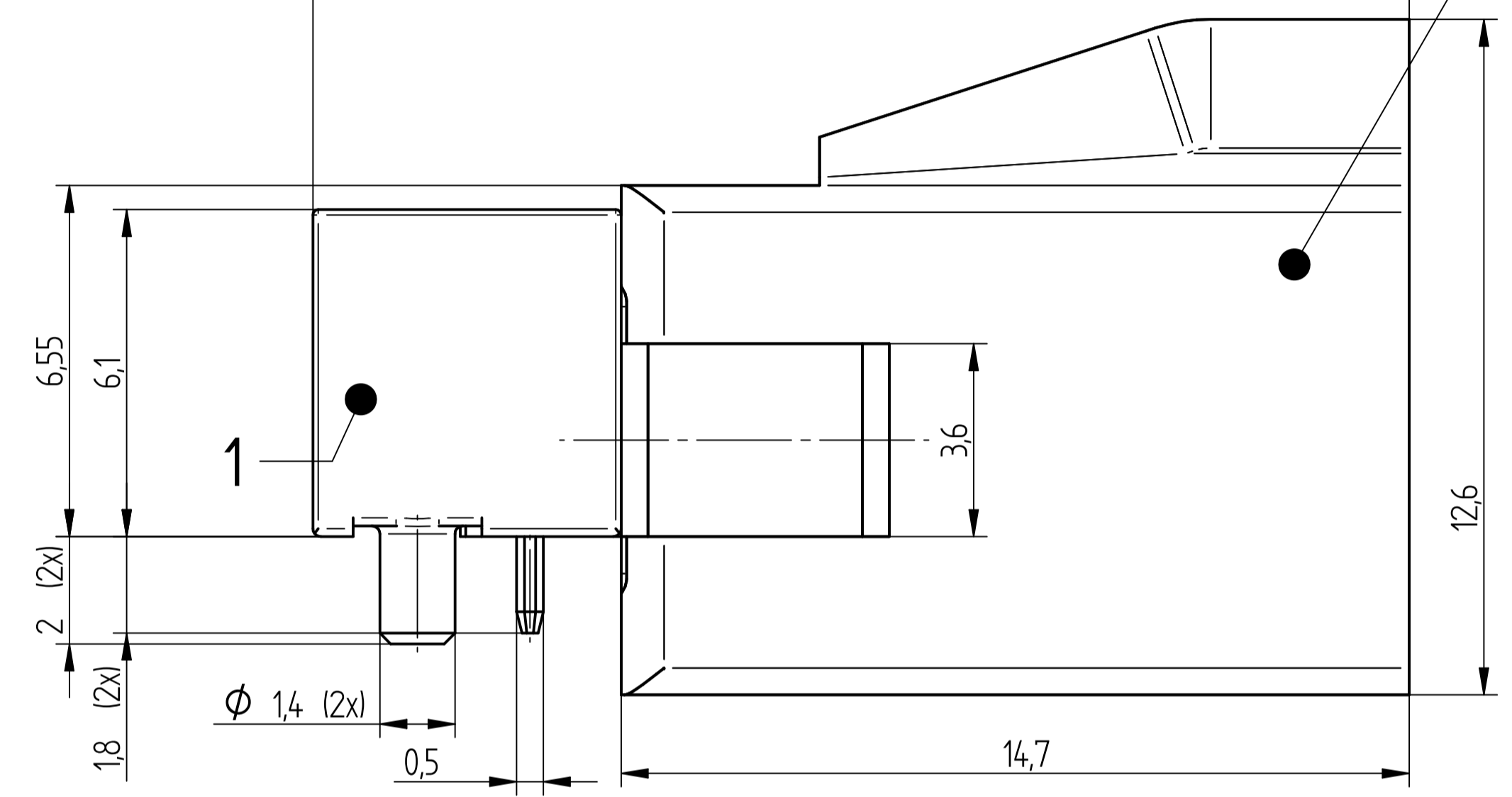
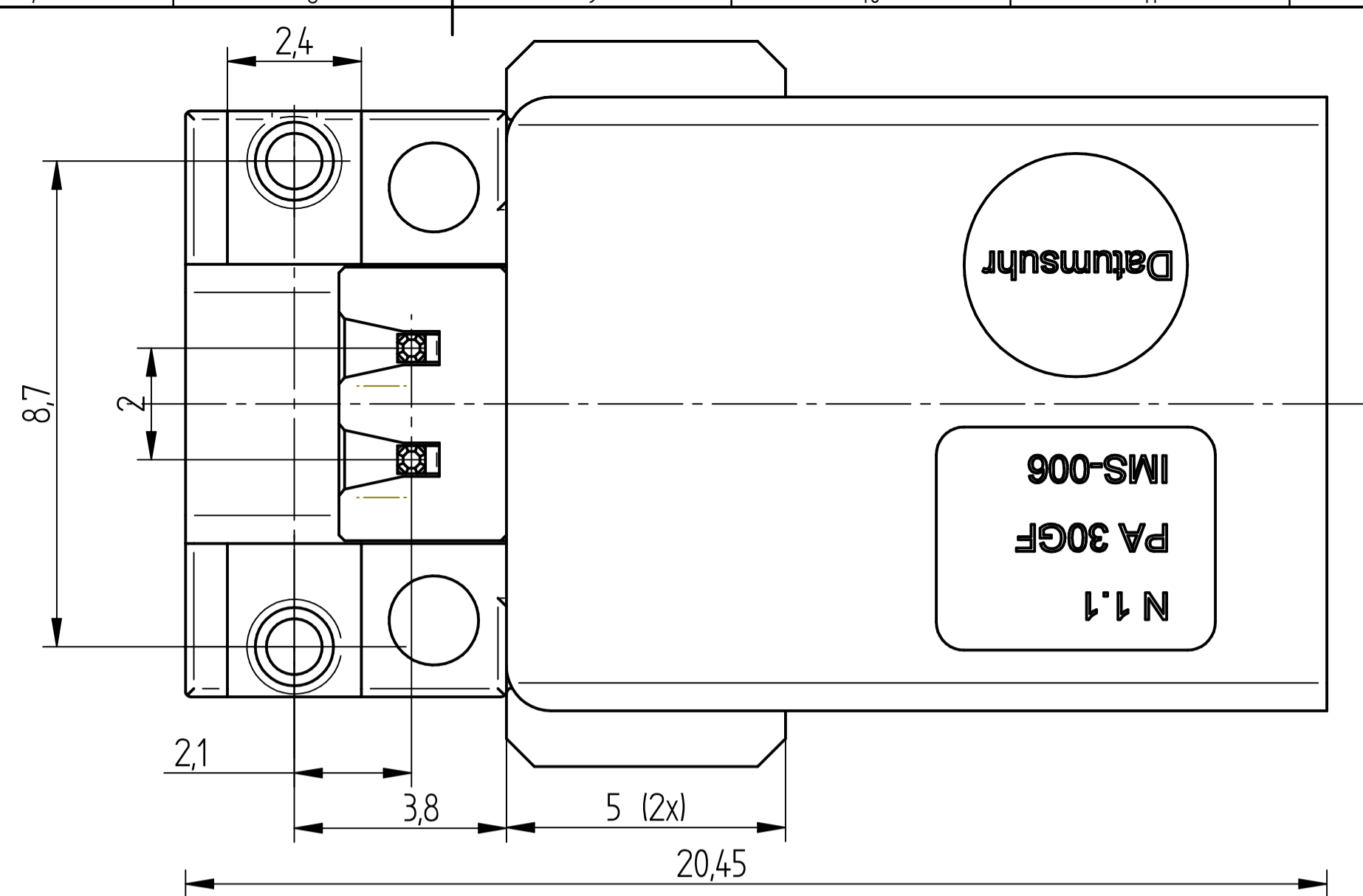
Revision history				
Change ID	Rev.	Alteration	Date	Name
223516	A02	New drw. frame, surface revise	28.01.22	phalmosi



scale 3:1



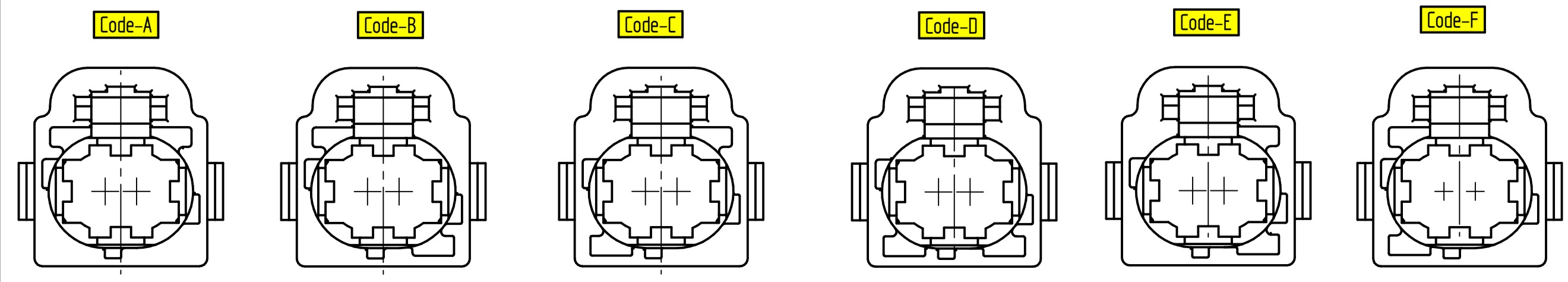
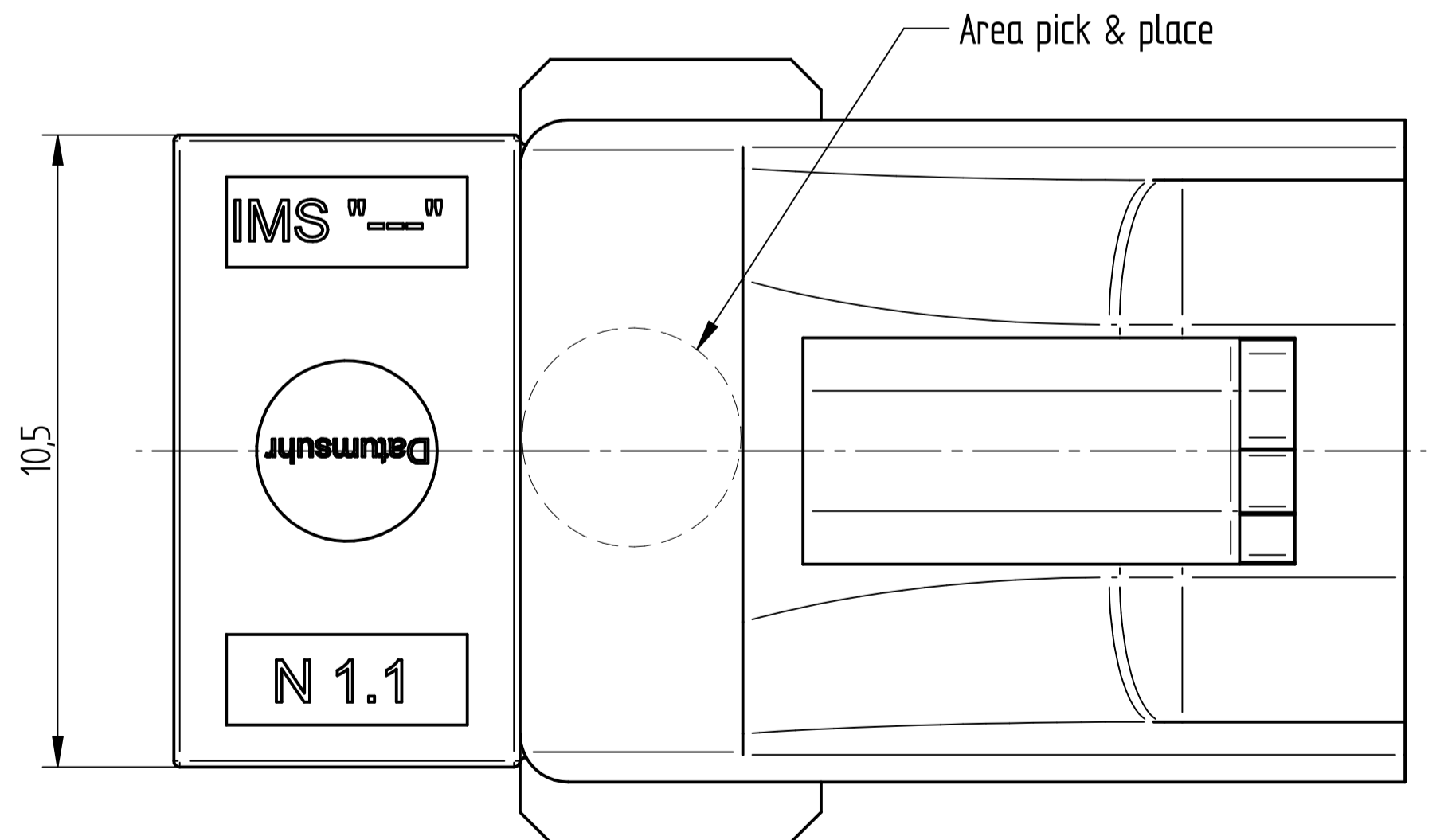
scale 1:1



Kodierungsvariante X muss in Zeichnungsnummer festgelegt werden, wenn eine Bestellung ausgelöst wird.
Coding Type X have to be stated within the drawing number, when an order is placed

Kodierung Z ist dargestellt
Coding Z is shown

Kodierungsvariante Coding Type "X"	Kodiernut A Coding A	Kodiernut B Coding B	Kodiernut C Coding C	Kodiernut D Coding D	Kodiernut E1 Coding E1	Kodiernut 6 Coding 6	Farbe color	ähnlich RAL similar RAL
	A	offen open	offen open	gesperrt closed	gesperrt closed	offen open	tiefschwarz jet black	9005
	B	offen open	gesperrt closed	offen open	gesperrt closed	offen open	reinweiss pure white	9010
	C	gesperrt closed	offen open	gesperrt closed	offen open	offen open	lichtblau light blue	5012
	D	gesperrt closed	gesperrt closed	offen open	offen open	offen open	bordeauxviolett claret violet	4004
	E	gesperrt closed	offen open	offen open	gesperrt closed	offen open	maigrün may green	6017
	F	offen open	gesperrt closed	gesperrt closed	offen open	offen open	nussbraun nut brown	8011
	Z	offen open	offen open	offen open	offen open	offen open	wasserblauwate rblue	5021



Part	Material	
1	Housing	diecast min. 2 µm Sn over Ni
2	Plastic Housing	PA GF30 --
3	Centre Pin contact	brass min. 0,12 µm Au over Ni
4	Insulator	SPS --

Projection - ISO 5456	Unit system - Metric	General tolerance	Note	Document type
	All dim. in [mm]	ISO 2768 mH		Acceptance drawing
Created by	Approved by	Title	Supplementary title	Drawing number
cmuellingner		p.c.b mount angle plug 12.00 pos	Anbauwinkelstecker 12.00 pos	5616:HTP:1X20:00Z
		Rev.	Date of issue	Lang.
		A 02	12.05.2020	EN
				Sheet
				1/1

ISO 15006
All copyrights reserved. This drawing can neither be copied nor made available to third parties or competitor companies without our written permission.