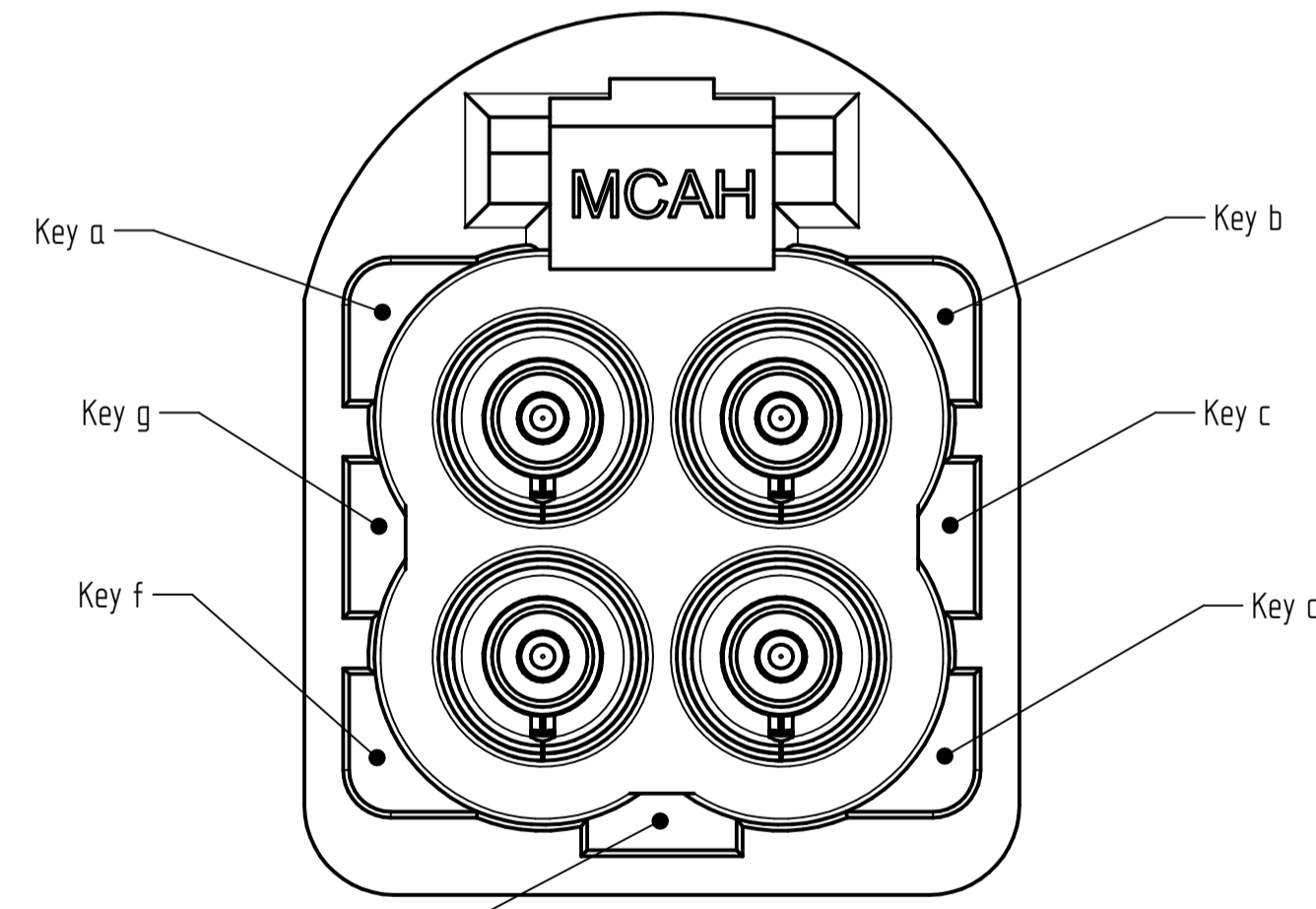
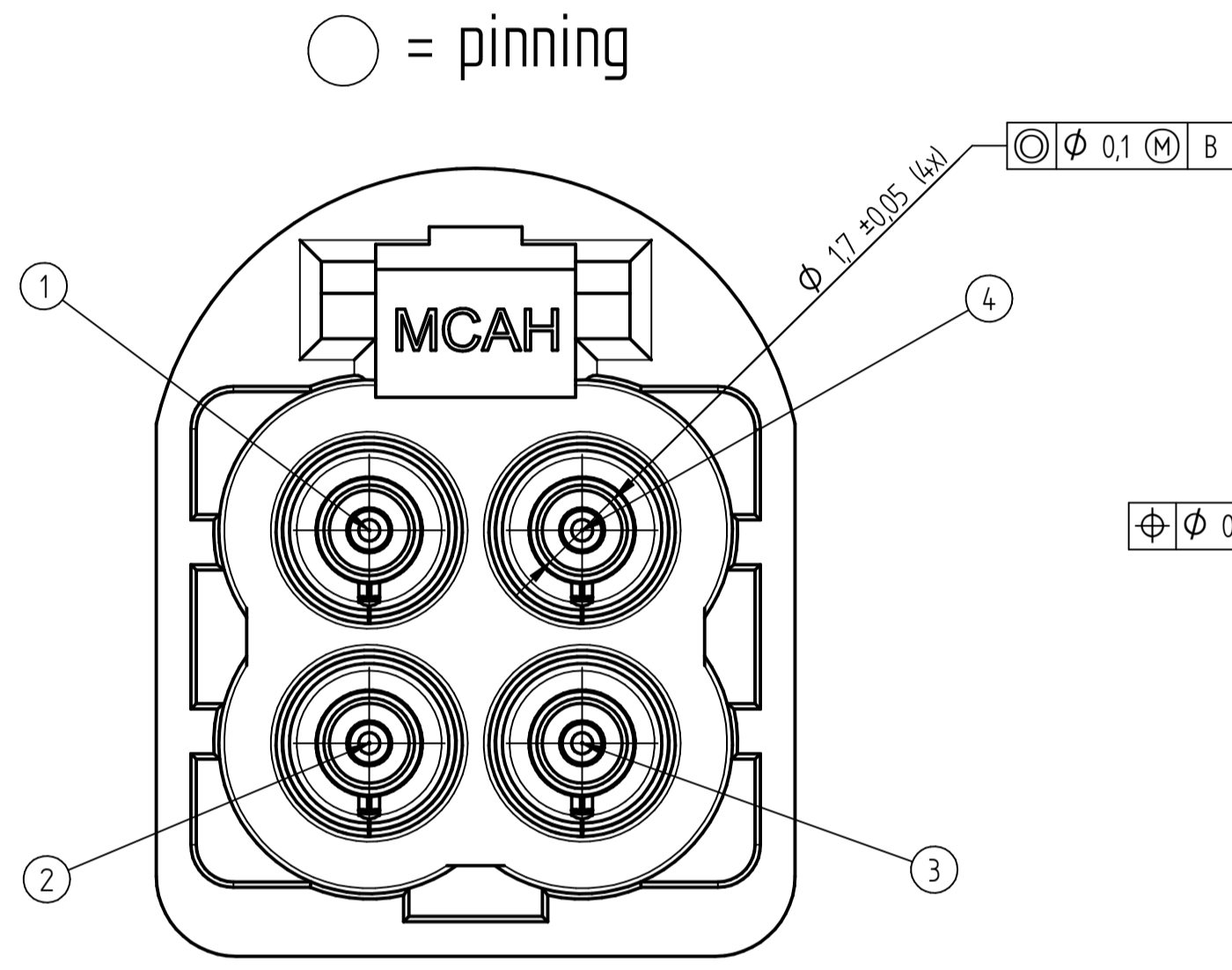
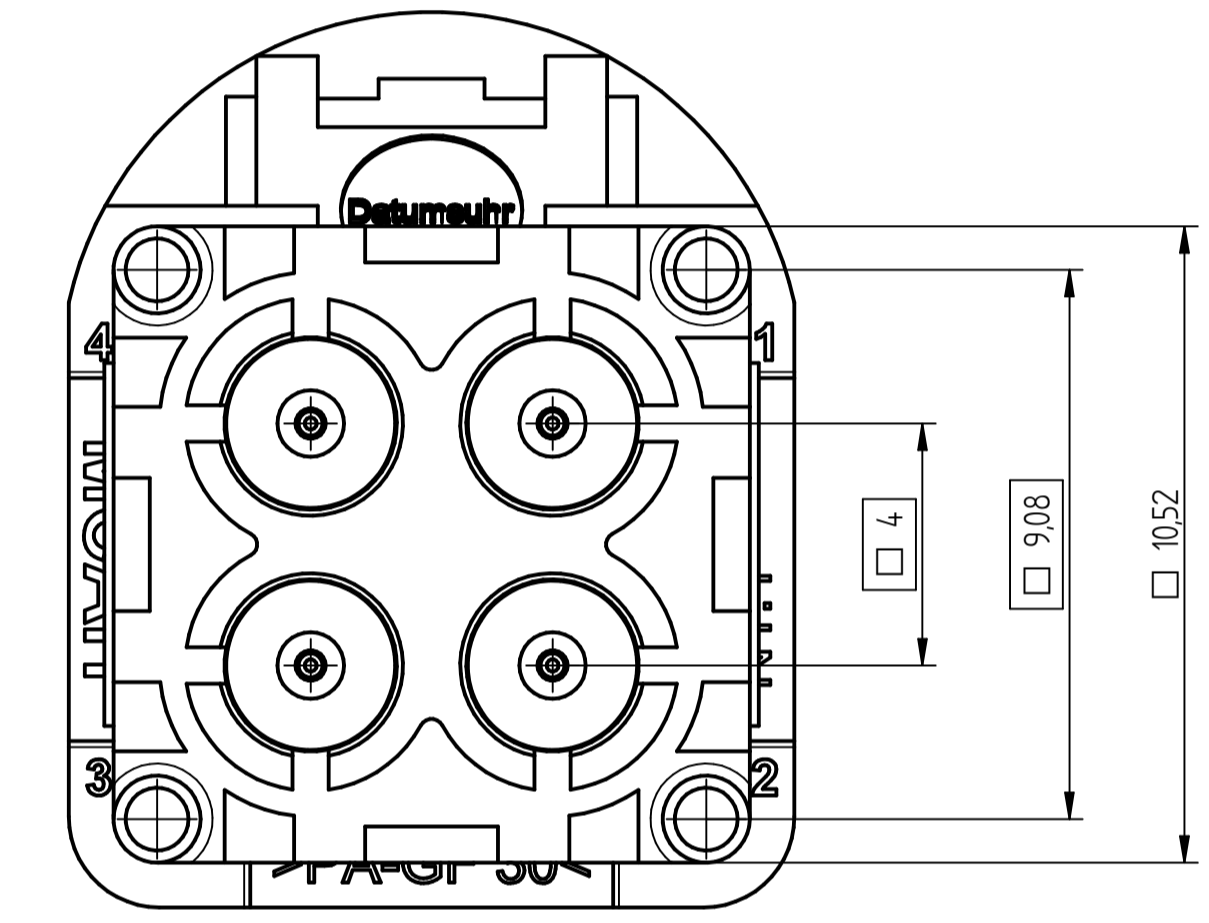
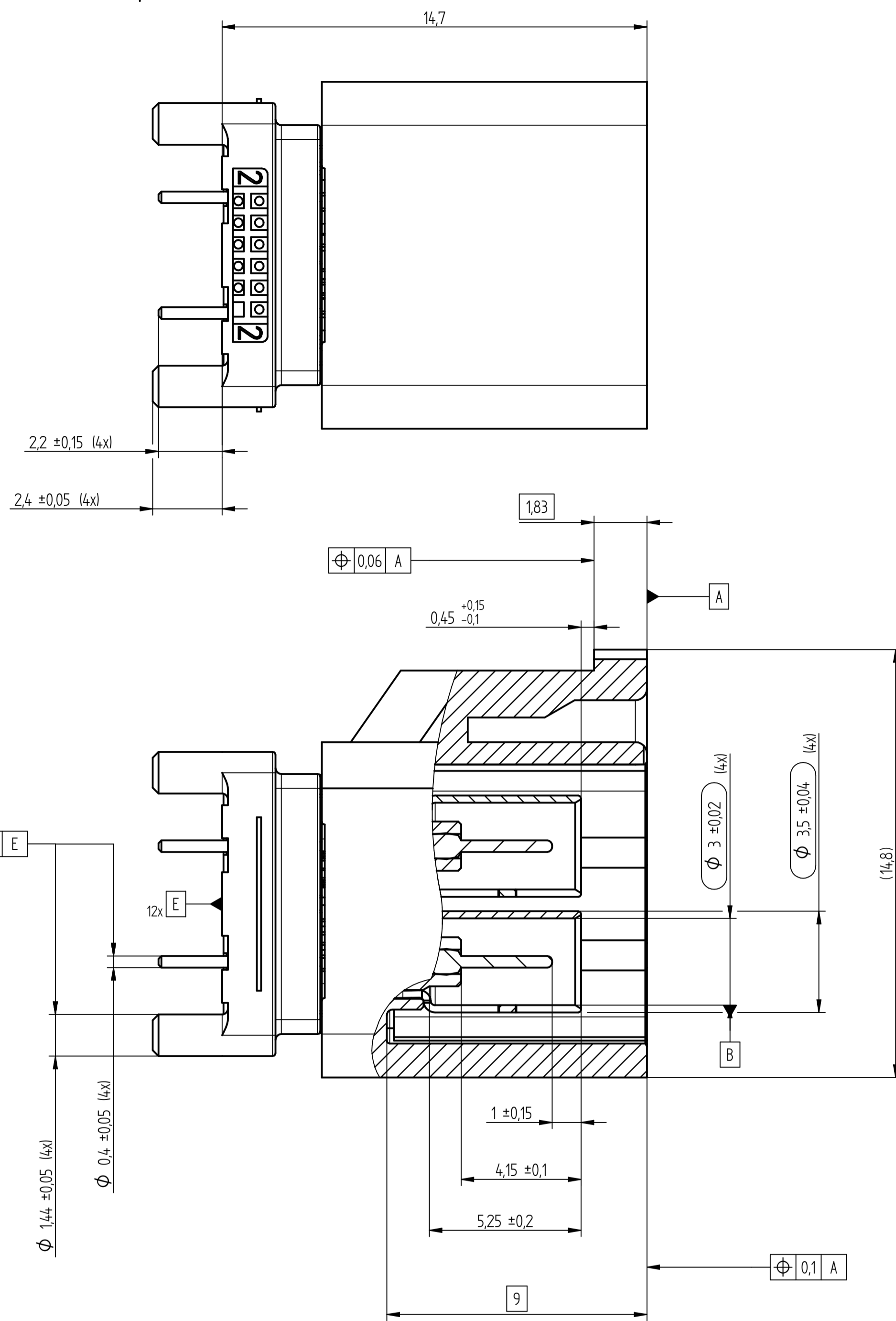


Revision history				
Change ID	Rev.	Alteration	Date	Name
RR 224394	A02	Neues PCB-Layout/Zeichnungsrahmen	26.04.22	mschaeuble
Design	A03	Added detailed PCB Layout/ coding G	14.09.22	mschaeuble
Design	A04	Changed shape & position tolerances	14.12.22	mschaeuble



Kodierung Z ist dargestellt
Coding Z is shown

Kodierungsvariante "X" muss in Zeichnungsnummer festgelegt werden, wenn eine Bestellung ausgelöst wird.

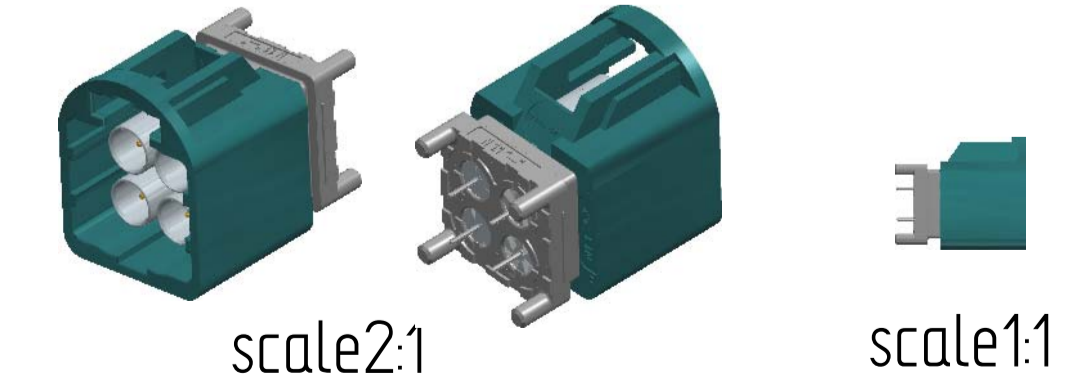
Coding type "X" have to be stated within the drawing number, when an order is placed.

Kodierungsvariante Coding Type "X"	Key	Farbe color	ähnlich RAL similar RAL
	A	a-b-c tiefschwarz jet black	9005
	B	b-f-g reinweiss pure white	9010
	C	a-d-g lichtblau light blue	5012
	D	c-d-f bordeauxviolett claret violet	4004
	E	a-e-f maigrün may green	6017
	F	b-d-e nussbraun nut brown	8011
	G	c-e-g Platingrau platinum grey	7036
	Z	a-b-c-d-e-f-g wasserblau waterblue	5021

Part list (BOM)

Part	Material	Variable Z = Plating/ surface code	
Outer contact (PCBI)	zinc alloy	7	
Outer contact (Interface)	bronze	Sn	
Housing	PA GF-30	Sn	
Center contact - Interface - PCB	bronze	Au	Sn
Dielectric	LCP	-	

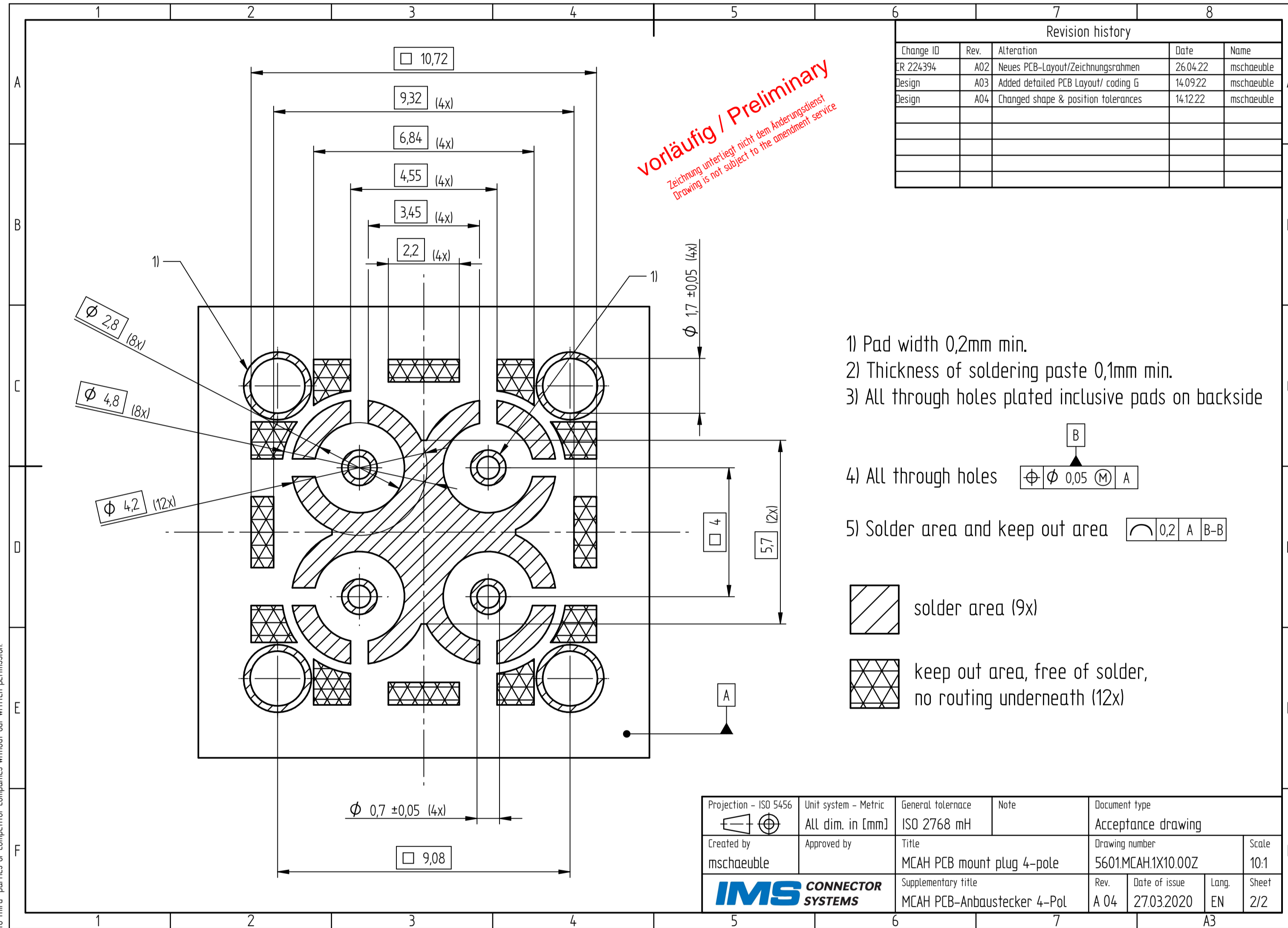
vorläufig / Preliminary
Zeichnung unterliegt nicht dem Änderungsdienst
Drawing is not subject to the amendment service



Projection - ISO 5456	Unit system - Metric	General tolerance	Note	Document type
	ALL dim. in (mm)	ISO 2768 mH		Acceptance drawing
Created by mschaeuble	Approved by	Title MCAH PCB mount plug 4-pole	Supplementary title MCAH PCB-Anbaustecker 4-Pol	Drawing number 5601MCAH1X10.00Z
Rev.	Date of issue	Lang.	Sheet	Scale
A 04	27.03.2020	EN	1/2	8:1

ISO 9006
 All copyrights reserved. This drawing can neither be copied nor made available to third parties or competitor companies without our written permission.

Status Development



Revision history				
Change ID	Rev.	Alteration	Date	Name
FR 224394	A02	Neues PCB-Layout/Zeichnungsrahmen	26.04.22	mschaeuble
Design	A03	Added detailed PCB Layout/ coding G	14.09.22	mschaeuble
Design	A04	Changed shape & position tolerances	14.12.22	mschaeuble

- 1) Pad width 0,2mm min.
- 2) Thickness of soldering paste 0,1mm min.
- 3) All through holes plated inclusive pads on backside

- 4) All through holes $\text{⌀} \text{ } \phi \text{ } 0,05 \text{ } \text{Ⓜ} \text{ } A$
- 5) Solder area and keep out area $\text{Ⓜ} \text{ } 0,2 \text{ } A \text{ } B-B$

- solder area (9x)
- keep out area, free of solder, no routing underneath (12x)

Projection - ISO 5456 	Unit system - Metric All dim. in [mm]	General tolerance ISO 2768 mH	Note	Document type Acceptance drawing
Created by mschaeuble	Approved by	Title MCAH PCB mount plug 4-pole	Drawing number 5601MCAH1X10.00Z	Scale 10:1
		Supplementary title MCAH PCB-Anbaustecker 4-Pol	Rev. A 04	Date of issue 27.03.2020
			Lang. EN	Sheet 2/2