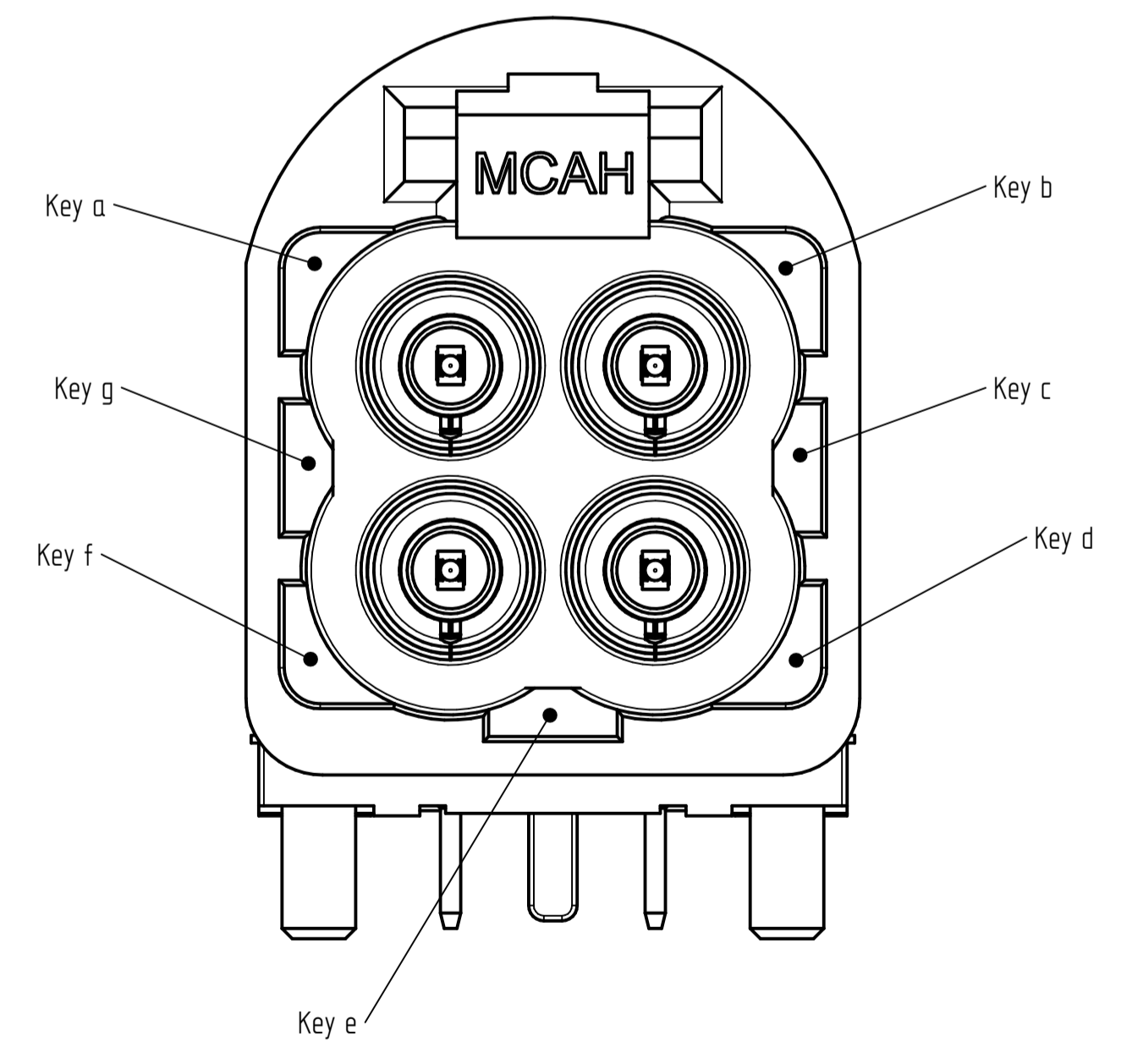
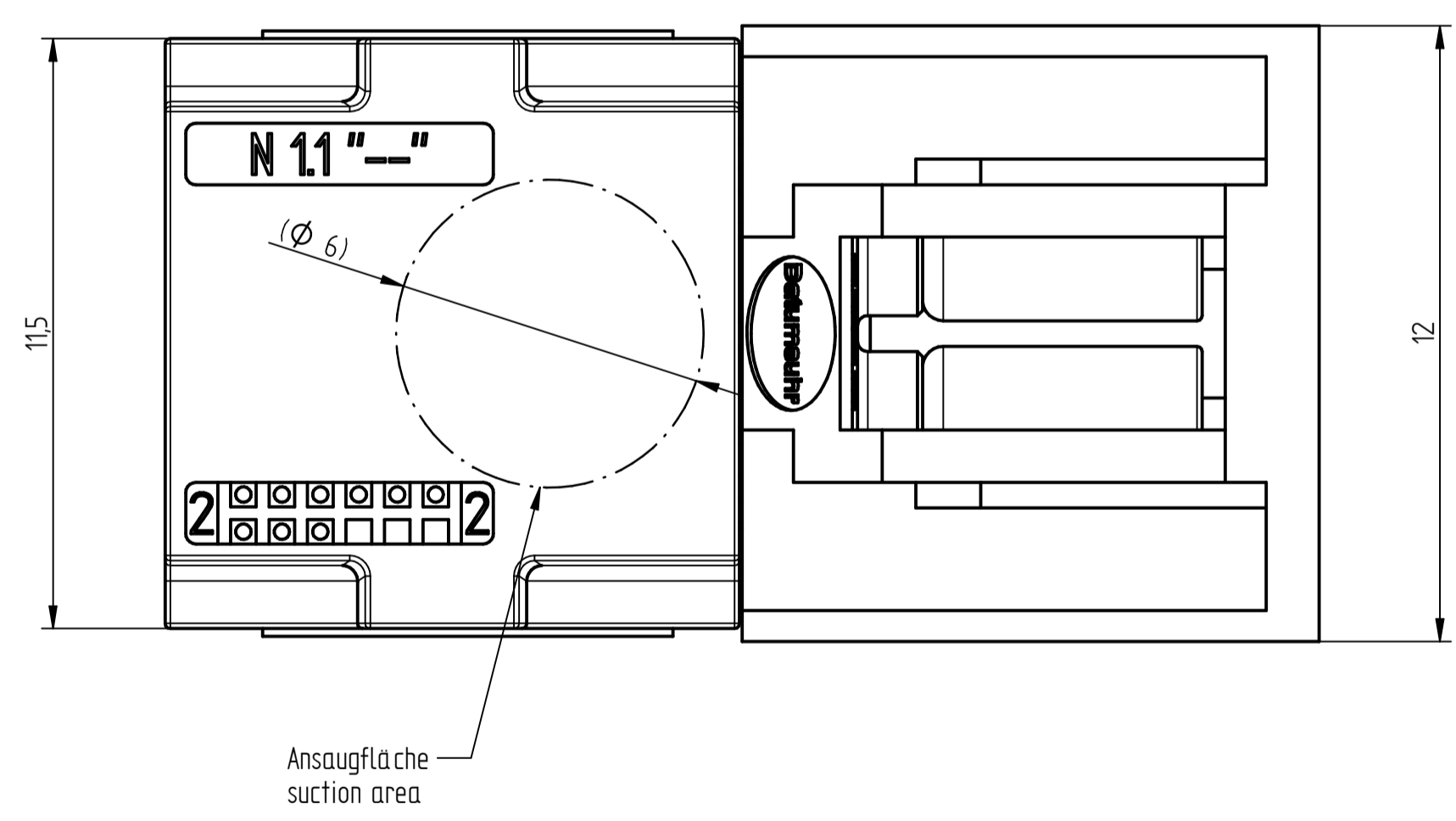
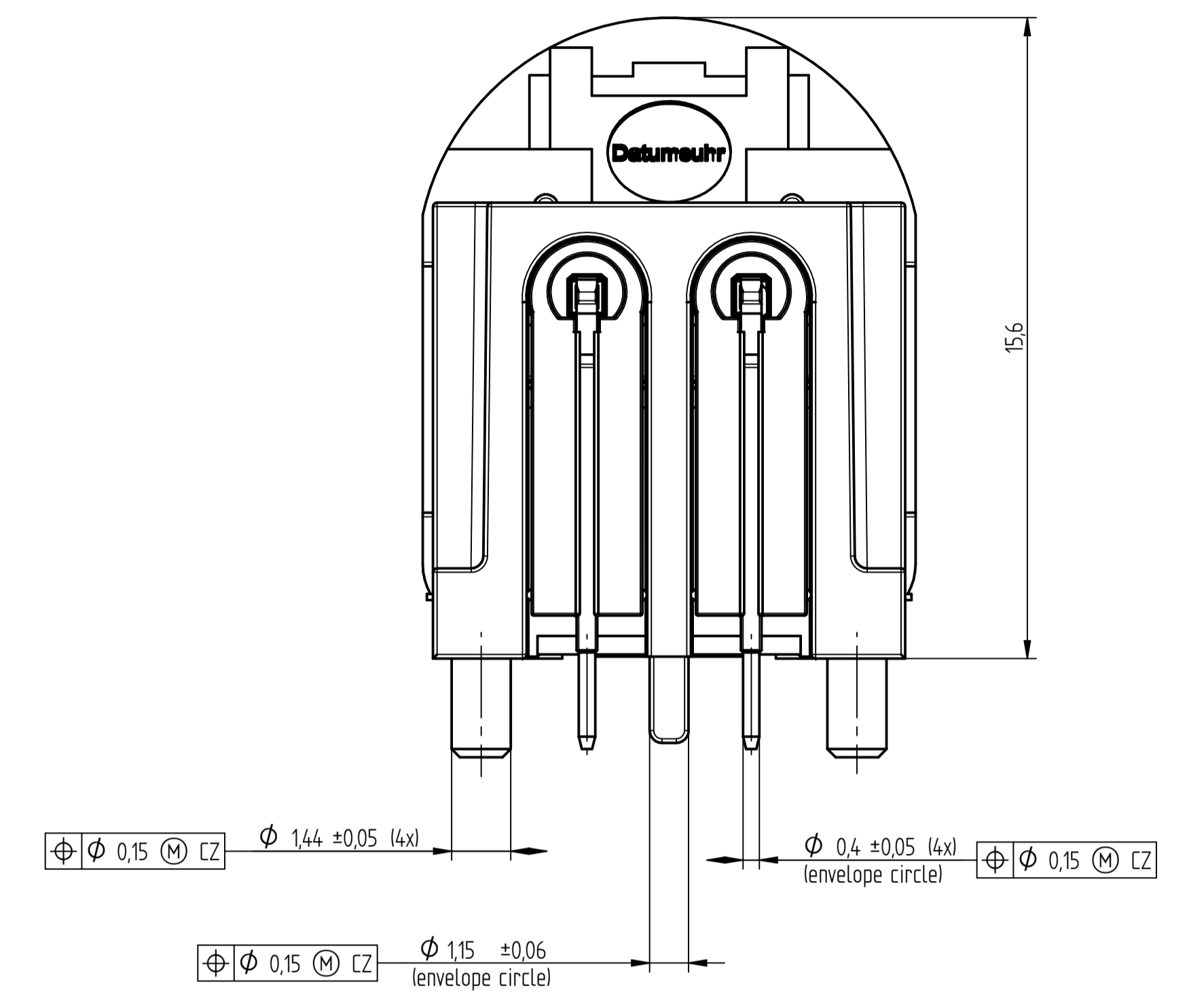
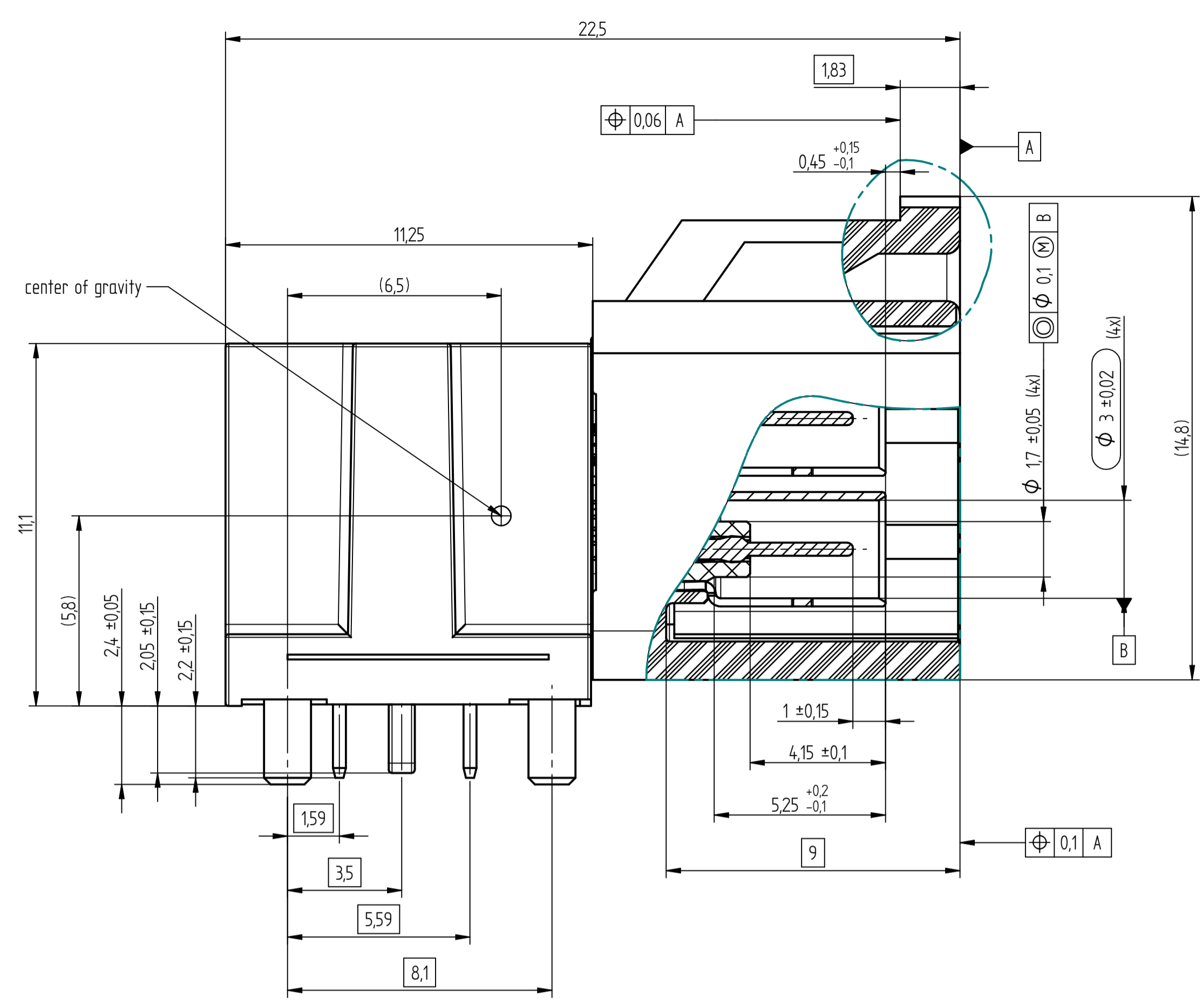
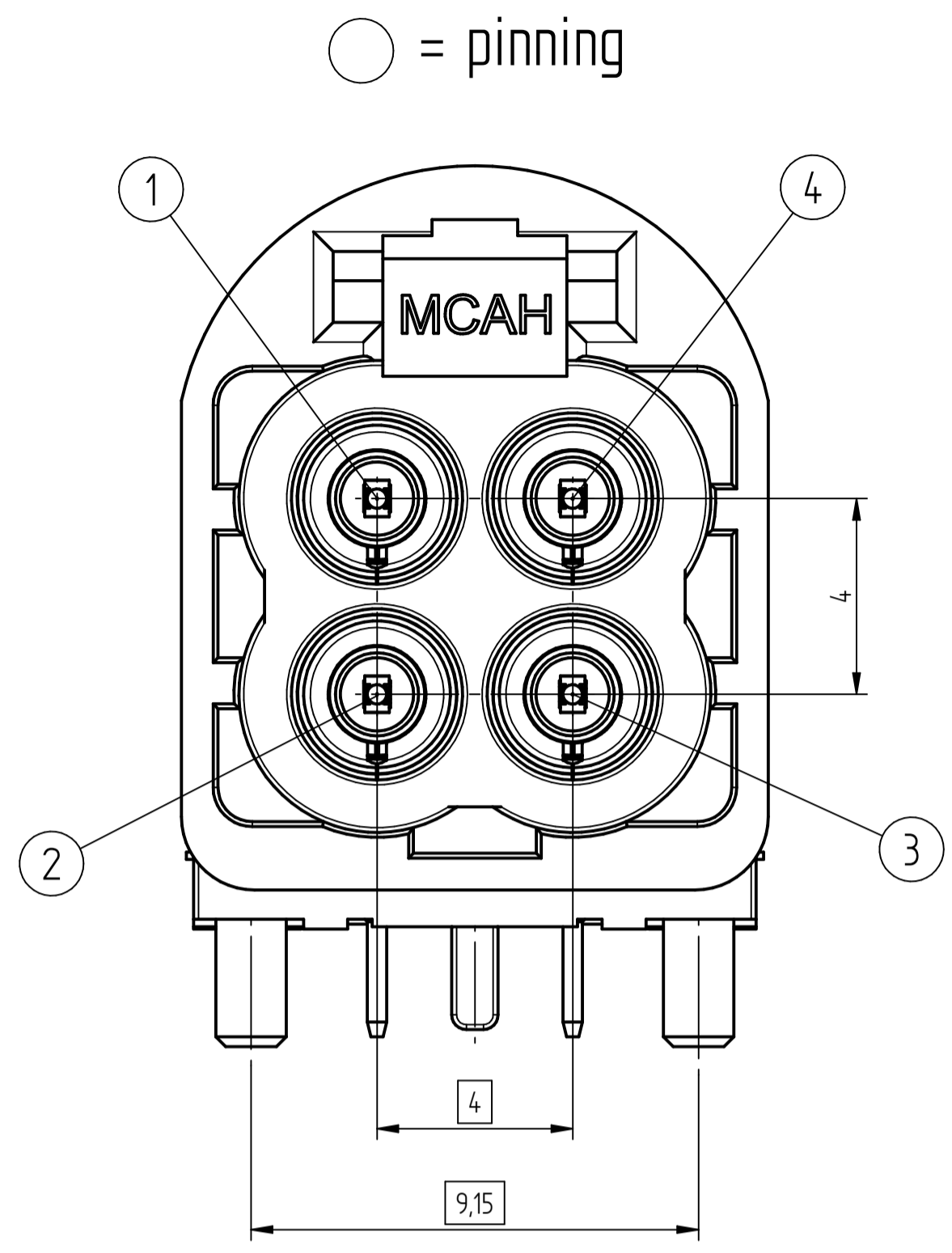


Revision history				
Change ID	Rev.	Alteration	Date	Name
Design	A02	New master drawing	010622	mschaeuble
Design	A03	Changed dimensions	070622	mschaeuble
Design	A04	Changed sleeve	290722	mschaeuble
Design	A05	Added coding /r removed dimensions	041122	mschaeuble



Kodierung Z ist dargestellt  
Coding Z is shown

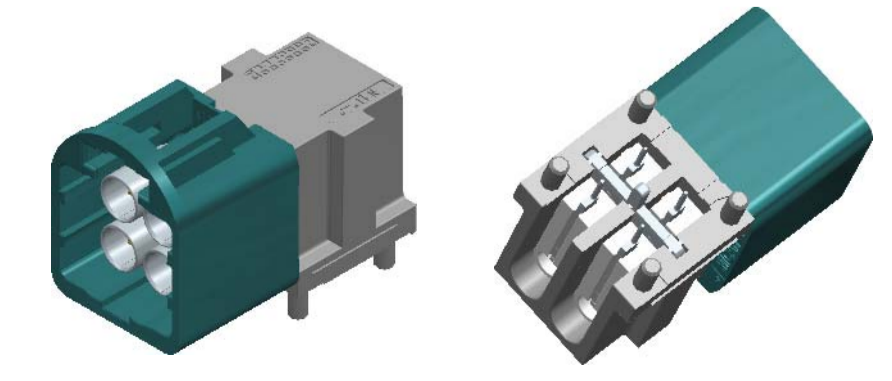
Kodierungsvariante "X" muss in Zeichnungsnummer festgelegt werden, wenn eine Bestellung ausgelöst wird.

Coding type "X" have to be stated within the drawing number, when an order is placed.

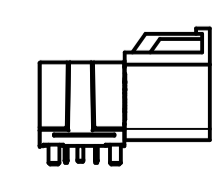
Kodierungsvariante Coding Type "X"	Key	Farbe color	ähnlich RAL similar RAL
	A	a-b-c tiefschwarz jet black	9005
	B	b-f-g reinweiss pure white	9010
	C	a-d-g lichtblau light blue	5012
	D	c-d-f bordeauxviolett claret violet	4004
	E	a-e-f maigrün may green	6017
	F	b-d-e nussbraun nut brown	8011
	G	c-e-g Platingrau platinum grey	7036
	Z	a-b-c-d-e-f-g wasserblau waterblue	5021

Part	Material	Variable Z = Plating/ surface code
Outer contact (PCB)	zinc alloy	7
Outer contact (Interface)	bronze	Sn
Outer contact (Intermediate part)	zinc alloy	Sn
Housing	PA GF-30	-
Center contact - Interface	bronze	Au
- PCB		Sn
Dielectric	LCP	-

**vorläufig / Preliminary**  
Zeichnung unterliegt nicht dem Änderungsdienst  
Drawing is not subject to the amendment service



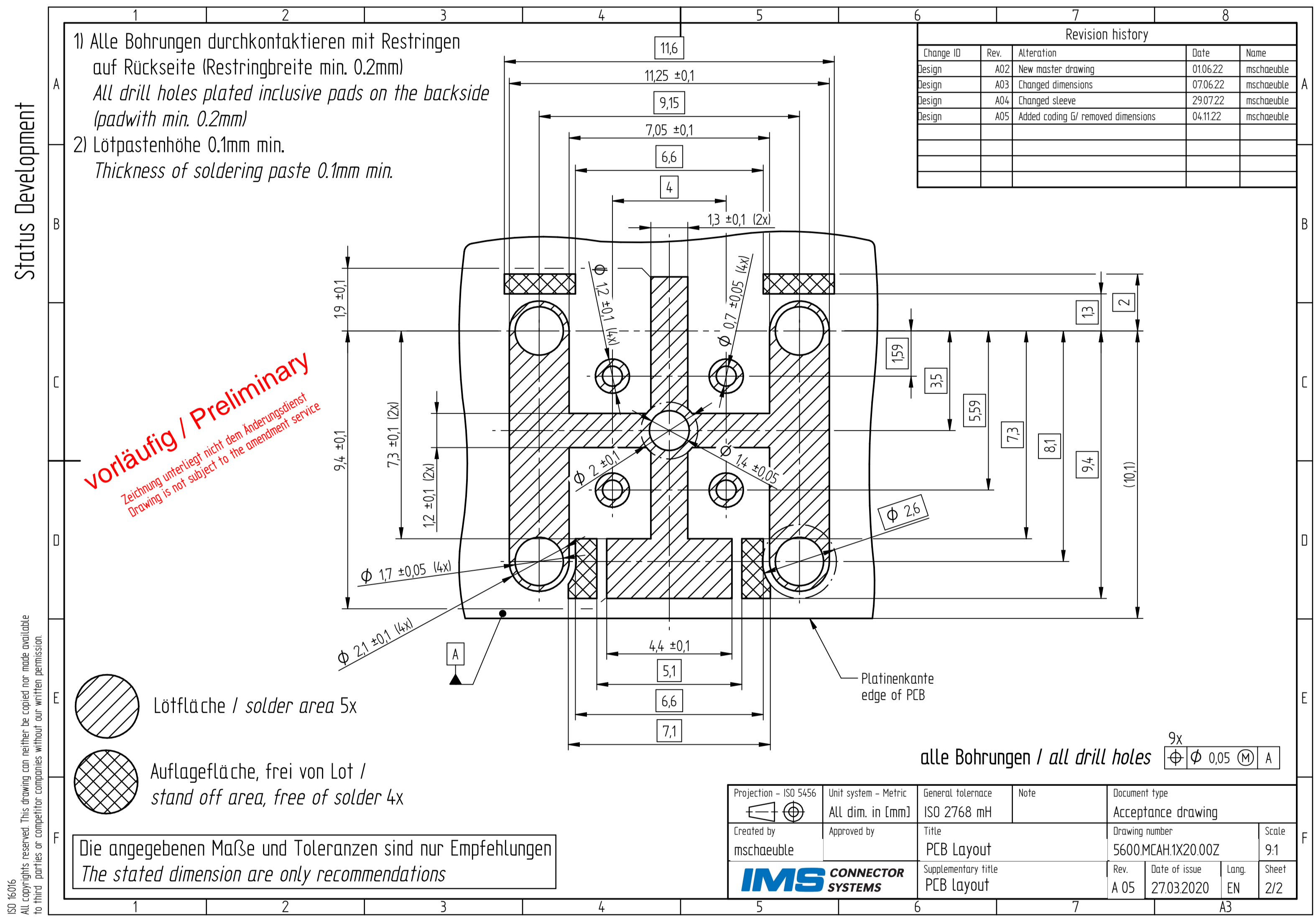
scale2:1



scale1:1

Projection - ISO 5456	Unit system - Metric	General tolerance	Note	Document type
ISO 2768 mH	ALL dim. in (mm)	ISO 2768 mH		Acceptance drawing
Created by mschaeuble	Approved by	Title MCAH PCB mount angle plug 4-pole	Supplementary title MCAH PCB-Anbauwinkelstecker 4-Pol	Drawing number 5600 MCAH1X20.00Z
Rev.	Date of issue	Lang.	Sheet	Scale 8:1
A 05	27.03.2020	EN	1/2	





- 1) Alle Bohrungen durchkontaktieren mit Restringen auf Rückseite (Restringbreite min. 0.2mm)  
*All drill holes plated inclusive pads on the backside (padwidth min. 0.2mm)*
- 2) Lötpastenhöhe 0.1mm min.  
*Thickness of soldering paste 0.1mm min.*

Revision history				
Change ID	Rev.	Alteration	Date	Name
Design	A02	New master drawing	01.06.22	mschaeuble
Design	A03	Changed dimensions	07.06.22	mschaeuble
Design	A04	Changed sleeve	29.07.22	mschaeuble
Design	A05	Added coding G/ removed dimensions	04.11.22	mschaeuble

**vorläufig / Preliminary**  
*Zeichnung unterliegt nicht dem Änderungsdienst*  
*Drawing is not subject to the amendment service*

- Lötfläche / solder area 5x
- Auflagefläche, frei von Lot / stand off area, free of solder 4x

Die angegebenen Maße und Toleranzen sind nur Empfehlungen  
*The stated dimension are only recommendations*

Projection - ISO 5456	Unit system - Metric	General tolerance	Note	Document type
	All dim. in [mm]	ISO 2768 mH		Acceptance drawing
Created by mschaeuble	Approved by	Title PCB Layout	Drawing number 5600MCAH1X20.00Z	Scale 9:1
IMS CONNECTOR SYSTEMS		Supplementary title PCB layout	Rev. A 05	Date of issue 27.03.2020
			Lang. EN	Sheet 2/2

ISO 9006  
 All copyrights reserved. This drawing can neither be copied nor made available to third parties or competitor companies without our written permission.