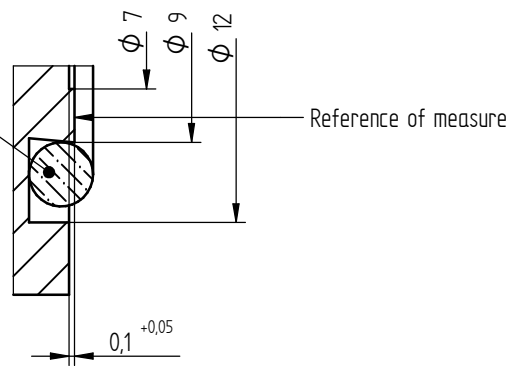
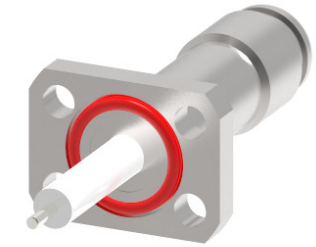
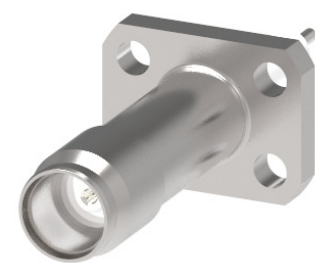


Dichtung / Gasket



Detail A
10:1



				general tolerance ISO 2768 mH		scale: 5:1	
				date 14.05.19	name rschwaer	NEX10(f)-Flanschbuchse NEX10(f)-Flange mount jack 5550.NEX.2018.19'	
generate checked	name rschwaer						
nr. PEC-200000395-01	rev. α		Add. p. cap alteration	09.08.19 date	RSC name		